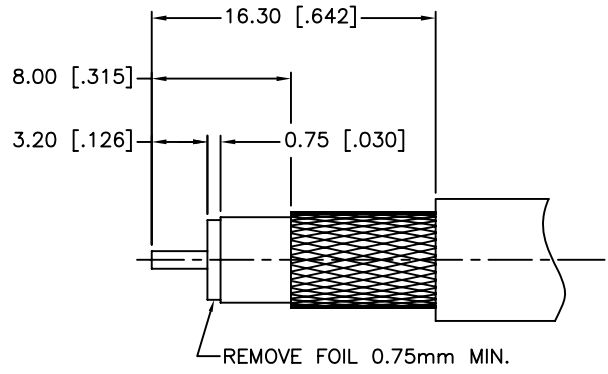
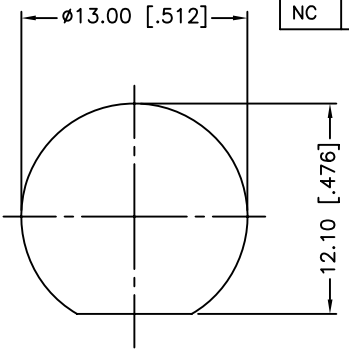


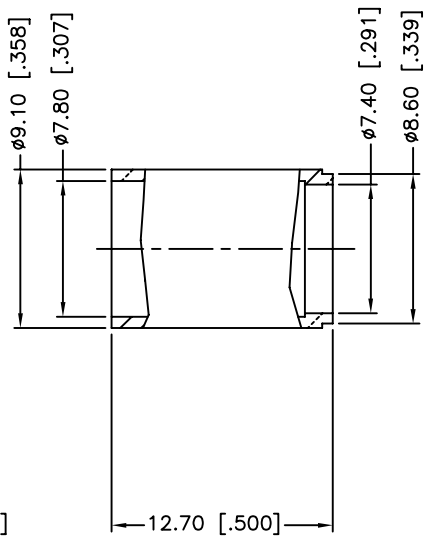
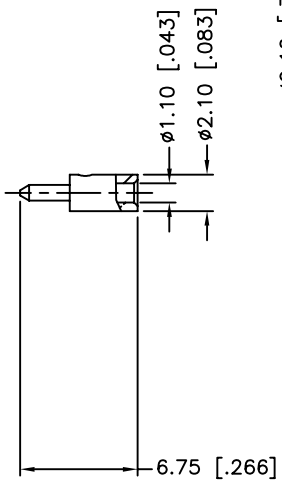
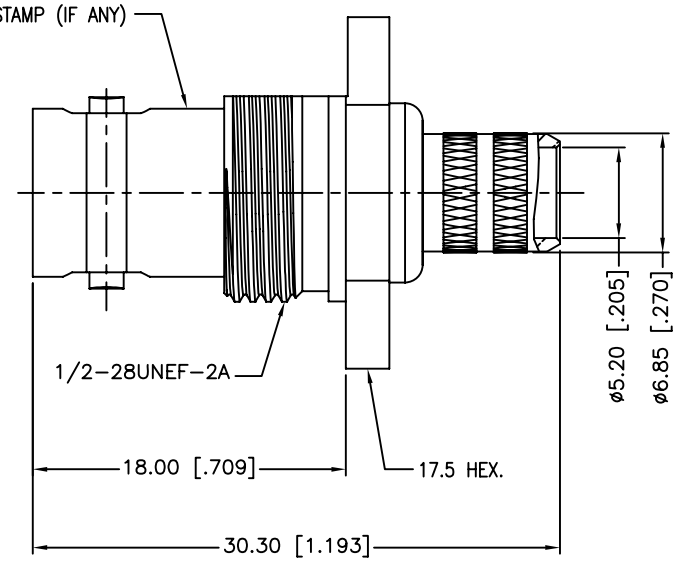
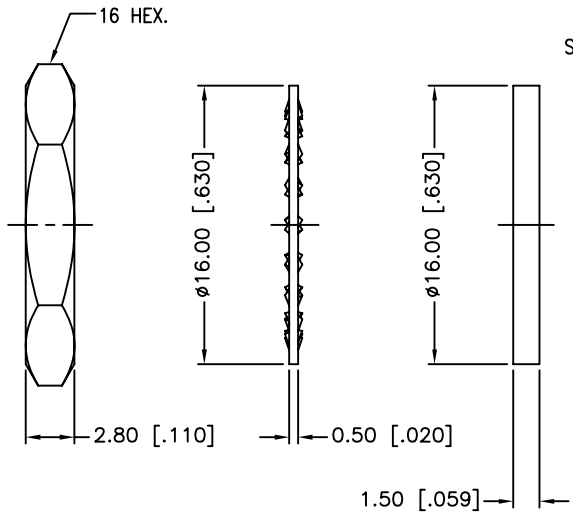
| REV. | DATE | ECR NO. | DESCRIPTION |
|------|----------|---------|-----------------|
| NC | 01/23/10 | XXXXXX | INITIAL RELEASE |



RECOMMENDED
CABLE STRIPPING DIM'S



RECOMMENDED
MOUNTING HOLE



1. FREQUENCY RANGE: 0 - 3 GHZ
2. VSWR: 1.15, MAX.
3. CRIMPED FERRULE
HEX CRIMP SIZE .314"
4. CRIMPED CONTACT PIN
HEX CRIMP SIZE .068"
5. MAX. PANEL THICKNESS=4.5mm

| | | | | |
|---|-------------|-----------------|---------|-----|
| 9 | HEX NUT | BRASS | NICKEL | 1 |
| 8 | LOCK WASHER | BRASS | NICKEL | 1 |
| 7 | GASKET | RUBBER | RED | 1 |
| 6 | FERRULE | BRASS | NICKEL | 1 |
| 5 | CONTACT PIN | BRASS | GOLD | 1 |
| 4 | BARREL | BRASS | NICKEL | 1 |
| 3 | INSULATOR | PTFE | NATURAL | 1 |
| 2 | CONTACT PIN | PHOSPHOR BRONZE | GOLD | 1 |
| 1 | BODY | BRASS | NICKEL | 1 |
| | DESCRIPTION | MATERIAL | FINISH | QTY |

UNLESS OTHERWISE SPECIFIED DIMENSIONS ARE IN MILLIMETERS. DIMENSIONS IN [] ARE IN INCHES AND FOR CUSTOMER REFERENCE ONLY.

UNLESS OTHERWISE SPECIFIED TOLERANCES FOR MILLIMETERS ARE:
0.5 - 8mm ± 0.20mm
8 - 30mm ± 0.40mm
30 - 120mm ± 0.50mm

UNLESS OTHERWISE SPECIFIED TOLERANCES FOR INCHES ARE:
.020 - .315 = ± 0.007"
.315 - 1.180 = ± 0.015"
1.180 - 4.724 = ± 0.020"

DO NOT SCALE DRAWING

| APPROVALS | DATE |
|----------------------------------|----------|
| DRAWN M.ZHANG | 01/23/10 |
| CHECKED | |
| ISSUED | |
| SHEET 1 OF 1 | |
| CAD FILE C:/CONNEX/112662-10.DWG | |

Amphenol Connex

PART DESCRIPTION
**BNC BULKHEAD CRIMP JACK
(FOR RG6 PLENUM/BELDEN 1694A CABLE)**

PART NO. **112662-10**

DWG. NO. 112662-10.DWG REV. A SIZE A SCALE NA