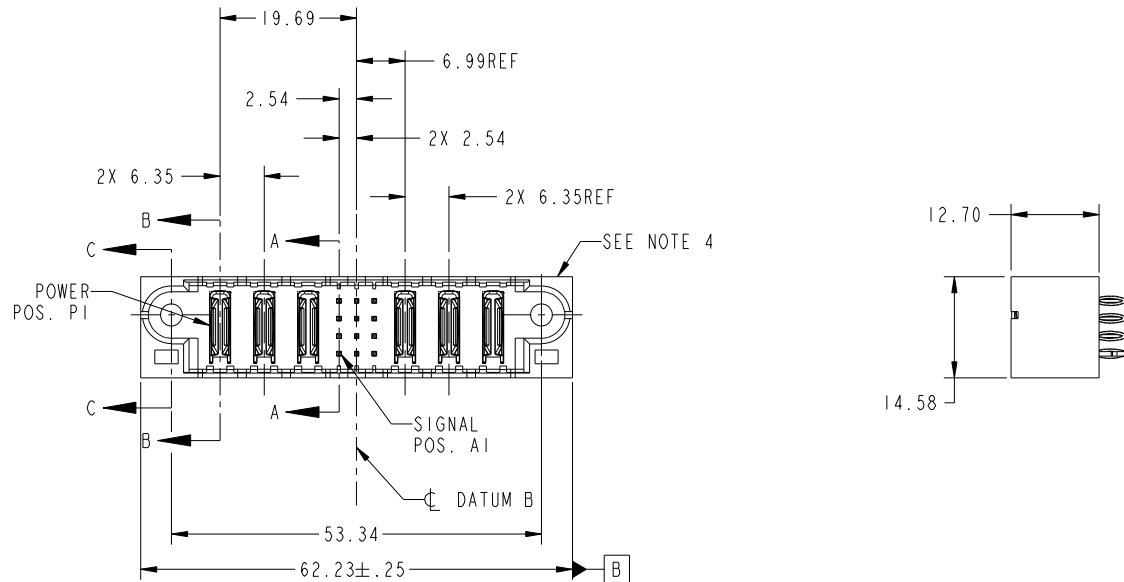


Tous droits strictement reserves. Reproduction ou communication a des tiers interdite sous quelque forme que ce soit sans autorisation écrite du propriétaire. Propriete de c FCI. Droits de reproduction FCI.



All rights strictly reserved. Reproduction or issue to third parties in any form whatever is not permitted without written authority from the proprietor. Property of FCI. Copyright FCI.

PRODUCT NO.	ROWS	POWER			SIG.			POWER			E2	
		E1	P1	P2	P3	1	2	3	P4	P5		P6
51710-018... NOTE: 3	D C B A		PC	PC	PC	G G G K	G G G K	G G G K	PC	PC	PC	



CODE	DIM "M" MATING LENGTH	CONTACT TYPE
HA	[N/A]	HOLD-DOWN
PC	[N/A]	POWER
K	[5.59]	SIGNAL
G	[6.86]	SIGNAL

mat'l code		SEE NOTE		tolerances unless otherwise specified		CUSTOMER		
ltr	ecn no.	dr	date	linear	0.X ± 0.5	COPY	www.fciconnect.com	
A	DG06-0018	SW	01/13/06		0.XX ± 0.25	projection	title	
B	DG07-0357	JUL IA	09/10/07		0.XXX ± .10		3P + 12S + 3P VERTICAL PF HEADER	
C	DG08-0273	JW	12/05/08	angles	0° ± 2°		product family	PwrBlade
				dr	STEVEN WANG 01/13/06	scale	size	code
				enr	STEVEN WANG 01/13/06	1:1	dwg no	213
				chr	BEER FU 01/13/06		51710-018	sheet
				appd	JOSEPH HSIA 01/13/06			1 of 4
sheet index	revision sheet	C	C	C	C			
		1	2	3	4			

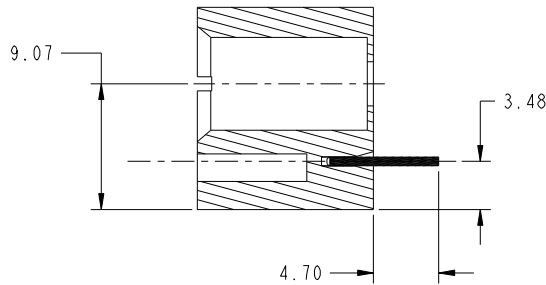
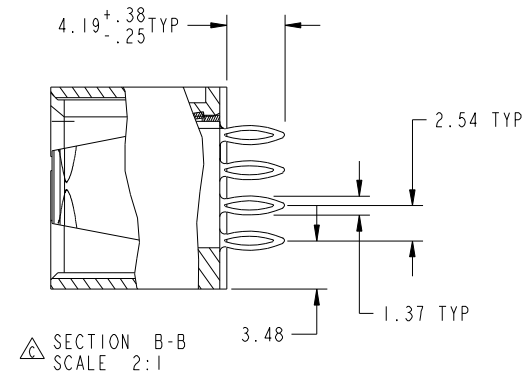
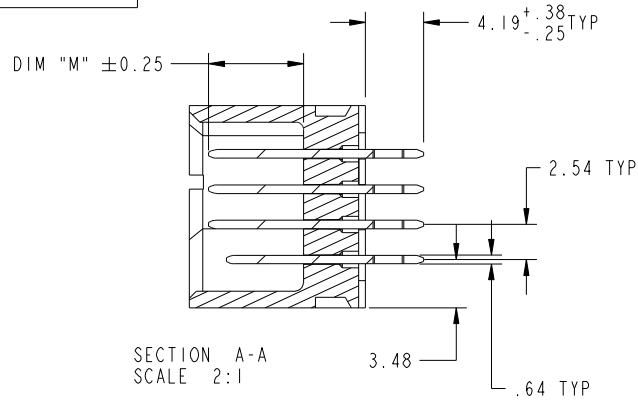
cage code 22526

Tous droits strictement reserves. Reproduction ou communication a des tiers interdite sous quelque forme que ce soit sans autorisation écrite du propriétaire. Propriete de c FCI. Droits de reproduction FCI.



All rights strictly reserved. Reproduction or issue to third parties in any form whatever is not permitted without written authority from the proprietor. Property of FCI. Copyright FCI.

PRODUCT NUMBER
51710-018--
NOTE: 3



SECTION C-C
SCALE 2:1

mat'l code		SEE NOTE		tolerances unless otherwise specified		CUSTOMER		www.fciconnect.com	
ltr	ecn no.	dr	date	linear	0.X ±0.5	COPY		title	
c					0.XX ±0.25	projection		3P + 12S + 3P VERTICAL PF HEADER	
				angles	0.XXX ±0.10			product family PwrBlade code	
				dr	0° +2°	MIM		size 213	
				enr	STEVEN WANG 01/13/06			dwg no 51710-018 sheet 2	
				chr	STEVEN WANG 01/13/06	scale 1:1			
				appd	BEER FU 01/13/06				
					JOSEPH HSIA 01/13/06				
sheet index	revision sheet							cage code 22526	

Pro/E

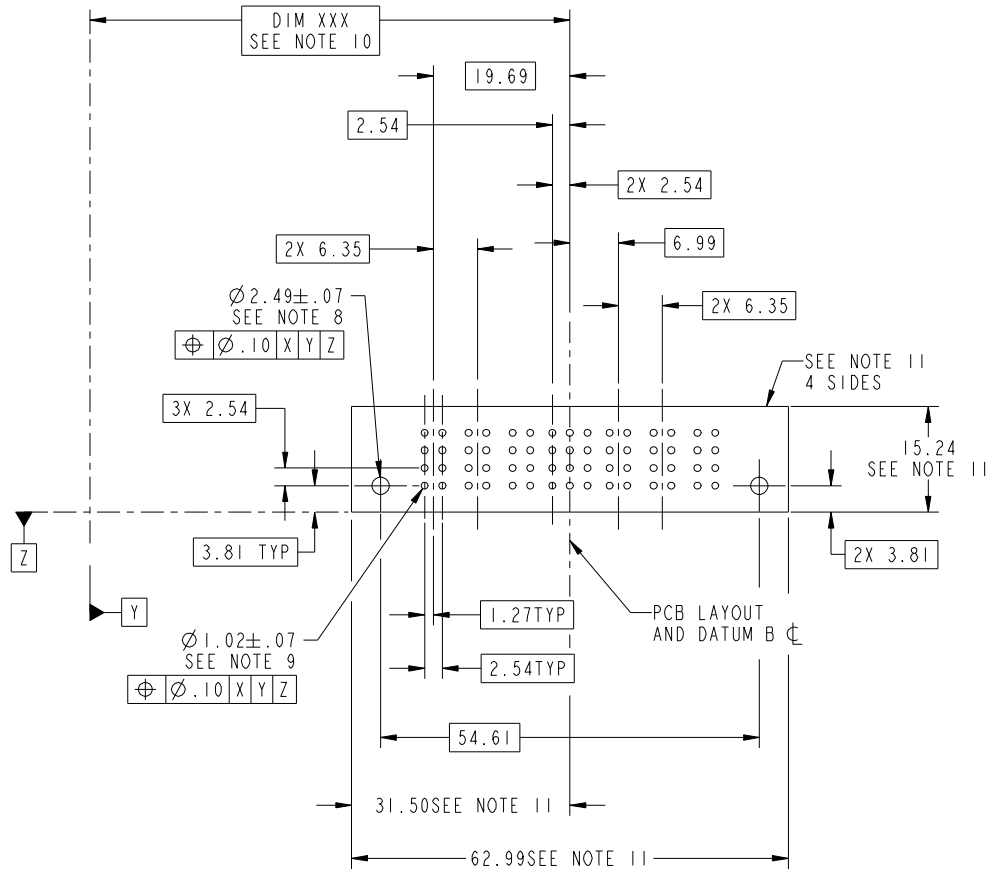
cage code 22526

Tous droits strictement reserves. Reproduction ou communication a des tiers interdite sous quelque forme que ce soit sans autorisation écrite du propriétaire. Propriete de c FCI. Droits de reproduction FCI.



All rights strictly reserved. Reproduction or issue to third parties in any form whatever is not permitted without written authority from the proprietor. Property of FCI. Copyright FCI.

PRODUCT NUMBER
51710-018--
NOTE: 3



mat'l code		SEE NOTE		tolerances unless otherwise specified		CUSTOMER		www.fciconnect.com	
ltr	ecn no.	dr	date	linear	0.X ± 0.5	COPY		title	
C					0.XX ± 0.25	projection		3P + 12S + 3P VERTICAL PF HEADER	
				angles	0.XXX ± 0.10			product family PwrBlade code 213	
				dr	0° + 2°			size dwg no 51710-018 sheet 3	
				enr	STEVEN WANG 01/13/06	scale		A	
				chr	STEVEN WANG 01/13/06	1:1			
				appd	BEER FU 01/13/06				
					JOSEPH HSIA 01/13/06				
sheet index	revision sheet								

cage code 22526

Pro/E

Tous droits strictement reserves. Reproduction ou communication a des tiers interdite sous quelque forme que ce soit sans autorisation écrite du propriétaire. Propriete de c FCI. Droits de reproduction FCI.



All rights strictly reserved. Reproduction or issue to third parties in any form whatever is not permitted without written authority from the proprietor. Property of FCI. Copyright FCI.

PRODUCT NUMBER
51710-018--
NOTE: 3

NOTES:

1. DIMENSIONS AND TOLERANCES ARE IN ACCORDANCE WITH ASME Y14.5M, 1994 UNLESS OTHERWISE SPECIFIED.

CONNECTOR NOTES:

2 HOUSING MATERIAL: UL 94 V-0 GLASS FILLED HIGH-TEMP THERMOPLASTIC
POWER CONTACT MATERIAL: COPPER ALLOY
SIGNAL PIN MATERIAL: COPPER ALLOY

3. PLATING:
SEE ITEM 3 & 4 IN PRINT 10064183 FOR PLATING SPEC OF 51710-018; 51710-018LF PRESPECTIVELY

4 MANUFACTURER'S NAME, P/N, AND DATE CODE TO APPEAR ON THIS SURFACE.

5. PRODUCT SPECIFICATION GS-12-149.
APPLICATION SPECIFICATION BUS-20-067.

6. PACKAGED IN TRAYS.

PCB NOTES:

7. ALL HOLE DIAMETERS ARE FINISHED HOLE SIZE.

8. MOUNTING HOLES, WHERE APPLICABLE, ARE UNPLATED.

9 $\varnothing 1.151 \pm 0.025$ DRILLED HOLES PLATED WITH 0.008 MIN SnPb OR Sn OVER 0.03 TO 0.08 Cu PLATING TO ACHIEVE $\varnothing 1.02 \pm .07$ HOLE.

10 "DIM XXX" TO BE DETERMINED BY THE CUSTOMER.

11 CONNECTOR KEEP-OUT ZONE.

12. FOR PRESS FIT APPLICATION USE FCI CAM TOOL 430169-XXX.

13. A Δ SYMBOL WILL BE NEXT TO ANY DIMENSION, VIEW, OR NOTE WHICH HAS BEEN MODIFIED WITH THE CURRENT DRAWING REVISION.

mat'l code		SEE NOTE		tolerances unless otherwise specified		CUSTOMER		www.fciconnect.com	
ltr	ecn no.	dr	date	linear	0.X ± 0.5	COPY		title	
C					0.XX ± 0.25	projection		3P + 12S + 3P VERTICAL PF HEADER	
				angles	0.XXX ± 0.10			product family PwrBlade code	
				dr	STEVEN WANG 01/13/06	MIM		size	
				enr	STEVEN WANG 01/13/06			dwg no 213	
				chr	BEER FU 01/13/06	scale		sheet 4	
				appd	JOSEPH HSIA 01/13/06	1:1		51710-018	
sheet index	revision sheet								

cage code 22526

Pro/E