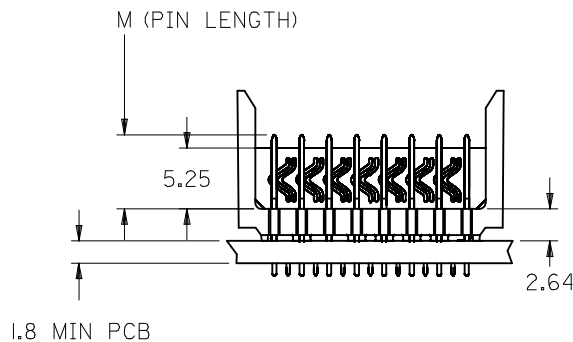
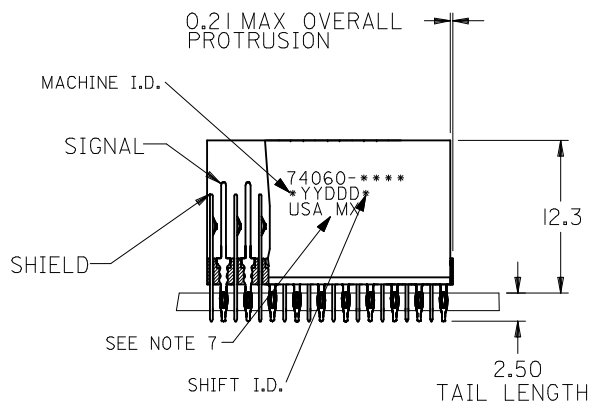


BACKPLANE HOLE PATTERN
RECOMMENDED DIMENSION

NOTES:

- MATERIALS:
HOUSING - LIQUID CRYSTAL POLYMER (LCP),
GLASS-FILLED, UL 94V-0, COLOR: BLACK
SIGNAL PIN & SHIELD - COPPER ALLOY
- FINISHES:
CONTACT AREA: SELECTIVE GOLD (Au)
PCB TAILS: SELECTIVE MATTE TIN (Sn)
NICKEL (Ni) OVERALL.
- THIS PART CONFORMS TO MOLEX PRODUCT SPECIFICATION PS-74031-999
- FOR MIXED CONTACT LENGTHS CONSULT MOLEX FOR AVAILABILITY
- FOR SPECIFIC MATERIAL NUMBERS & MATING INFORMATION REFER TO SHEET 2
- PACKAGE PER PK-74060-003
- EITHER MARK PART WITH PART NUMBER & DATE CODE APPROXIMATELY WHERE SHOWN OR PLACE LABEL ON THE TUBE.
- MAPS (MOLEX ADVANCED PLATING SYSTEM)



REV. ASSIGNMENT TABLE EC NO: UCP2014-3396 DRWNS:VANG01 2014/02/14 CHKCD:WOLFE 2014/02/14 APPR:SMILLER 2014/09/07	DESCRIPTION M	QUALITY SYMBOLS	GENERAL TOLERANCES (UNLESS SPECIFIED)	DIMENSION STYLE MM ONLY		SCALE 2.5:1	DESIGN UNITS METRIC	THIRD ANGLE PROJECTION																		
		$\nabla = 0$ $\nabla = 0$ $\nabla = 0$	<table border="1"> <tr> <th></th> <th>mm</th> <th>INCH</th> </tr> <tr> <td>4 PLACES</td> <td>± ---</td> <td>± ---</td> </tr> <tr> <td>3 PLACES</td> <td>± ---</td> <td>± ---</td> </tr> <tr> <td>2 PLACES</td> <td>± 0.25</td> <td>± ---</td> </tr> <tr> <td>1 PLACE</td> <td>± 0.38</td> <td>± ---</td> </tr> <tr> <td>0 PLACE</td> <td>± ---</td> <td>± ---</td> </tr> </table>		mm	INCH	4 PLACES	± ---	± ---	3 PLACES	± ---	± ---	2 PLACES	± 0.25	± ---	1 PLACE	± 0.38	± ---	0 PLACE	± ---	± ---	DRAWN BY MWANG	DATE 1998/11/09	TITLE VHDM 8 ROW OPEN END BACKPLANE SALES ASSEMBLY molex	DOCUMENT NO. SD-74060-002	SHEET NO. 1 OF 2
			mm	INCH																						
		4 PLACES	± ---	± ---																						
3 PLACES	± ---	± ---																								
2 PLACES	± 0.25	± ---																								
1 PLACE	± 0.38	± ---																								
0 PLACE	± ---	± ---																								
ANGULAR ±1/2° DRAFT WHERE APPLICABLE MUST REMAIN WITHIN DIMENSIONS		CHECKED BY JLAUR	DATE 1998/11/09																							
		APPROVED BY SMILLER	DATE 2012/09/07																							
		MATERIAL NO. SEE SHT.2																								

MATERIAL NUMBER ASSIGNMENT

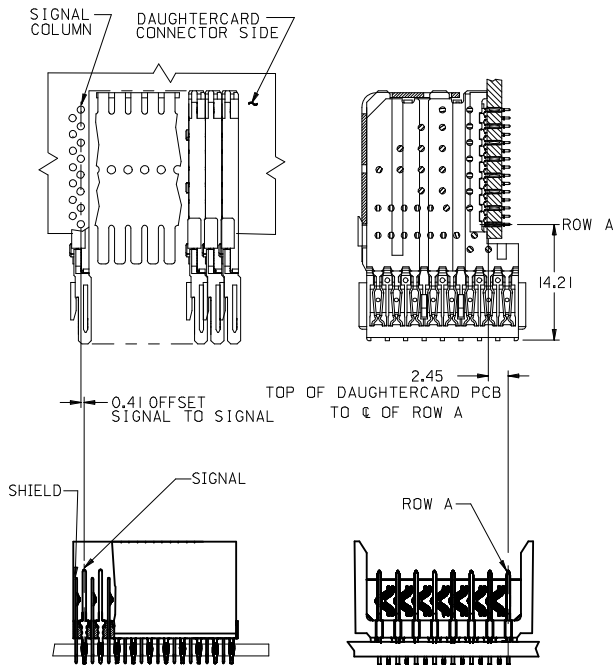
74060-** 0*

PIN HEIGHT / PLATING
 1-4 = 0.25 or 0.76 GOLD
 6-9 = 1.27 GOLD

1 & 6 = 4.75
 2 & 7 = 6.25
 3 & 8 = 4.25
 4 & 9 = 5.15

NUMBER OF COLUMNS/PLATING

10 = 10 COLUMN MATTE TIN (FORMERLY TIN/LEAD)
 25 = 25 COLUMN MATTE TIN (FORMERLY TIN/LEAD)
 60 = 10 COLUMN MATTE TIN (MAPS)
 75 = 25 COLUMN MATTE TIN (MAPS)
 90 = 10 COLUMN MATTE TIN
 85 = 25 COLUMN MATTE TIN



PART NUMBER	COLUMN	NUMBER OF SIGNAL PIN	NUMBER OF SHIELD	A	B	M	GOLD THICKNESS MICROMETER	TIN THICKNESS MICROMETER
74060-6001	10	80	10	20.00	18.00	4.75	0.25 MAPS	0.76-152
74060-*001							0.76	
74060-*006							1.27	
74060-7501	25	200	25	50.00	48.00	4.75	0.25 MAPS	
74060-*501							0.76	
74060-*506							1.27	
74060-6002	10	80	10	20.00	18.00	6.25	0.25 MAPS	
74060-*002							0.76	
74060-*007							1.27	
74060-7502	25	200	25	50.00	48.00	6.25	0.25 MAPS	
74060-*502							0.76	
74060-*507							1.27	
74060-6003	10	80	10	20.00	18.00	4.25	0.25 MAPS	
74060-*003							0.76	
74060-*008							1.27	
74060-7503	25	200	25	50.00	48.00	4.25	0.25 MAPS	
74060-*503							0.76	
74060-*508							1.27	
74060-6004	10	80	10	20.00	18.00	5.15	0.25 MAPS	
74060-*004							0.76	
74060-*009							1.27	
74060-7504	25	200	25	50.00	48.00	5.15	0.25 MAPS	
74060-*504							0.76	
74060-*509							1.27	

SEE SHEET 1 EC NO: UCP2014-3396 DRWN: SWANG01 2014/02/14 CHKD: MWOLFE 2012/11/30 APPR: SMILLER 2014/02/25 M	QUALITY SYMBOLS ▽ E=0 ▽ E=0 ▽ E=0	GENERAL TOLERANCES (UNLESS SPECIFIED)		DIMENSION STYLE MM ONLY		SCALE 2.5:1	DESIGN UNITS METRIC	THIRD ANGLE PROJECTION			
				mm	INCH	DRAWN BY MWANG	DATE 1998/11/09	TITLE VHDM 8 ROW OPEN END BACKPLANE SALES ASSEMBLY			
		4 PLACES ± --- ± ---				CHECKED BY JLAURX	DATE 1998/11/09				
		3 PLACES ± --- ± ---				APPROVED BY SMILLER	DATE 2012/09/07				
2 PLACES ± 0.25 ± ---				MATERIAL NO.		DOCUMENT NO.	SHEET NO.				
1 PLACE ± 0.38 ± ---				SEE TABLE		SD-74060-002	2 OF 2				
0 PLACE ± --- ± ---				SIZE B		THIS DRAWING CONTAINS INFORMATION THAT IS PROPRIETARY TO MOLEX INCORPORATED AND SHOULD NOT BE USED WITHOUT WRITTEN PERMISSION					
ANGULAR ± 1/2° DRAFT WHERE APPLICABLE MUST REMAIN WITHIN DIMENSIONS											