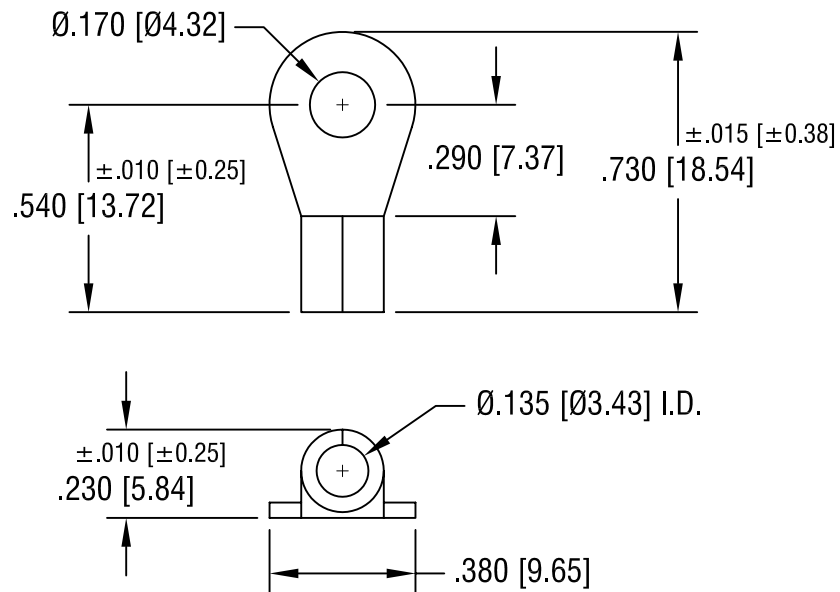


THIS DOCUMENT IS THE PROPERTY OF
KEYSTONE ELECTRONICS CORP. AND
SHALL NOT BE REPRODUCED, DISTRIBUTED
OR USED AS A BASIS FOR MANUFACTURE
WITHOUT PRIOR WRITTEN PERMISSION
FROM KEYSTONE ELECTRONICS CORP.



NOTE:

1. ACCOMMODATES WIRE RANGE 12/10 AWG

| | | | |
|-----------------------------------|---------------------------|--------|-------------|
| KEYSTONE ELECTRONICS CORP. | | | |
| ASTORIA, N.Y. 11105-2017 | | | |
| PART NAME | | | |
| RING TONGUE TERMINAL | | | |
| MATERIAL | | | |
| .040 [1.02] TH'K COPPER | | | |
| FINISH | | DRN BY | DATE |
| TIN PLATE | | BOONE | 10.17.07 |
| | | APP'D | SCALE |
| | | LN | 2X |
| TOLERANCES | INCH [MM] | CODE | DWG NO. |
| DECIMAL | $\pm .005$ [± 0.15] | C/M | 8207 |
| ANGULAR | $\pm 1^\circ$ | | |
| UNLESS OTHERWISE SPECIFIED | | | |

| | | |
|------|-------------|------|
| DATE | DESCRIPTION | REV. |
| | | |