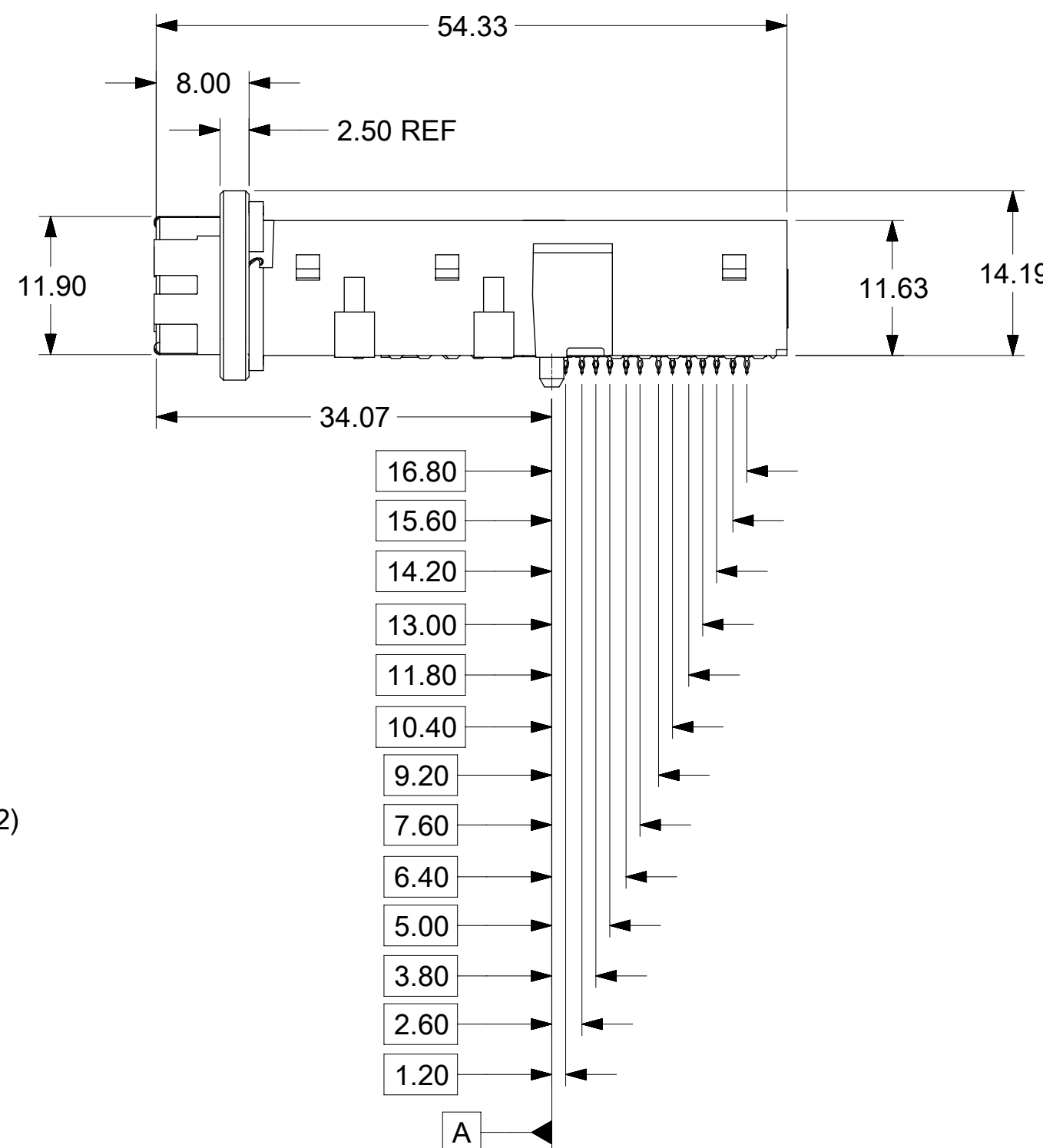
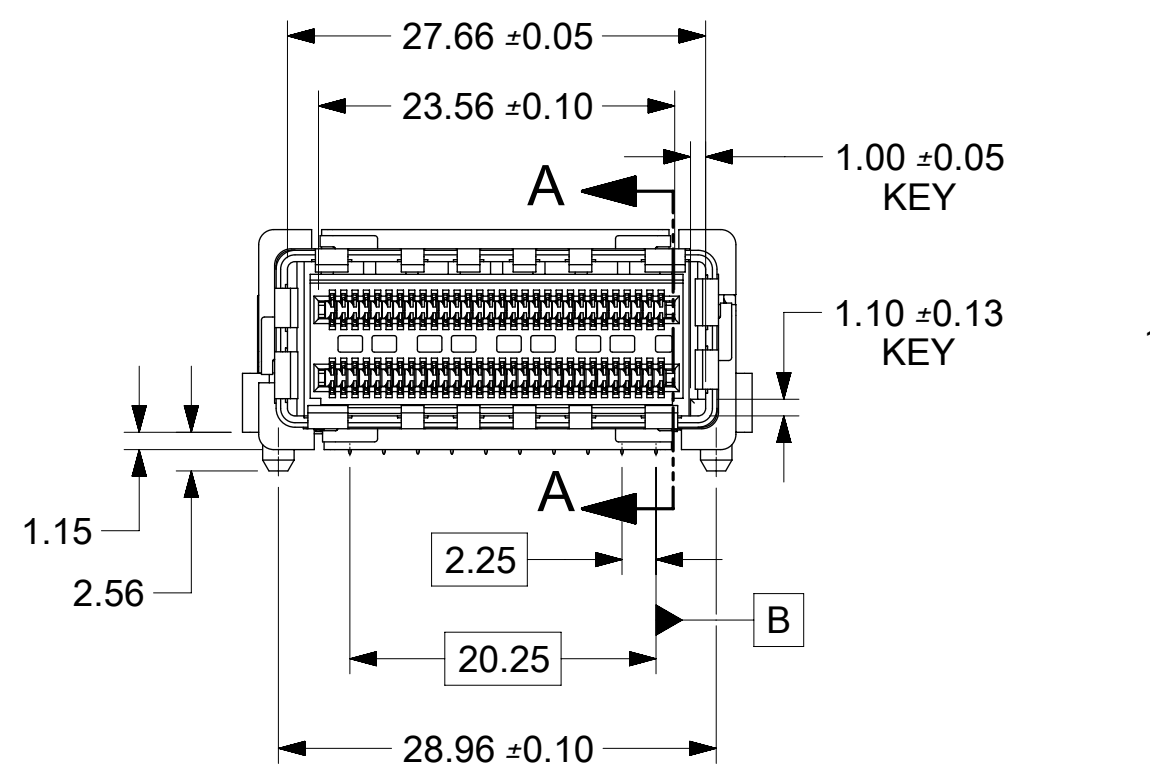
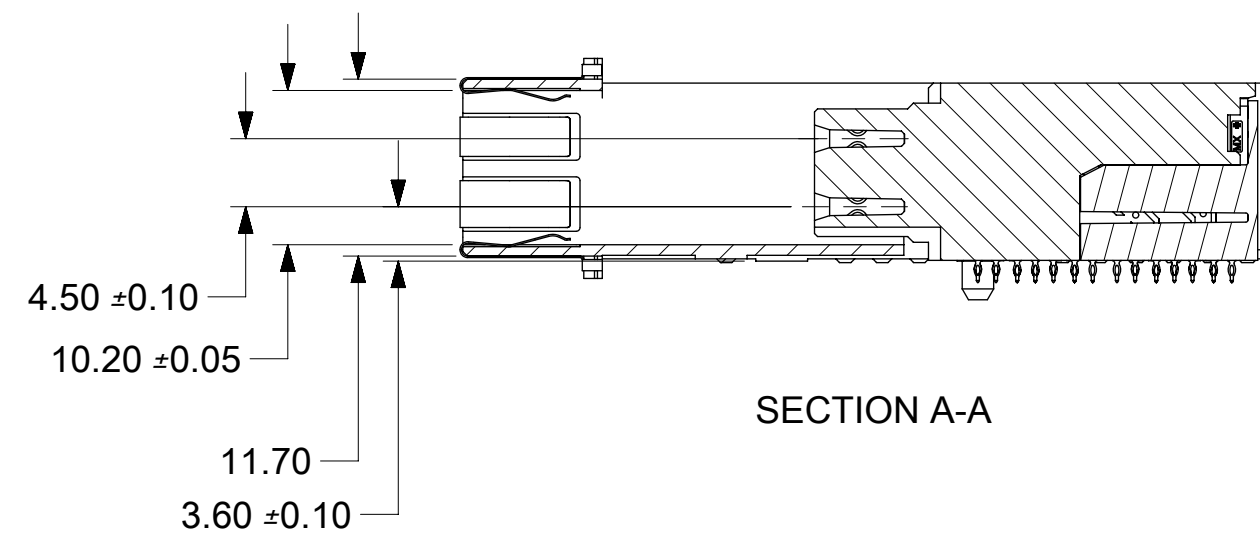
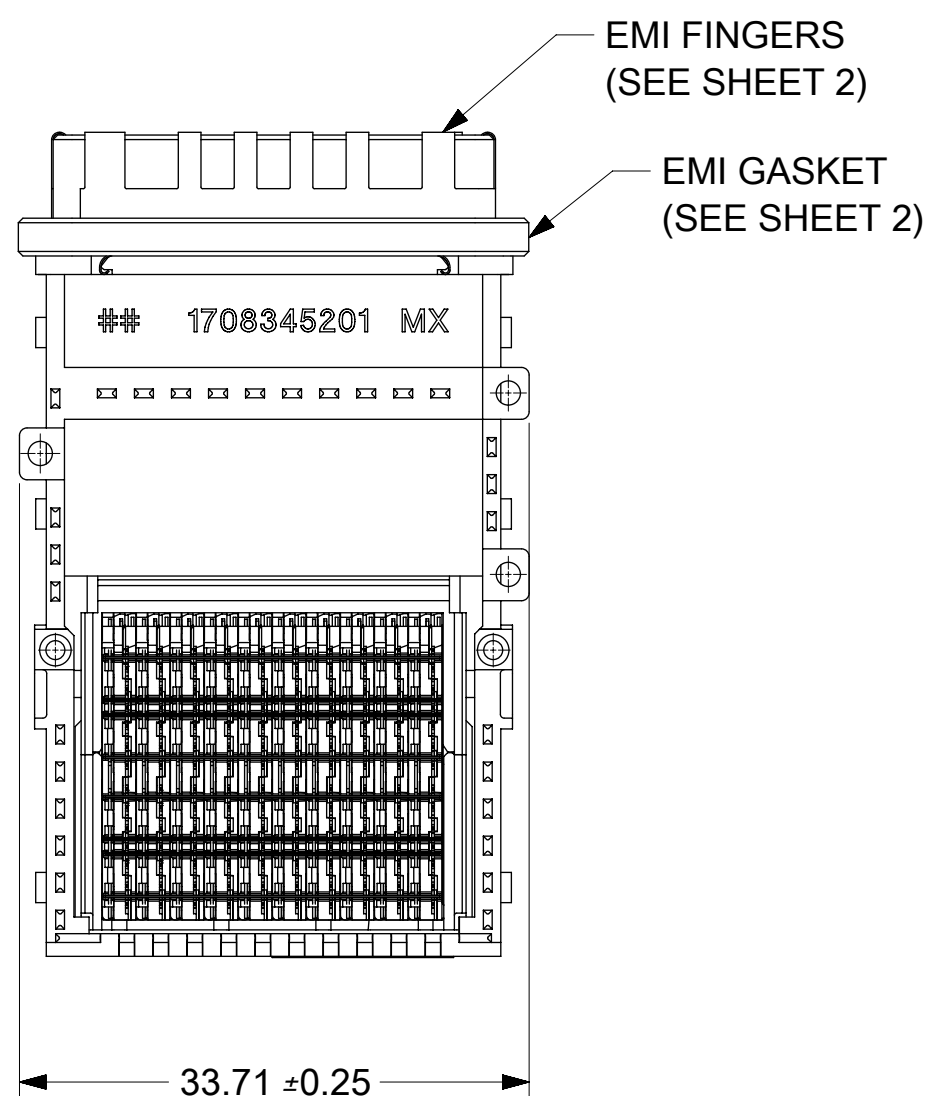


MATERIAL NUMBER
1733590001 SHOWN



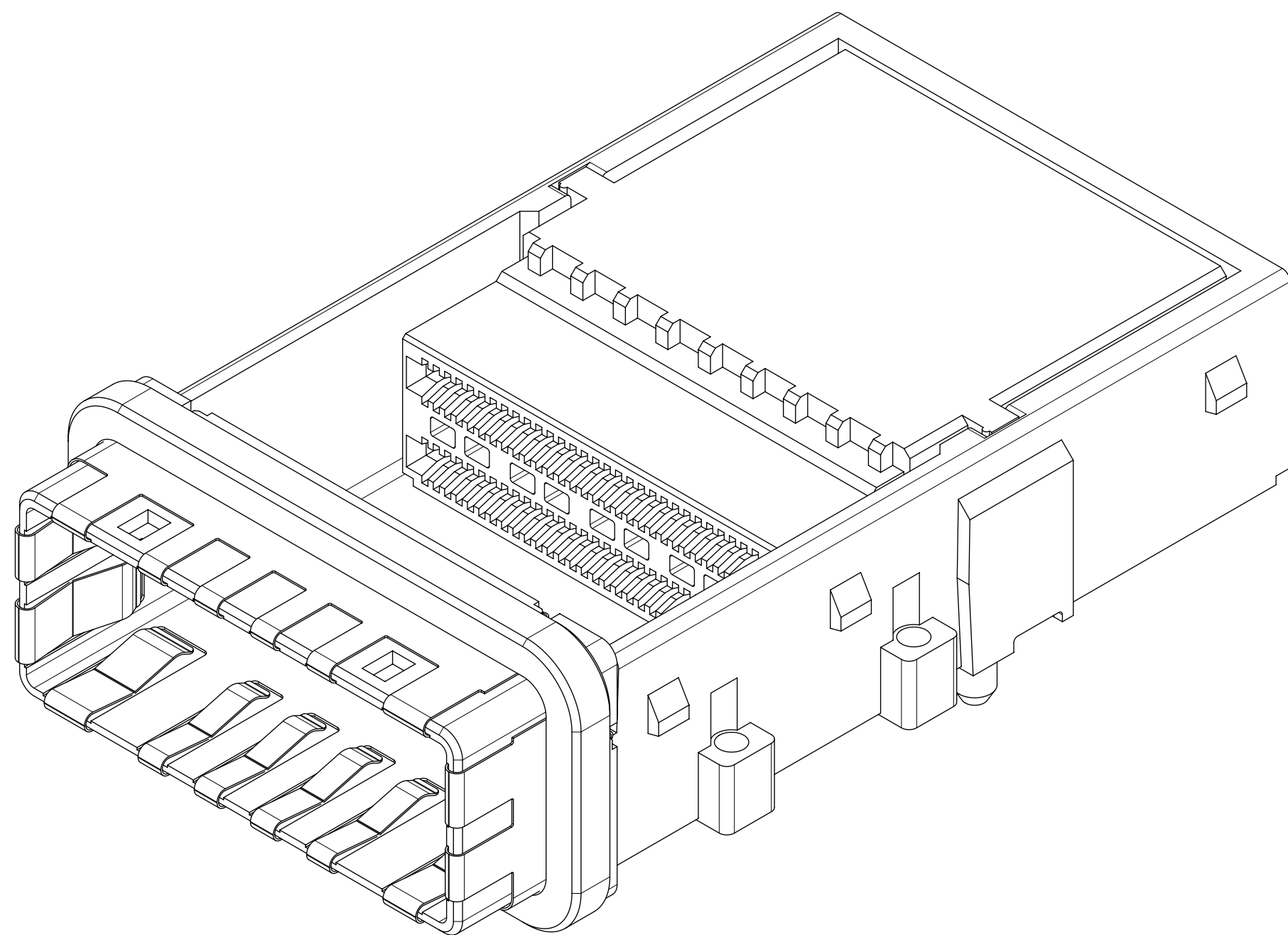
NOTES:

- MATERIALS:
 WAFER HOUSING
 HIGH TEMPERATURE THERMOPLASTIC
 GLASS-FILLED, UL 94V-0
 DIE CAST HOUSING: NICKEL PLATED DIE CAST ALLOY
 COVER: STAINLESS STEEL ALLOY
 EMI GASKET: CONDUCTIVE POLYMER
 EMI FINGERS: NICKEL PLATED COPPER ALLOY
- FINISHES:
 PLATING:
 CONTACT AREA
 0.76µm MIN GOLD OVER 2.54µm MIN NICKEL
 COMPLIANT TAIL AREA
 0.76-1.52µm TIN OVER 1.27µm MIN NICKEL
- PRODUCT SPECIFICATION: PS-173359-0001
- PACKAGING SPECIFICATION: PK-170834-0001
- MATES WITH: MOLEX CABLE SERIES 200433.
- MOUNTING HARDWARE REQUIRED:
 M2x0.4 CAP SCREWS (3)
 LENGTH: PCB THICKNESS + 3.0 MIN (6.0 MM MAX)
- APPLICATION SPECIFICATION: AS-173359-0002
- ROUTING GUIDELINE: AS-173359-0001

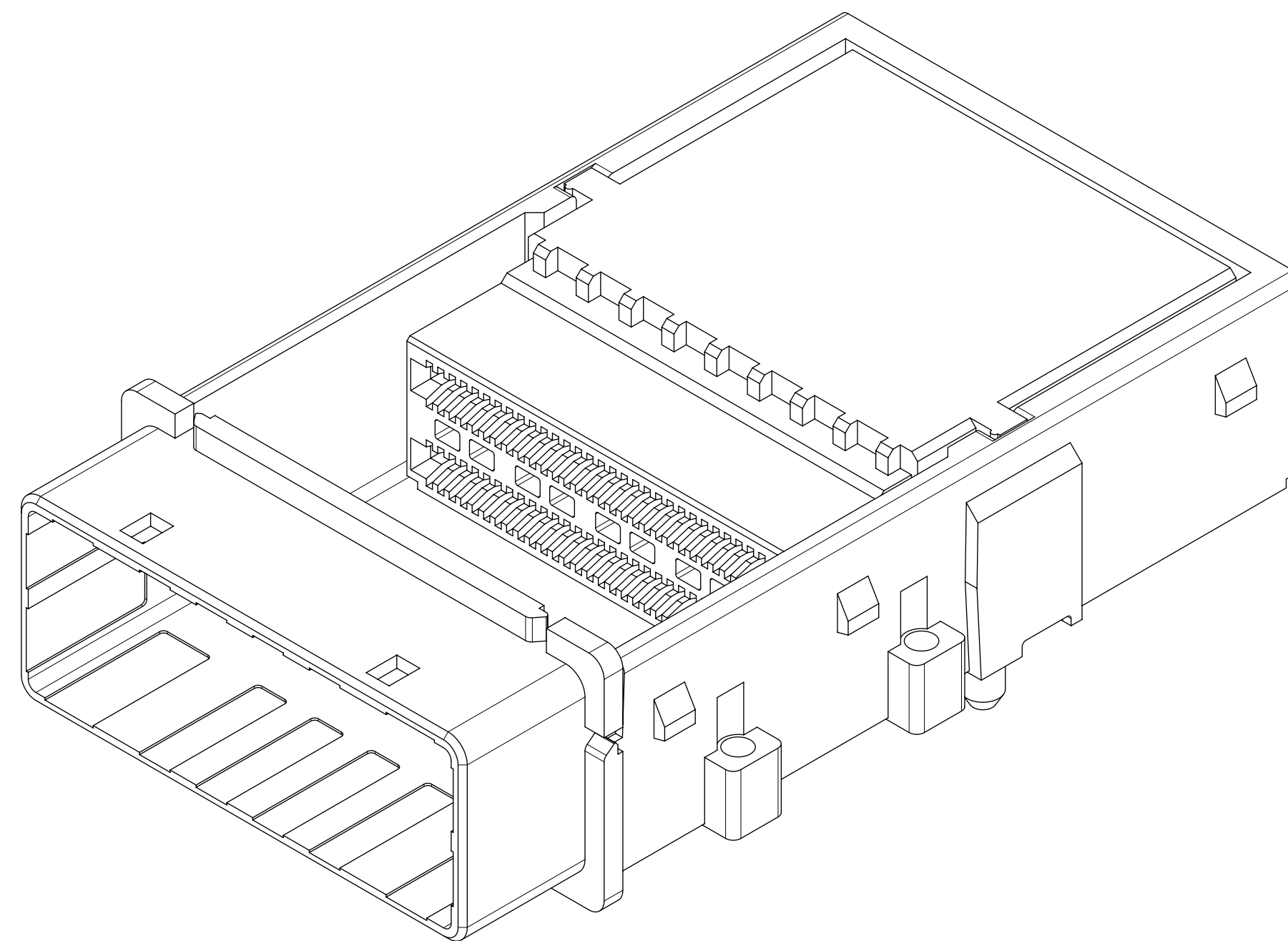


THIS DRAWING CONTAINS INFORMATION THAT IS PROPRIETARY TO MOLEX ELECTRONIC TECHNOLOGIES, LLC AND SHOULD NOT BE USED WITHOUT WRITTEN PERMISSION

ADD SPECS EC NO: 113374 DRWN: MHANUMAPPARE CHKD: DACHAMMER REV / APPR: SMILLER	2016/11/29	2017/02/09	2017/02/14	GENERAL TOLERANCES (UNLESS SPECIFIED) ANGULAR TOL ± 0.5 ° 4 PLACES ± 3 PLACES ± 2 PLACES ± 0.25 1 PLACE ± 0 PLACES ± DRAFT WHERE APPLICABLE MUST REMAIN WITHIN DIMENSIONS	DIMENSION UNITS MM ONLY	SCALE 2:1	
	DRWN BY DACHAMME	DATE 2015/11/13	CHKD BY DACHAMMER		DATE 2017/02/09	PRODUCT CUSTOMER DRAWING	
	APPR BY SMILLER	DATE 2017/02/14	SERIES 173359		MATERIAL NUMBER SEE SHEET 2		
	DRAWING SIZE C	THIRD ANGLE PROJECTION	DOCUMENT NUMBER SD-173359-0001		DOC TYPE PSD	DOC PART 000	



1733590001 SHOWN
WITH EMI FINGERS AND EMI GASKET



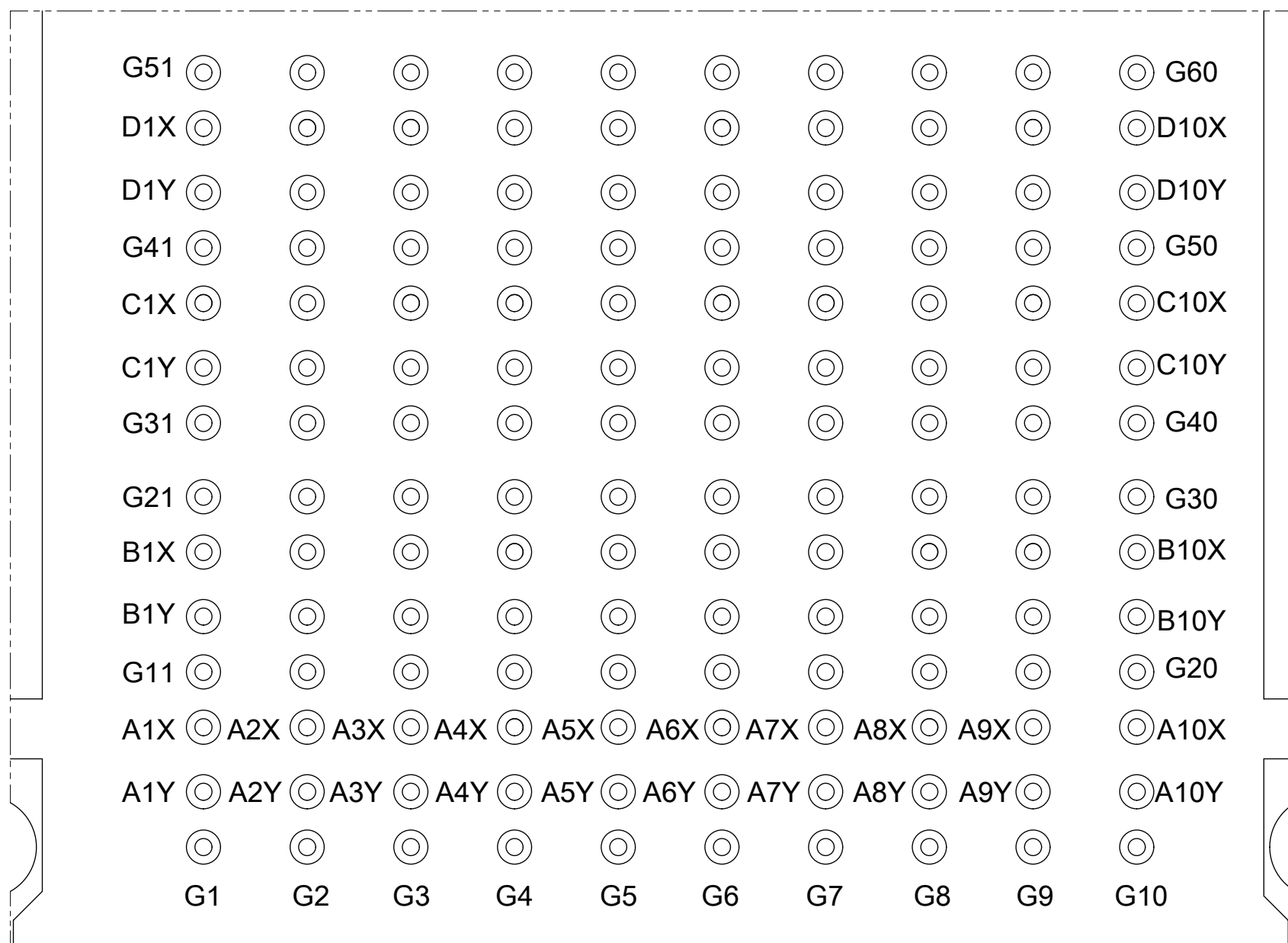
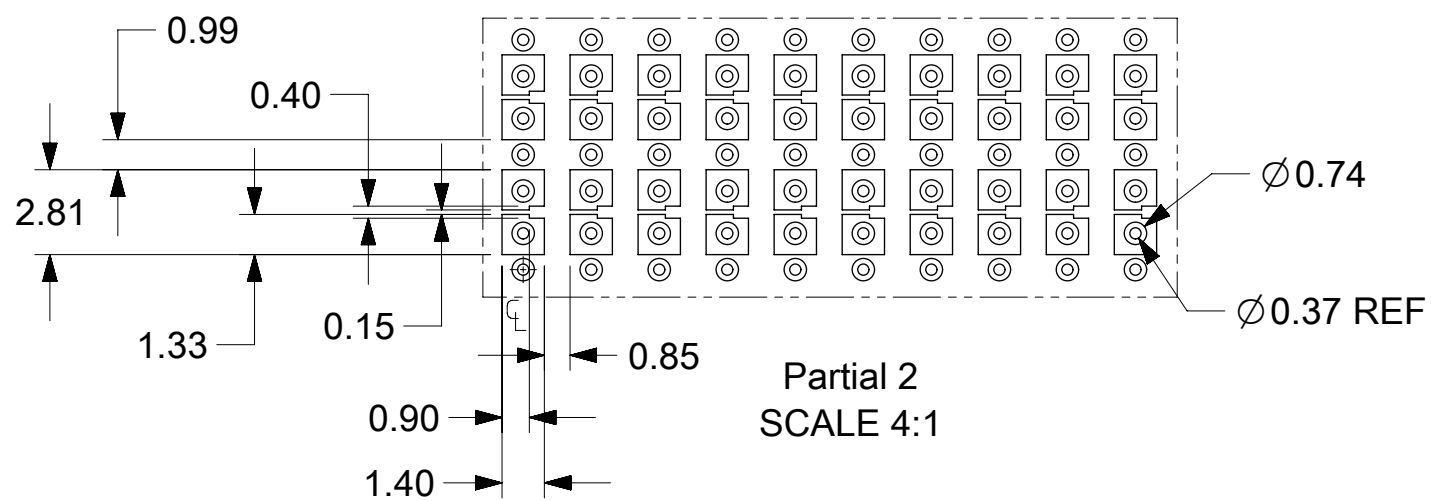
1733590002 SHOWN
NO EMI FINGERS AND NO GASKET

MATERIAL NUMBER	WITH EMI FINGERS	WITH EMI GASKET
1733590001	YES	YES
1733590002	NO	NO

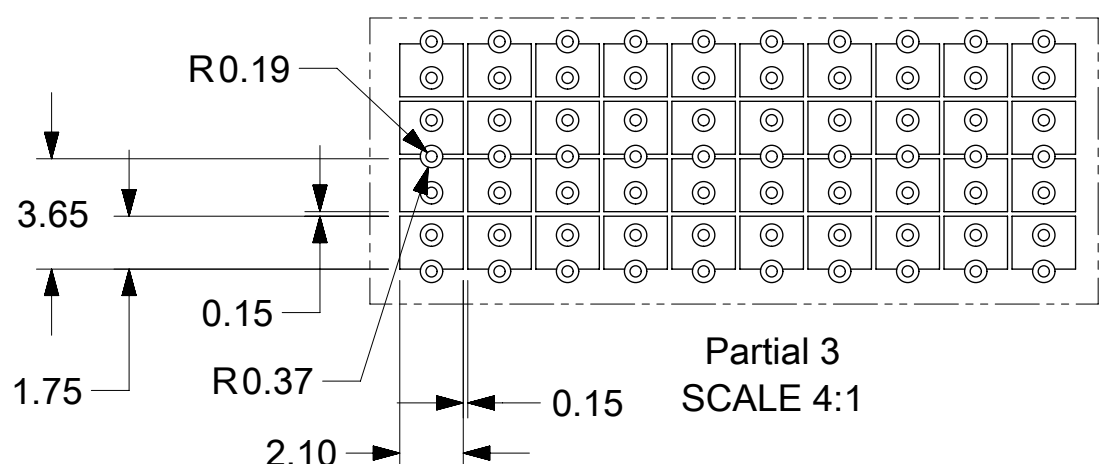
THIS DRAWING CONTAINS INFORMATION THAT IS PROPRIETARY TO MOLEX ELECTRONIC TECHNOLOGIES, LLC AND SHOULD NOT BE USED WITHOUT WRITTEN PERMISSION

ADD SPECS EC NO: 113374 DRWN: MHANUMAPPARE CHKD: DACHAMMER REV APPR: SMILLER	2016/11/29	2017/02/09	GENERAL TOLERANCES (UNLESS SPECIFIED) ANGULAR TOL ± 0.5 ° 4 PLACES ± 3 PLACES ± 2 PLACES ± 0.25 1 PLACE ± 0 PLACES ± DRAFT WHERE APPLICABLE MUST REMAIN WITHIN DIMENSIONS	DIMENSION UNITS	SCALE			
				MM ONLY	4:1			
				DRWN BY	DATE		DACHAMME	2015/11/13
				CHKD BY	DATE		DACHAMMER	2017/02/09
				APPR BY	DATE		SMILLER	2017/02/14
		DRAWING SIZE	THIRD ANGLE PROJECTION	C		SERIES: 173359 MATERIAL NUMBER: SEE TABLE CUSTOMER: GENERAL MARKET		
						DOCUMENT NUMBER: SD-173359-0001 DOC TYPE: PSD DOC PART: 000 SHEET NUMBER: 2 OF 6		

ABOVE AND BELOW SIGNAL LAYERS



TOP AND BOTTOM EMI LAYER AND ALL OTHER LAYERS WITHIN BOARD

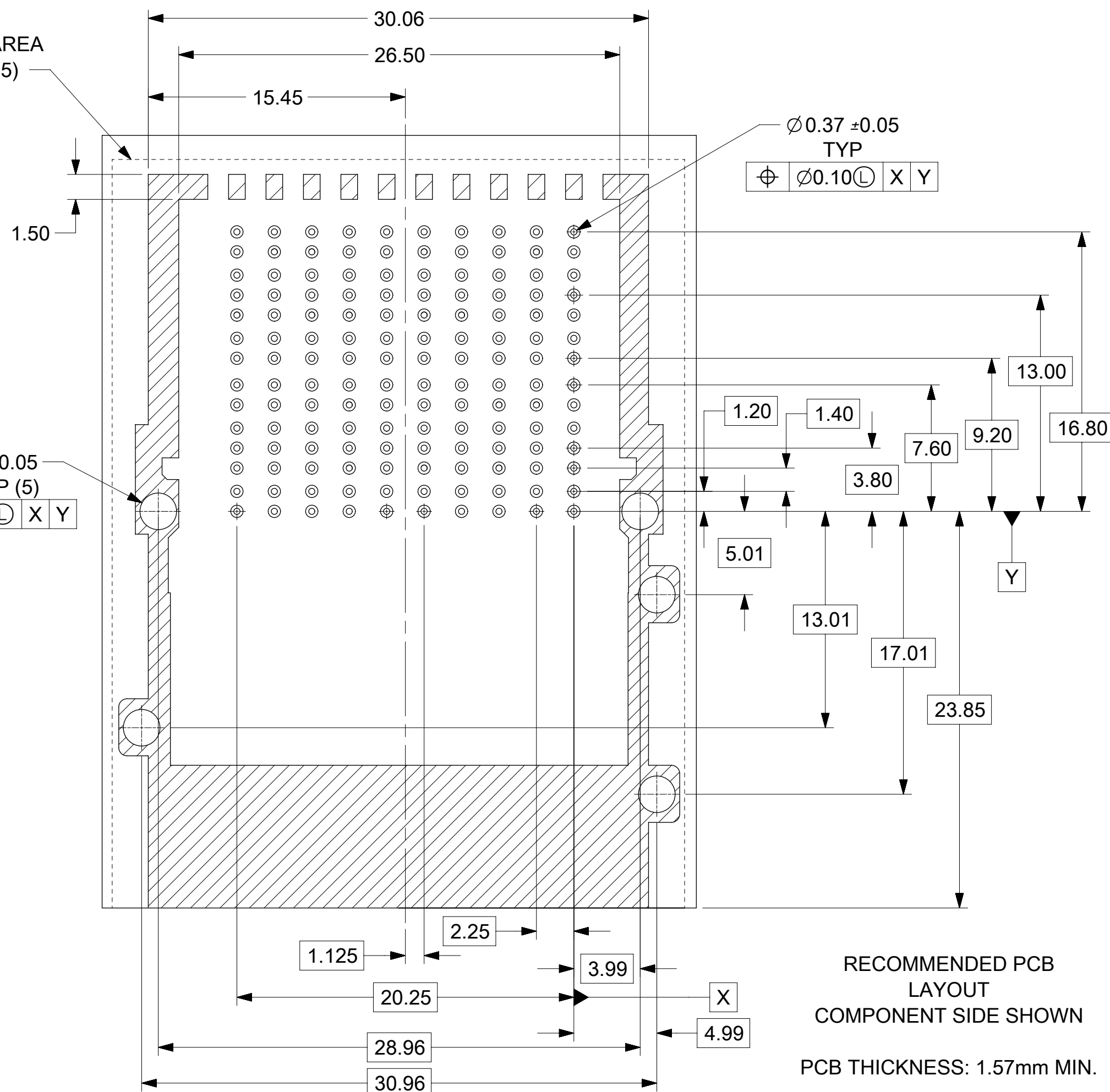


NOTES:

1. GROUNDS G1-G30 ARE ALL COMMON
GROUNDS G31-G60 ARE ALL COMMON
2. CROSS-HATCHED AREA TO BE CONDUCTIVE ON THE PCB.
3. RECOMMENDED DRILL SIZE FOR 0.37Ø FINISHED PTH IS 0.457mmØ (.018inØ(#77. DRILL))
4. RECOMMENDED ANNULAR RING AROUND 0.37Ø FINISHED PTH IS 0.73Ø
5. KEEP OUT AREA EXCEPTION:
WHEN ADJACENT CONNECTOR IS PRESENT IT WILL INTERLEAVE SHOWN KEEP OUT AREA)

KEEP OUT AREA (SEE NOTE 5)

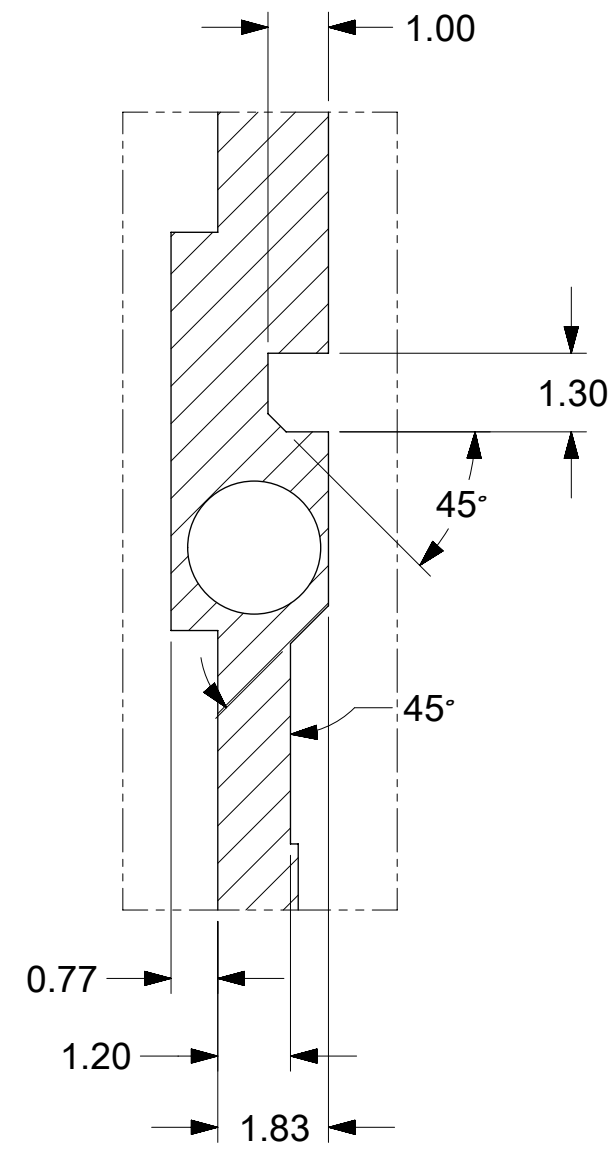
Ø2.20 ±0.05 PTH TYP (5)



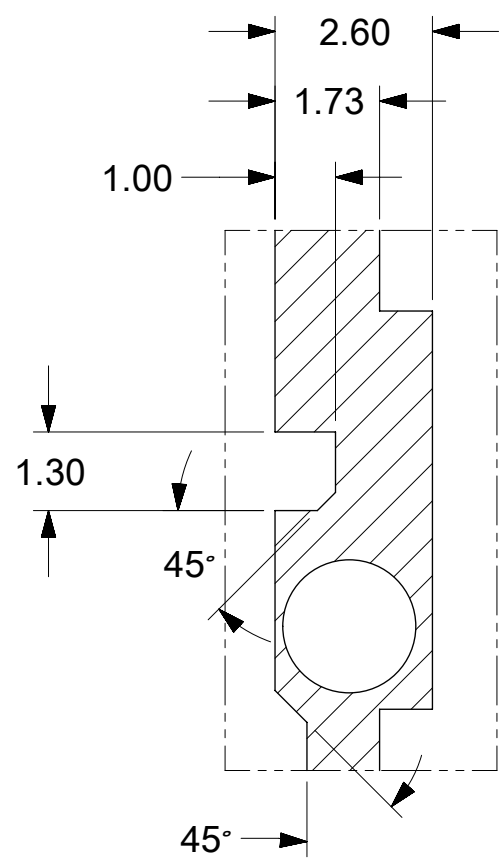
THIS DRAWING CONTAINS INFORMATION THAT IS PROPRIETARY TO MOLEX ELECTRONIC TECHNOLOGIES, LLC AND SHOULD NOT BE USED WITHOUT WRITTEN PERMISSION

ADD SPECS EC NO: 113374 DRWN: MHANUMAPPARE CHKD: DACHAMMER REV APPR: SMILLER	2016/11/29	2017/02/09	2017/02/14	GENERAL TOLERANCES (UNLESS SPECIFIED)	DIMENSION UNITS	SCALE	
				ANGULAR TOL ± 0.5 °	MM ONLY	4:1	
	4 PLACES ±			DACHAMME	DATE	2015/11/13	
	3 PLACES ±			CHKD BY	DATE		
				2 PLACES ± 0.25	DACHAMMER	2017/02/09	ZCD 90 OHM 16X STYLE 1 ASSEMBLY
				1 PLACE ±	SMILLER	2017/02/14	
				0 PLACES ±			
				DRAFT WHERE APPLICABLE MUST REMAIN WITHIN DIMENSIONS	DRAWING SIZE	THIRD ANGLE PROJECTION	PRODUCT CUSTOMER DRAWING
					C		SERIES
							MATERIAL NUMBER
							CUSTOMER
							173359
							SEE SHEET 2
							GENERAL MARKET
							DOCUMENT NUMBER
							SD-173359-0001
							DOC TYPE
							PSD
							DOC PART
							000
							SHEET NUMBER
							3 OF 6

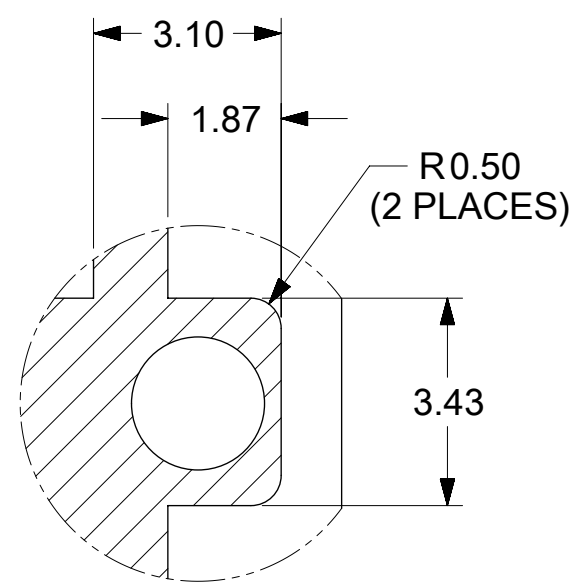
KEEP OUT AREAS



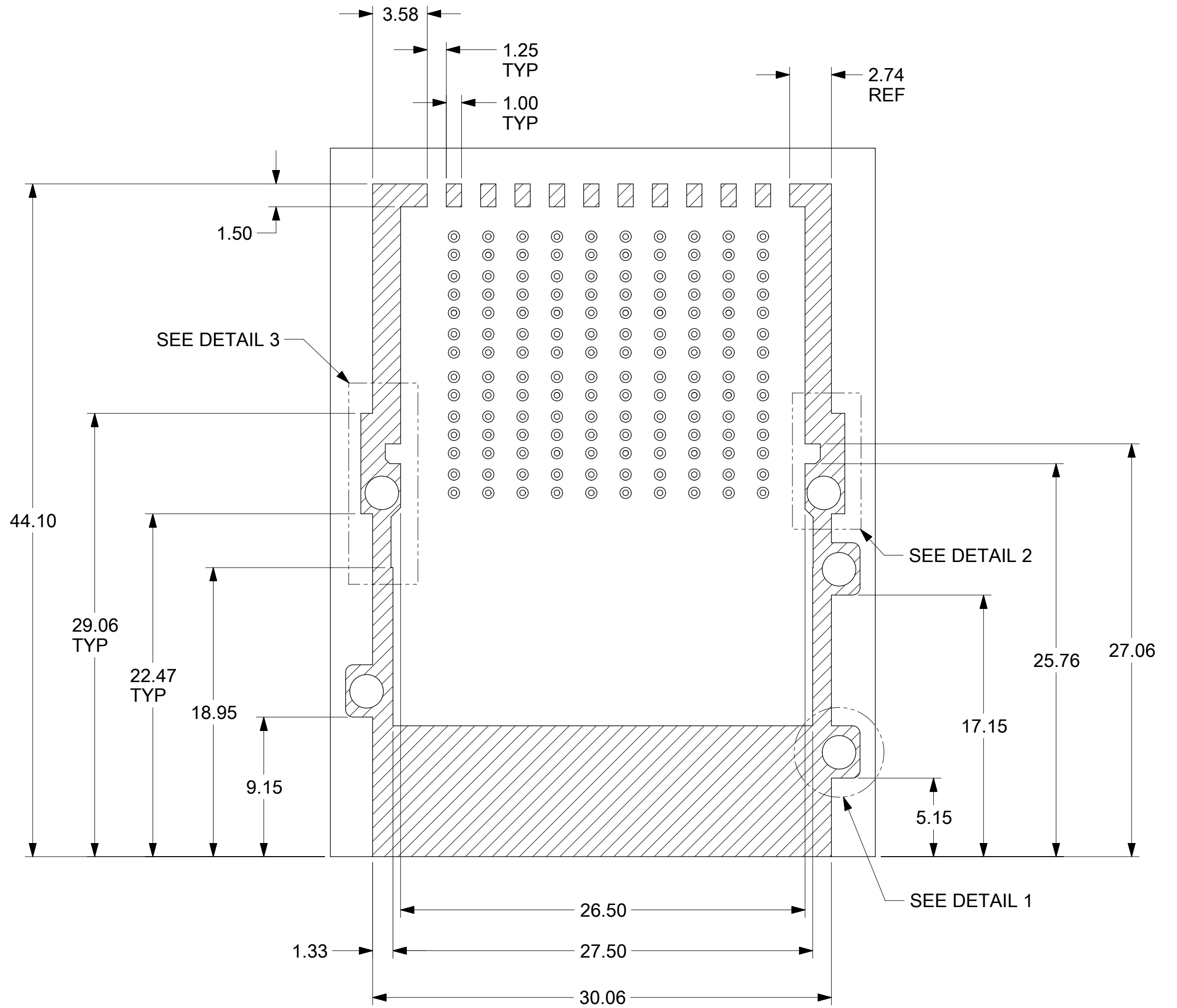
DETAIL 3
SCALE 8:1



DETAIL 2
SCALE 8:1

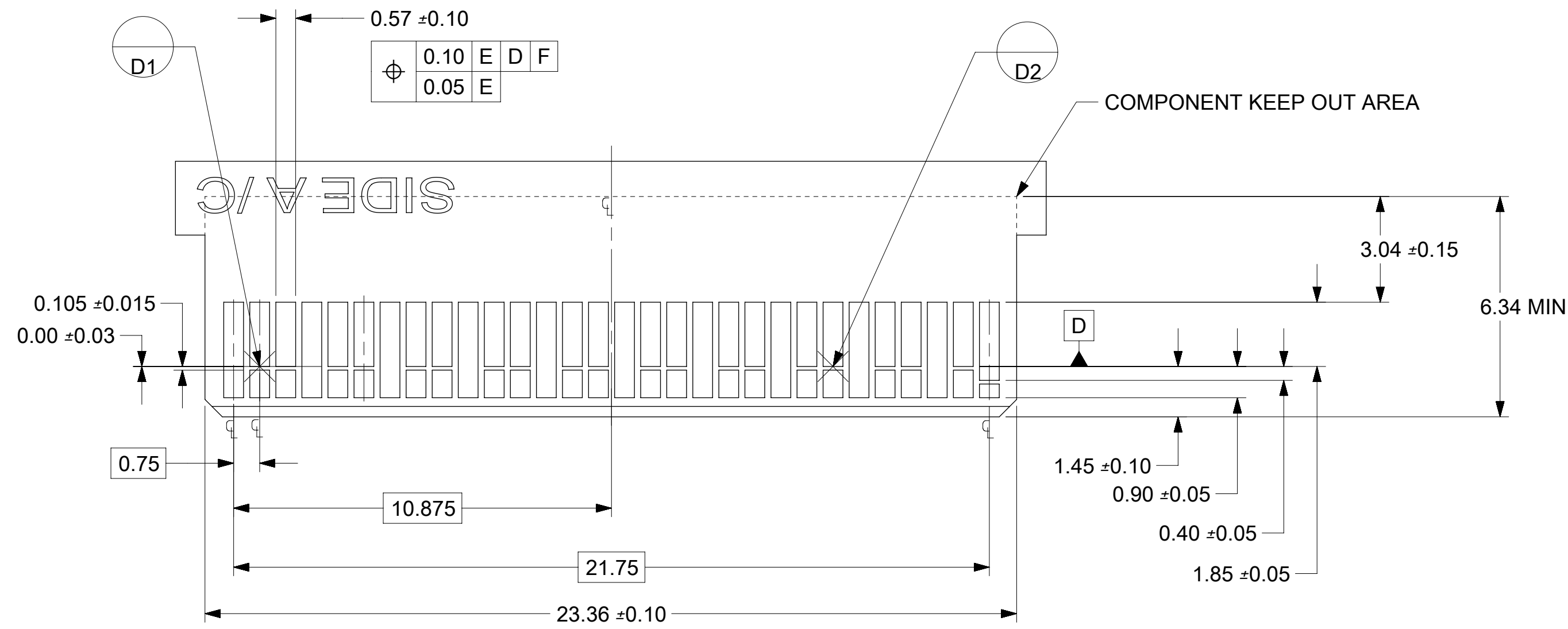
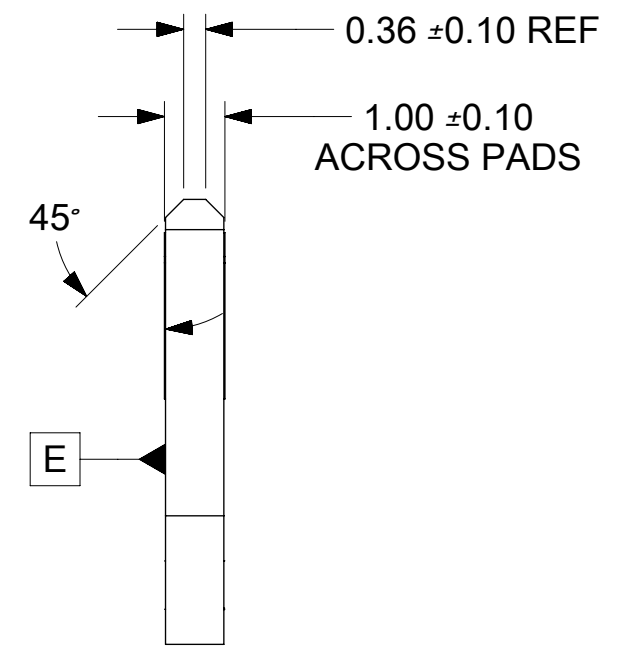
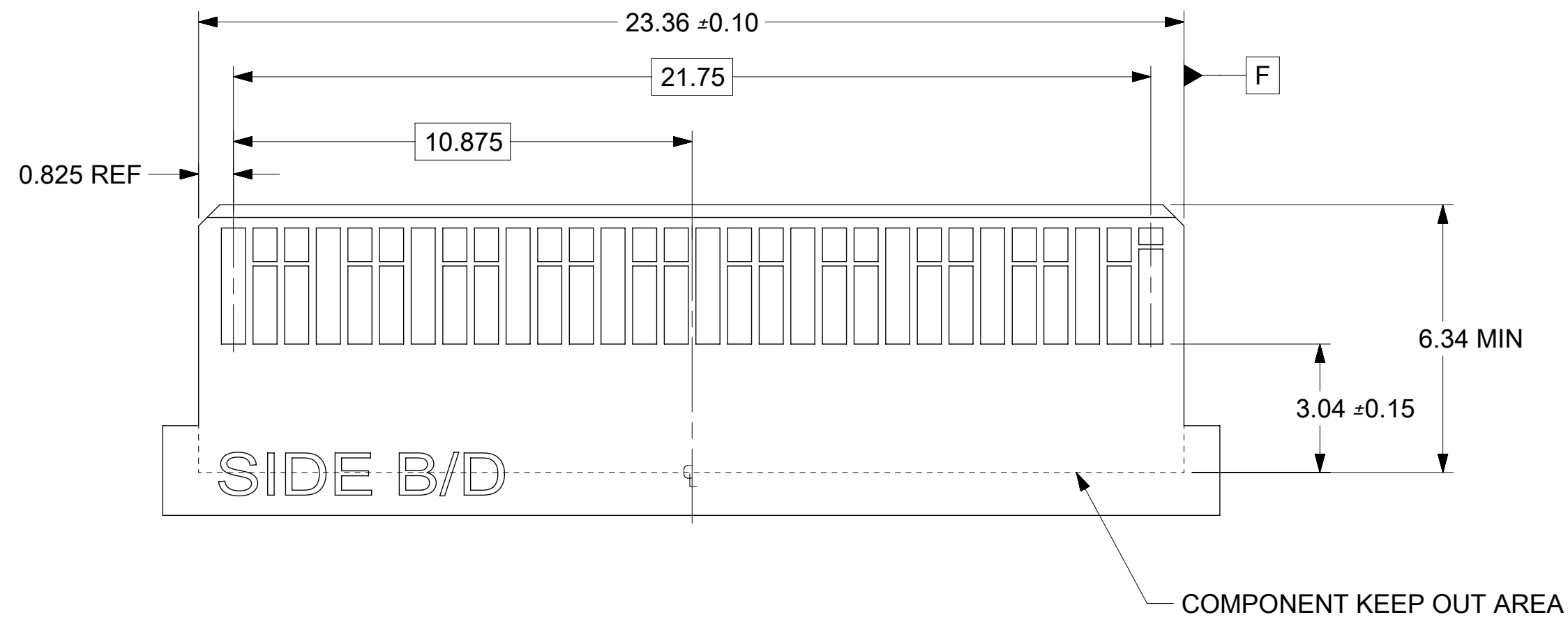


DETAIL 1
SCALE 8:1
(3 PLACES)



THIS DRAWING CONTAINS INFORMATION THAT IS PROPRIETARY TO MOLEX ELECTRONIC TECHNOLOGIES, LLC AND SHOULD NOT BE USED WITHOUT WRITTEN PERMISSION											
ADD SPECS EC NO: 113374 DRWN: MHANUMAPPARE CHKD: DACHAMMER REV / APPR: SMILLER	GENERAL TOLERANCES (UNLESS SPECIFIED)				DIMENSION UNITS		SCALE		molex		
	ANGULAR TOL ± 0.5 °				MM ONLY		4:1				
	4 PLACES ±		3 PLACES ±		DRWN BY		DATE		ZCD 90 OHM 16X STYLE 1 ASSEMBLY		
	2 PLACES ± 0.25		1 PLACE ±		DACHAMME		2015/11/13				
	0 PLACES ±		DRAFT WHERE APPLICABLE MUST REMAIN WITHIN DIMENSIONS		CHKD BY		DATE		PRODUCT CUSTOMER DRAWING		
	C		THIRD ANGLE PROJECTION		DACHAMMER		2017/02/09				
A		SERIES		MATERIAL NUMBER		CUSTOMER		173359 SEE SHEET 2 GENERAL MARKET			
A		DRAWING SIZE		THIRD ANGLE PROJECTION		DATE					SD-173359-0001 PSD 000 4 OF 6

MATE SIDE PCB DIMENSIONS

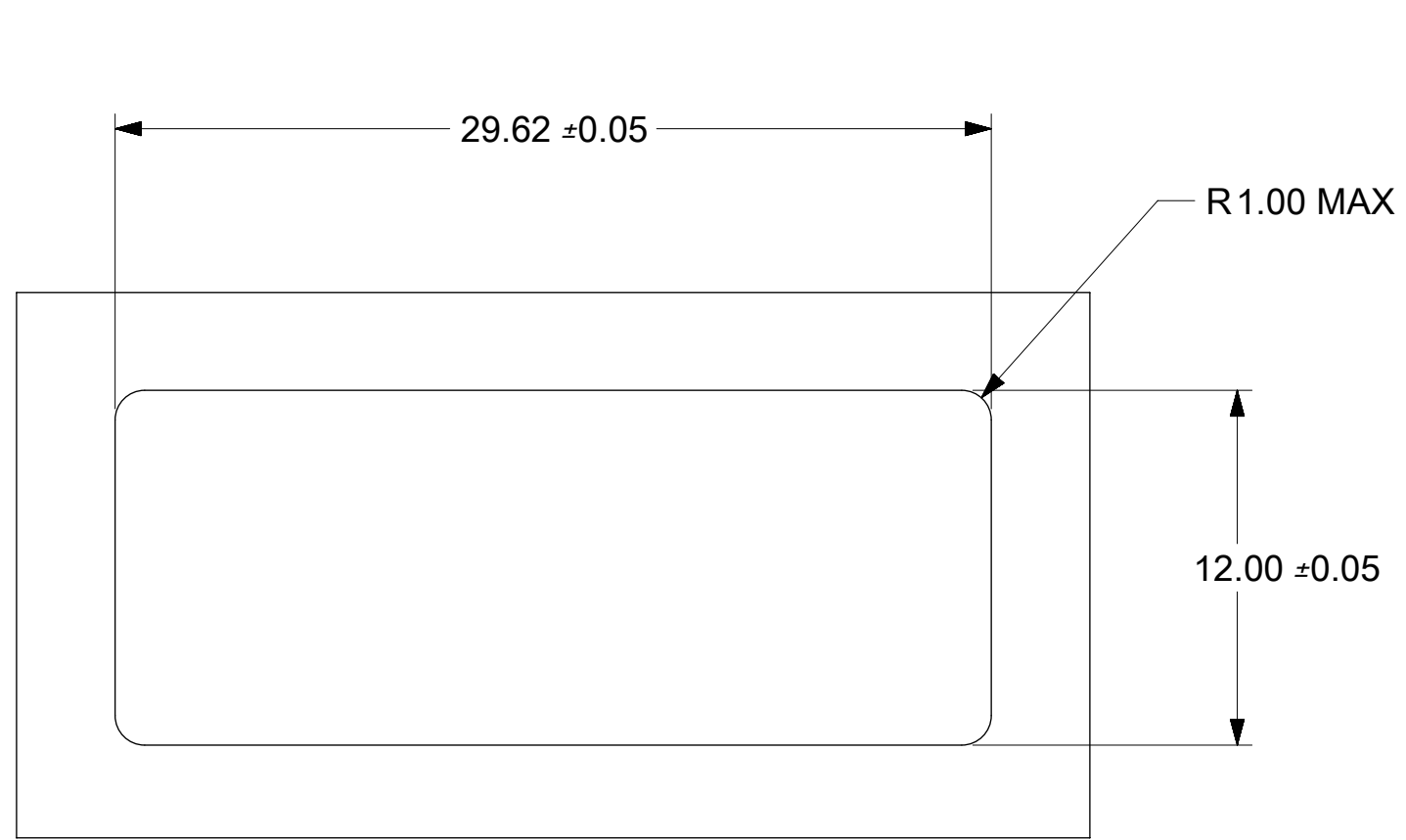


- NOTES:
- 0.05 MINIMUM KEEP OUT FOR SOLDER MASK AROUND ALL PADS
 - DATUM D TARGETS ARE DEFINED BY THE RESPECTIVE PAD CENTER LINES AND THE LEADING EDGE OF THE TARGET PADS

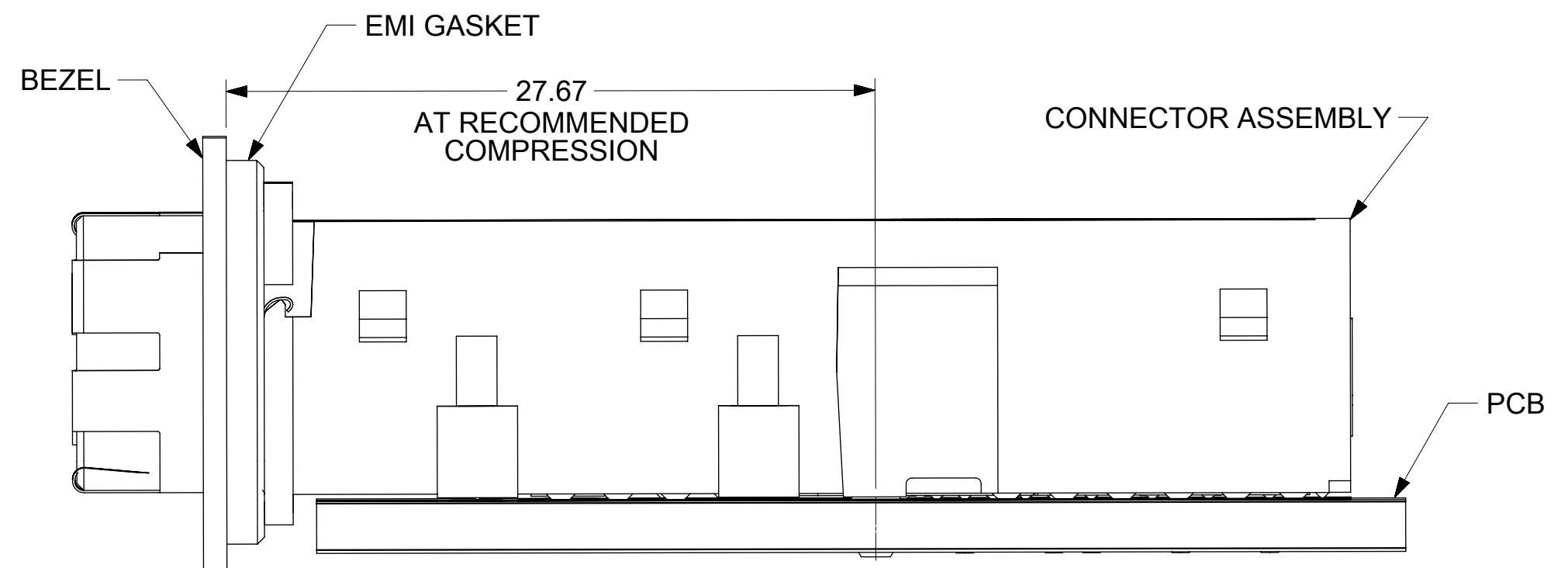
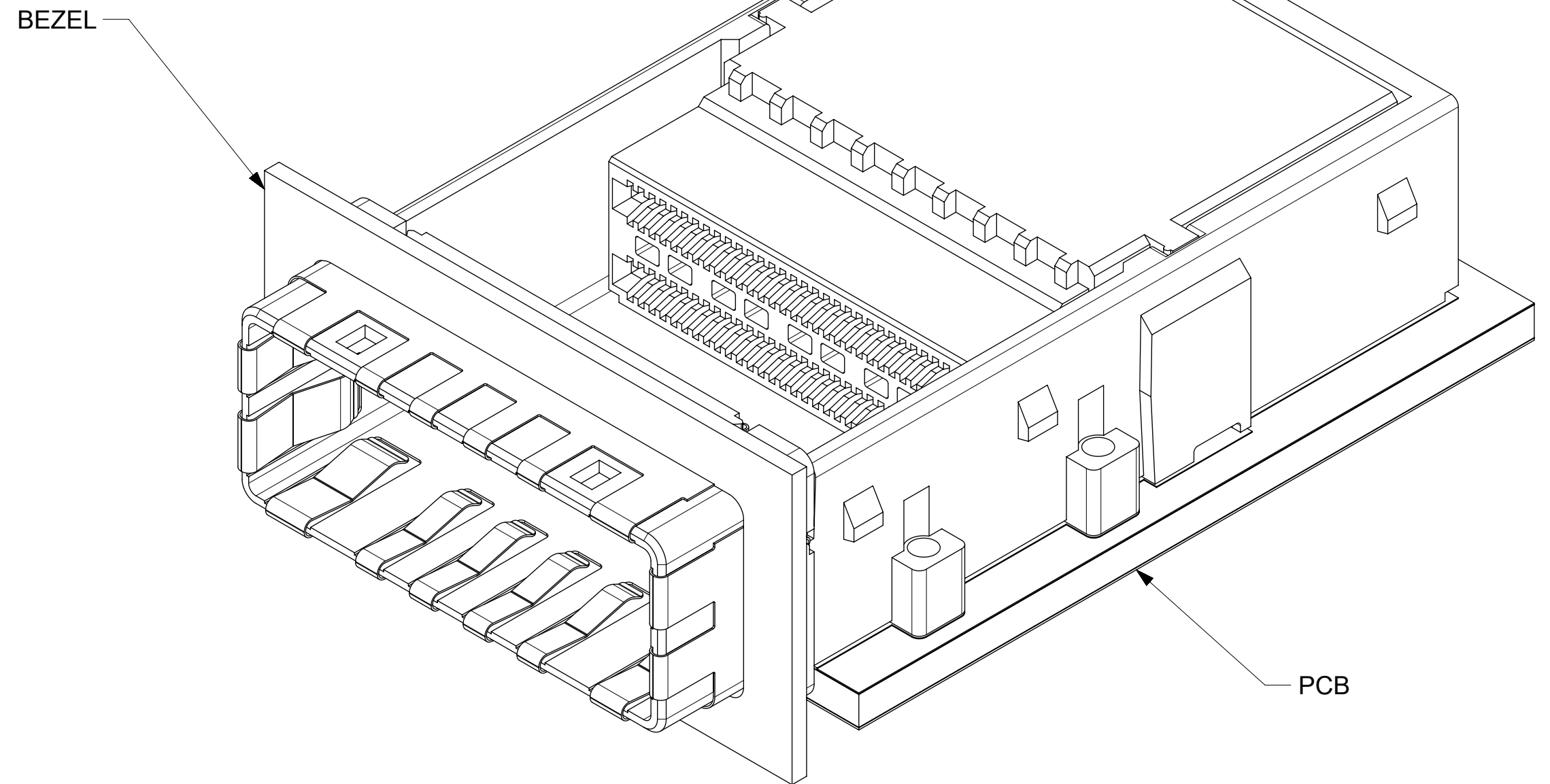
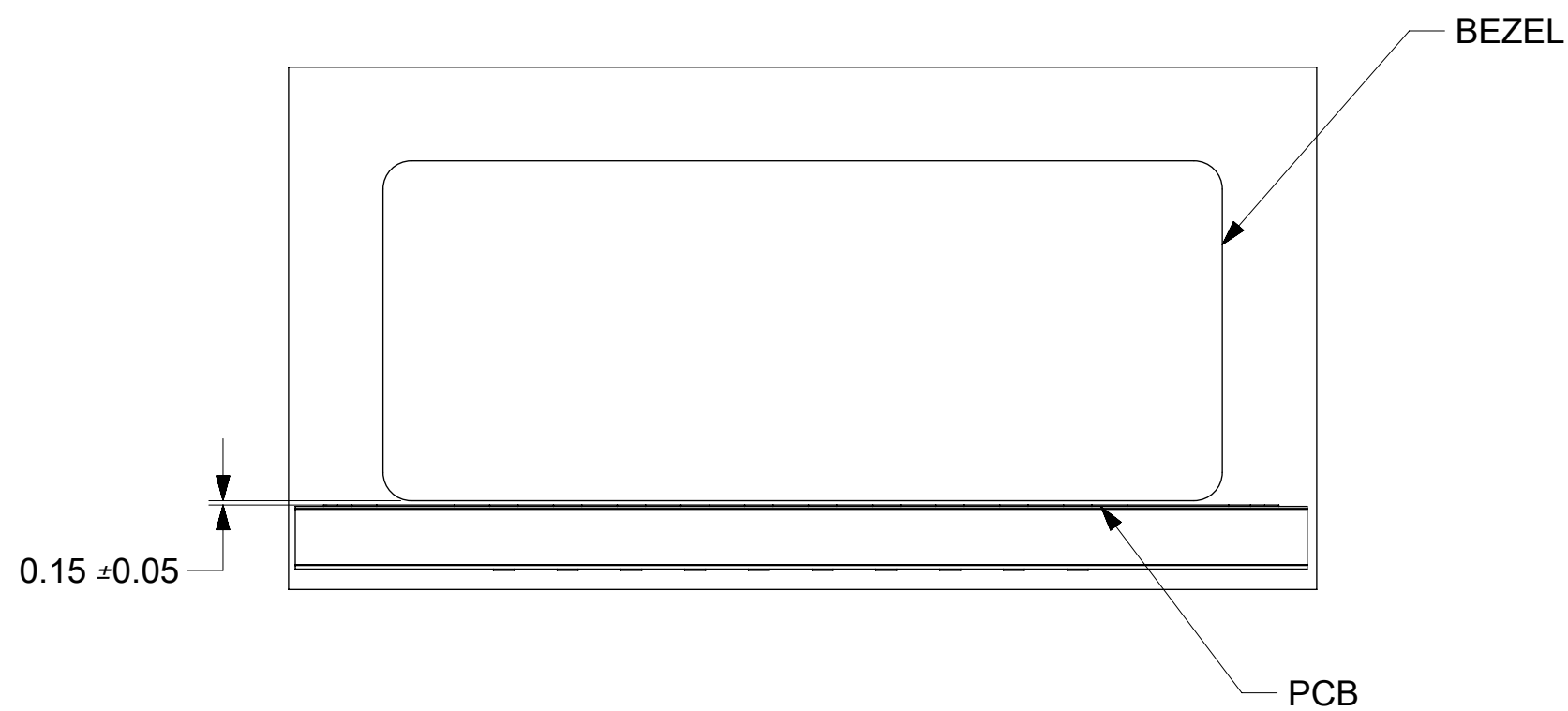
THIS DRAWING CONTAINS INFORMATION THAT IS PROPRIETARY TO MOLEX ELECTRONIC TECHNOLOGIES, LLC AND SHOULD NOT BE USED WITHOUT WRITTEN PERMISSION

ADD SPECS EC NO: 113374 DRWN: MHANUMAPPARE CHKD: DACHAMMER REV / APPR: SMILLER	GENERAL TOLERANCES (UNLESS SPECIFIED)		DIMENSION UNITS	SCALE		
	ANGULAR TOL ± 0.5 °		MM ONLY	2:1		
	4 PLACES ±	DRWN BY	DACHAMME	DATE		2015/11/13
	3 PLACES ±	CHKD BY	DACHAMMER	DATE		2017/02/09
2 PLACES ± 0.25	APPR BY	SMILLER	DATE	2017/02/14	PRODUCT CUSTOMER DRAWING SERIES: 173359 MATERIAL NUMBER: SEE SHEET 2 CUSTOMER: GENERAL MARKET	
1 PLACE ±	DRAWING SIZE	C	THIRD ANGLE PROJECTION	DOCUMENT NUMBER: SD-173359-0001		
0 PLACES ±	DRAFT WHERE APPLICABLE MUST REMAIN WITHIN DIMENSIONS			DOC TYPE: PSD DOC PART: 000 SHEET NUMBER: 5 OF 6		

PANEL MOUNT CONFIGURATION



BEZEL CUT-OUT
(NOT SUPPLIED)



ASSEMBLED VIEW

NOTE:
1. MINIMUM PITCH BETWEEN TWO ADJACENT CONNECTORS IS 34mm.
2. BEZEL THICKNESS = 0.80 TO 2.4 mm

THIS DRAWING CONTAINS INFORMATION THAT IS PROPRIETARY TO MOLEX ELECTRONIC TECHNOLOGIES, LLC AND SHOULD NOT BE USED WITHOUT WRITTEN PERMISSION											
ADD SPECS EC NO: 113374 DRWN: MHANUMAPPARE CHKD: DACHAMMER REV / APPR: SMILLER	GENERAL TOLERANCES (UNLESS SPECIFIED)			DIMENSION UNITS	SCALE	molex ZCD 90 OHM 16X STYLE 1 ASSEMBLY					
	ANGULAR TOL ± 0.5 °			MM ONLY	4:1						
	4 PLACES ±	DRWN BY		DATE		PRODUCT CUSTOMER DRAWING					
	3 PLACES ±	DACHAMME		2015/11/13							
	2 PLACES ± 0.25	CHKD BY		DATE		SERIES MATERIAL NUMBER CUSTOMER 173359 SEE SHEET 2 GENERAL MARKET					
	1 PLACE ±	DACHAMMER		2017/02/09							
0 PLACES ±	APPR BY		DATE		DOCUMENT NUMBER DOC TYPE DOC PART SHEET NUMBER SD-173359-0001 PSD 000 6 OF 6						
DRAFT WHERE APPLICABLE MUST REMAIN WITHIN DIMENSIONS			SMILLER								2017/02/14
A	DRAWING SIZE		THIRD ANGLE PROJECTION								
	C										