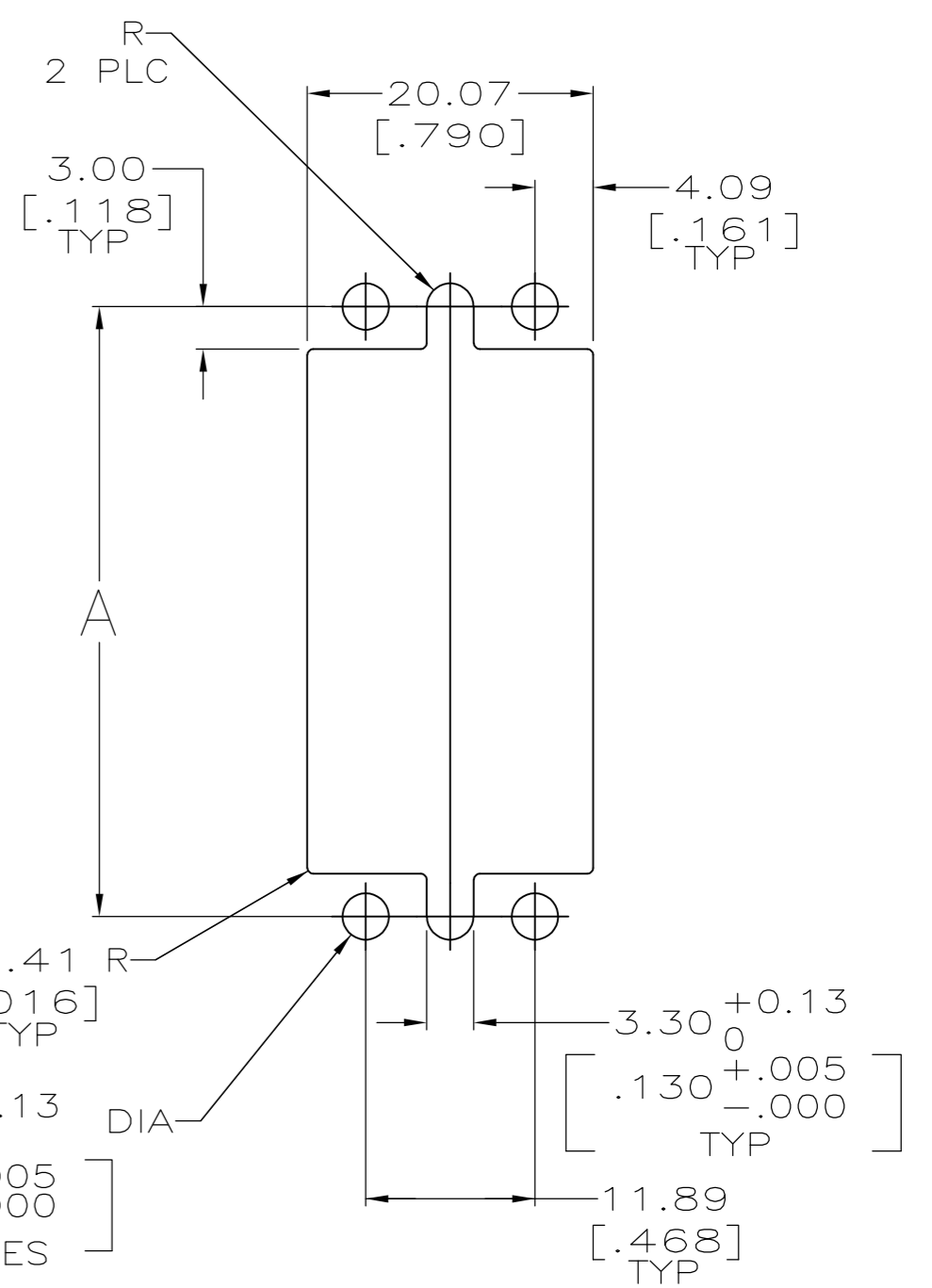
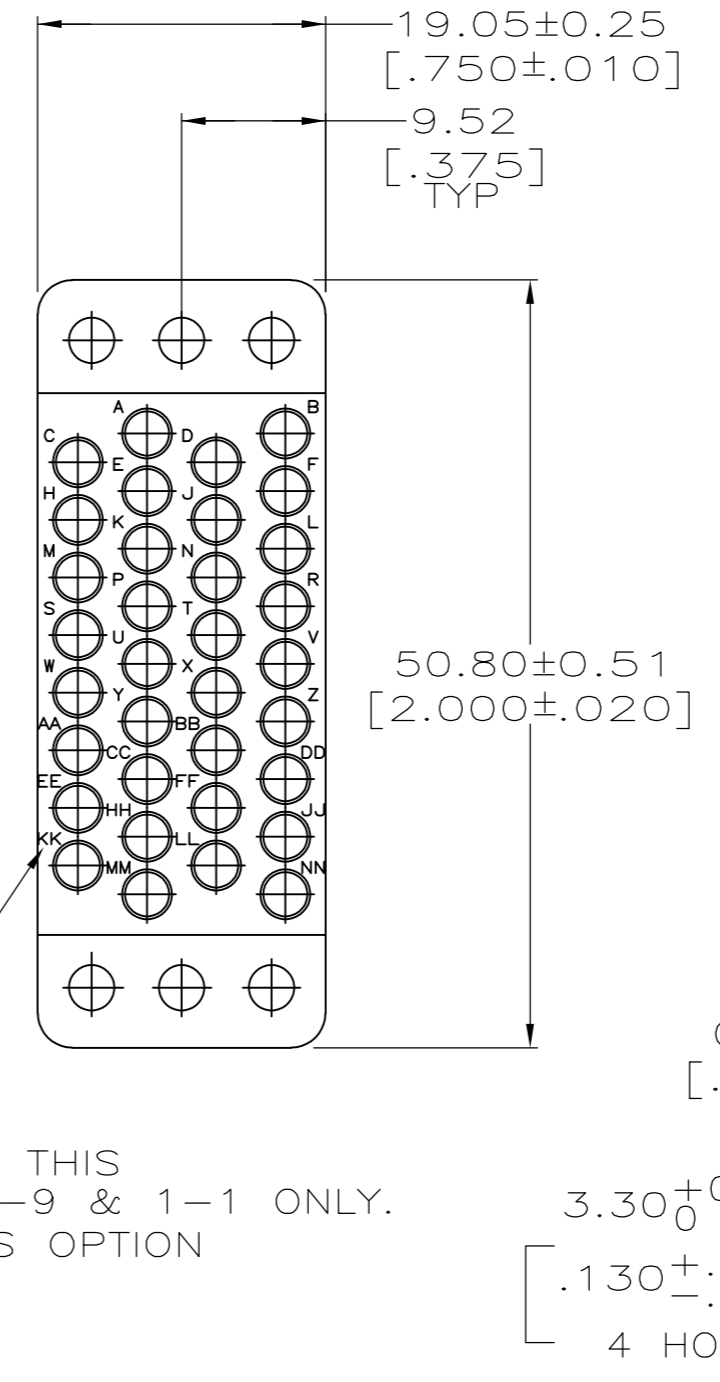
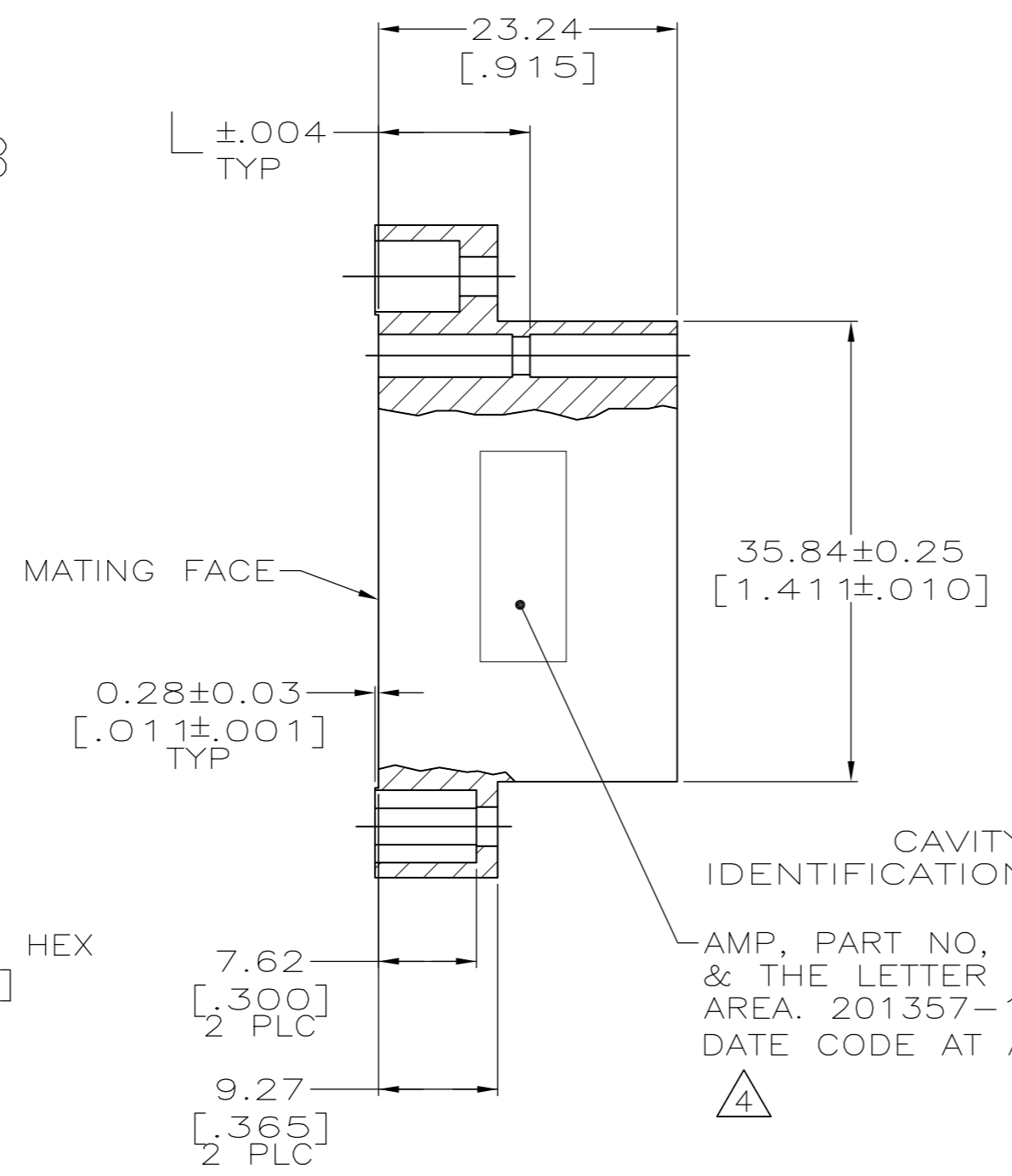
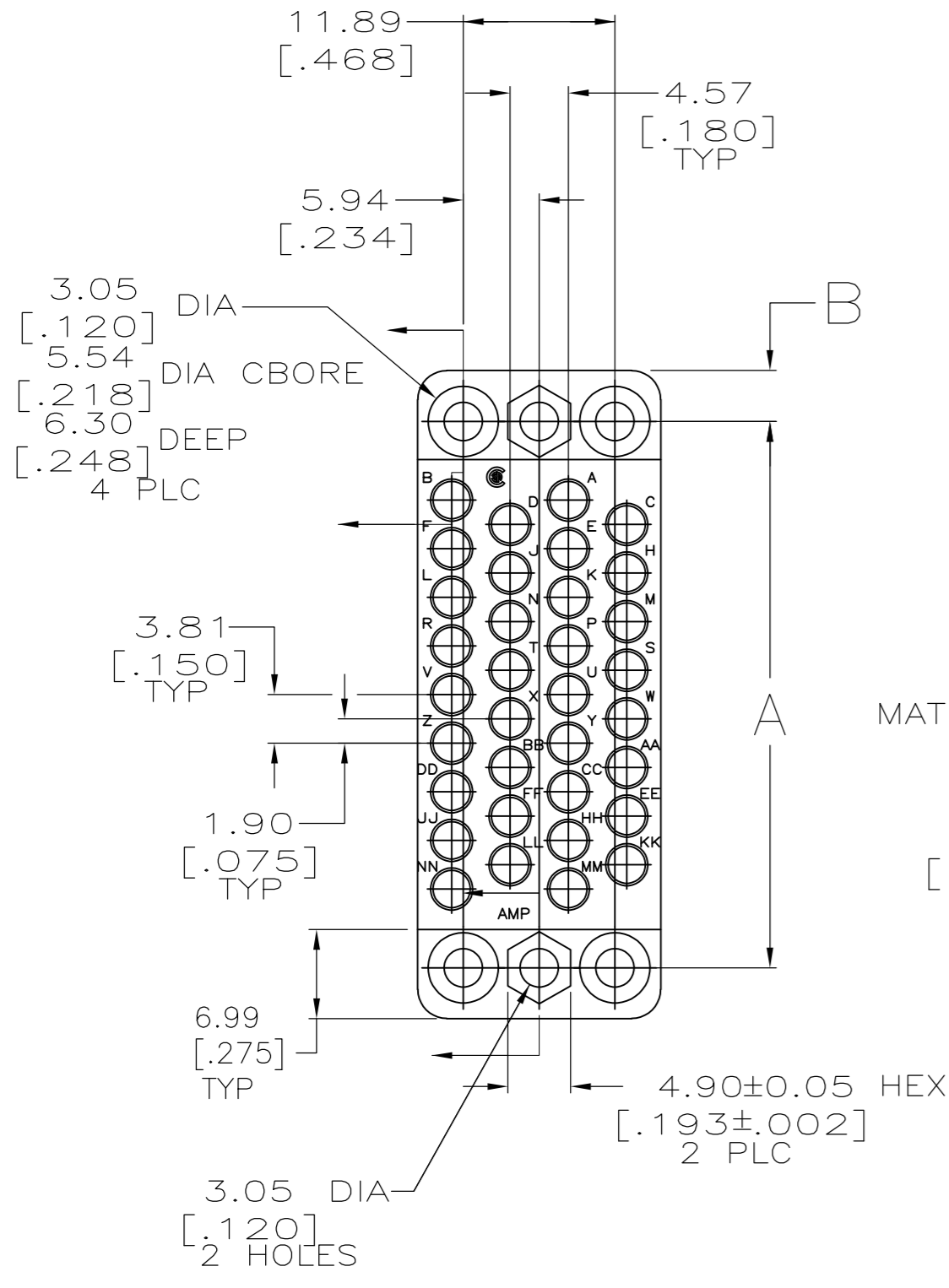


THIS DRAWING IS UNPUBLISHED. RELEASED FOR PUBLICATION
 © COPYRIGHT - By - ALL RIGHTS RESERVED.

LOC		DIST		REVISIONS			
P	LTR	DESCRIPTION		DATE	DWN	APVD	
FT	0	T2	REVISED PER ECO-11-005027		11MAR11	RK	HMR



RECOMMENDED PANEL CUTOUT

- 1 PHENOLIC, BLACK.
- 2 DIALLYL PHTHALATE, BLUE.
- 3. MATES WITH BLOCK 200838 & ACCOMMODATES TYPE II OR TYPE III #16 PIN OR SOCKET CONTACTS. EXCEPT FOR 201357-1, WHICH ACCEPTS ONLY PIN CONTACTS.
- 4 FOR 201357-9, KS 21303 L9 MARKED IN ADDITION TO THE AMP PART NO.

14.07 [.554]	3.99 [.157]	42.82 [1.686]	1	1-201357-1
14.07 [.554]	3.99 [.157]	42.82 [1.686]	1	1-201357-0
14.07 [.554]	3.86 [.152]	43.08 [1.696]	2	201357-9
14.07 [.554]	3.86 [.152]	43.08 [1.696]	2	201357-3
11.79 [.464]	3.99 [.157]	42.82 [1.686]	1	201357-1
L	B	A	MATERIAL	PART NUMBER

THIS DRAWING IS A CONTROLLED DOCUMENT.		DWN	01/31/92	STE TE Connectivity	
DIMENSIONS: mm [INCHES]		L.SIPE	2-4-92		
TOLERANCES UNLESS OTHERWISE SPECIFIED:		CHK	R.STONE	NAME	
0 PLC ± -		APVD	-	PRODUCT SPEC	
1 PLC ± -		APPLICATION SPEC	-	WEIGHT	
2 PLC ± 0.13 [.005]		SCALE	2:1	SHEET 1 of 1	
3 PLC ± -		REV	T2	RESTRICTED TO	
4 PLC ± -		SIZE CAGE CODE DRAWING NO			
ANGLES ± -		A2 00779 C=201357			
FINISH		CUSTOMER DRAWING			