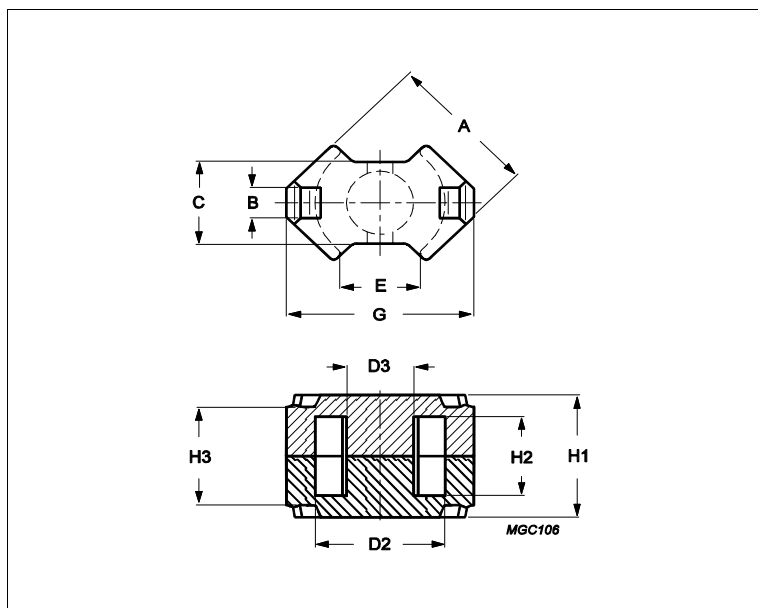


## Core **RM12/I**



Effective parameters			
	Parameter	Value	Unit
$\Sigma(I/A)$	core factor (C1)	0.388	mm <sup>-1</sup>
<b>Ve</b>	effective volume	8340	mm <sup>3</sup>
<b>Le</b>	effective length	56.6	mm
<b>Ae</b>	effective area	146	mm <sup>2</sup>
<b>Amin</b>	minimum area	125	mm <sup>2</sup>
<b>m</b>	RM12/I	≈ 46	g/set

Dimensions for product: RM12/I

	Nom	Tol +	Tol -	Max	Min	Unit
<b>A</b>	29.80	0.00	1.10	29.80	28.70	mm
<b>B</b>	5.00			5.00	5.00	mm
<b>C</b>	16.10	0.00	0.50	16.10	15.60	mm
<b>D2</b>	25.00	1.00	0.00	26.00	25.00	mm
<b>D3</b>	12.80	0.00	0.40	12.80	12.40	mm
<b>E</b>					12.90	mm
<b>G</b>	37.40	0.00	1.30	37.40	36.10	mm
<b>H1</b>	24.50	0.10	0.10	24.60	24.40	mm
<b>H2</b>	16.80	0.60	0.00	17.40	16.80	mm
<b>H3</b>	21.60	0.25	0.25	21.85	21.35	mm

Inductance factor

Material	Value	Tol +	Tol -	Unit
3C94	5600	25%	25%	nH/turns <sup>2</sup>
3C95	6790	25%	25%	nH/turns <sup>2</sup>
3C96	5050	25%	25%	nH/turns <sup>2</sup>
3C97	6790	25%	25%	nH/turns <sup>2</sup>
3F36	3600	25%	25%	nH/turns <sup>2</sup>
3F4	2600	25%	25%	nH/turns <sup>2</sup>

Power loss: 3C94

Measuring conditions			Max	Unit
100 kHz	200 mT	100 °C	4.200	W/set

## Core **RM12/I**

Power loss: 3C95				
Measuring conditions			Max	Unit
100 kHz	200 mT	100 °C	4.000	W/set
100 kHz	200 mT	25 °C	4.300	W/set
Power loss: 3C96				
Measuring conditions			Max	Unit
100 kHz	200 mT	100 °C	3.800	W/set
400 kHz	50 mT	100 °C	1.500	W/set
Power loss: 3C97				
Measuring conditions			Max	Unit
100 kHz	200 mT	60 °C	4.200	W/set
100 kHz	200 mT	120 °C	4.000	W/set
100 kHz	200 mT	140 °C	5.000	W/set
Power loss: 3F36				
Measuring conditions			Max	Unit
500 kHz	50 mT	100 °C	1.300	W/set
500 kHz	100 mT	100 °C	9.600	W/set
Power loss: 3F4				
Measuring conditions			Max	Unit
1000 kHz	30 mT	100 °C	2.500	W/set
3000 kHz	10 mT	100 °C	4.200	W/set

Bsat					
Measuring conditions			Material	Min	Unit
25 kHz	250 A/m	100 °C	3C94	320	mT
25 kHz	250 A/m	100 °C	3C95	330	mT
25 kHz	250 A/m	100 °C	3C96	340	mT
25 kHz	250 A/m	100 °C	3C97	330	mT
25 kHz	250 A/m	100 °C	3F36	340	mT
25 kHz	250 A/m	100 °C	3F4	330	mT

Accessories		
Ordering name	Description	Ordering code
CLI/P-RM12/I	Clip, with ground pin	432202134911
CPV-RM12/I-1S-12PD	Coil former, termoplastic, vertical	432202134112
CPV-RM12/I-1S-12PD-TZ	Coil former, termoplastic, vertical	432202106671
CSV-RM12-1S-11P-T	Coil former, termoset, vertical	432202104551
CSV-RM12-1S-12P-TZ	Coil former, termoset, vertical	432202106621