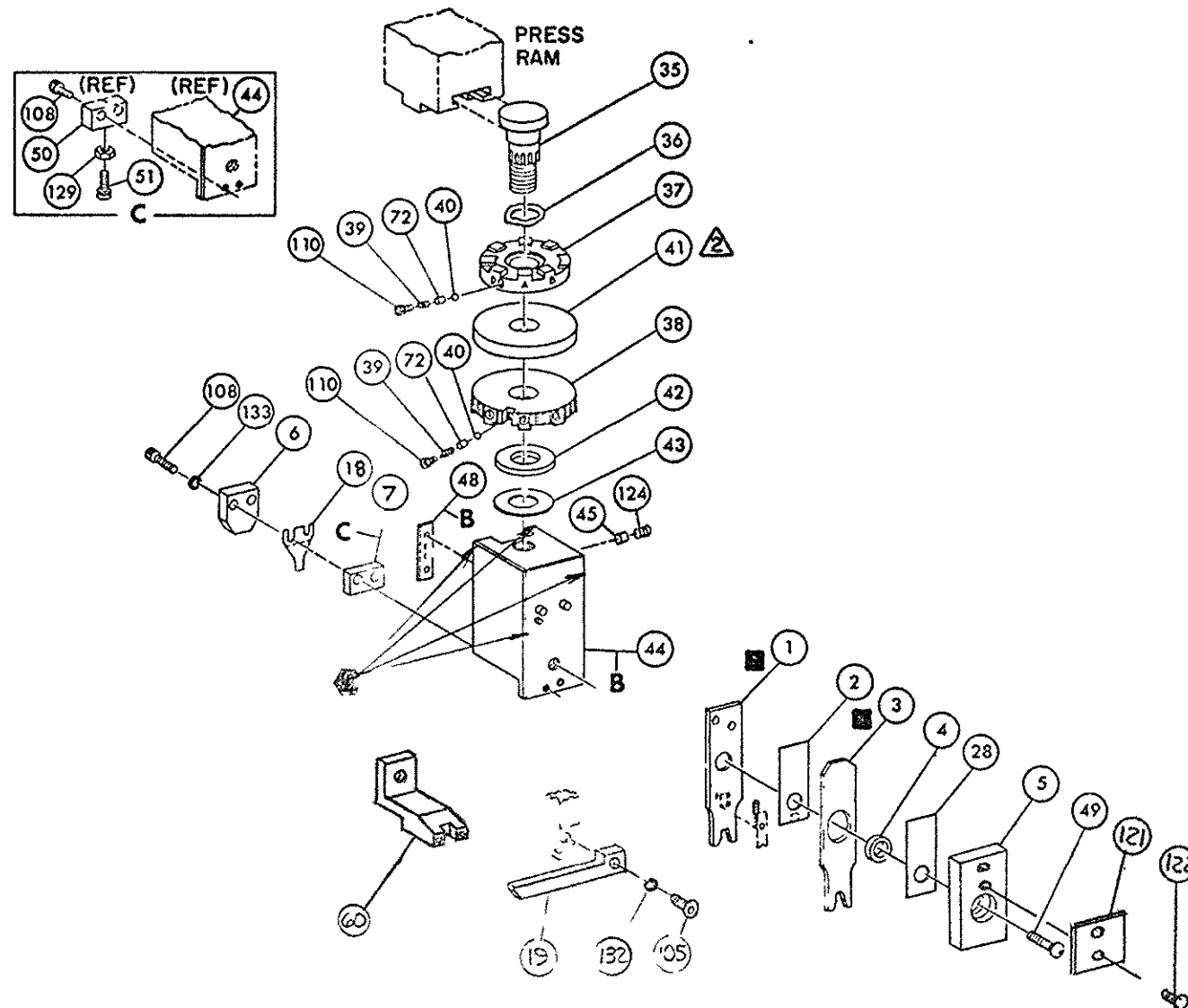
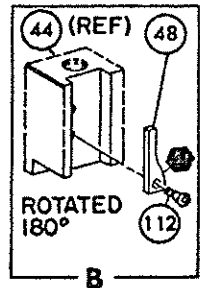


THIS IS A CONTROLLED DOCUMENT.

SPECIAL PRE-FEED 1 5/8" STROKE



NOTES:

1- ONLY THE ITEMS WITH QUANTITIES SPECIFIED ON PARTS LIST ARE USED ON THIS APPLICATOR.

△ USED IN PLACE OF ITEM 38 WHEN INSULATION CRIMP IS NOT USED

3- FEED PIVOT CENTER HOLE

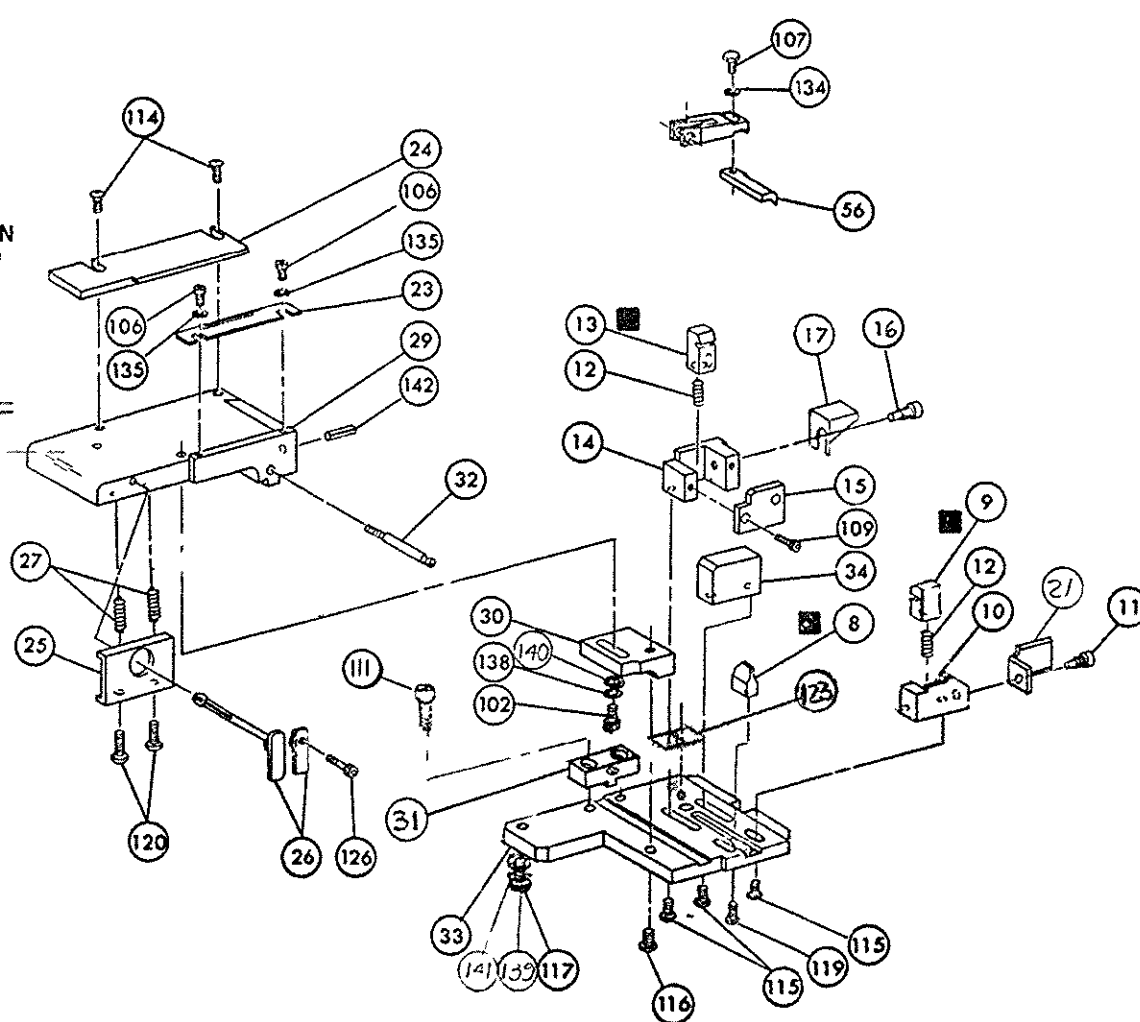
△ SEE REMARKS

△ TERMINAL DEFLECTOR TO BE ADDED TO MACH WIRE STOP MOUNT

KEY 816472-1

△ RECOMMENDED SPARE PARTS

● GREASE WEEKLY



QTY	PART NO	DESCRIPTION	ITEM NO	QTY	PART NO	DESCRIPTION	ITEM NO
1	459615-1	PLATE, TERMINAL NO.	145				59
2	690701-2	PLATE, SERIAL NO.	144				58
			143				57
1	4-21028-0	PIN, SLOT SPR ( .093 DIA X .75) STR G PLATE	142	REF	694433-6	PAWL FEED	56
1	21899-2	WASHER, FLAT (NO 10) MOUNTING	141				55
1	21899-2	WASHER, FLAT (NO 10) S G ADJ BLOCK	140				54
1	21024-5	WASHER, LOCK (NO 10) MOUNTING	139				53
1	21024-5	WASHER, LOCK (NO 10) STRIP GUIDE ADJ BLOCK	138				52
			137	1	811242-2	BUMPER, HOLDDOWN	51
			136	1	690753-1	SPACER, TONKER	50
2	21024-2	WASHER, LOCK (NO 4) FRONT STRIP GUIDE	135	1	7-21002-9	BOLT, CRIMPER (BUT HD 5/16-24UNF X 100)	49
REF	21024-4	WASHER, LOCK (NO 8) FEED FINGER	134	1	690602-6	CAM PRE FEED 1.6Z STROKE	48
2	21024-4	WASHER, LOCK (NO 8) DEPRESSOR	133				47
REF	21024-4	WASHER, LOCK (NO 8) STRIPPER	132				46
			131	1	690191-1	PLUG, NYLON	45
			130	1	455673-1	RAM	44
			129	1	690125-1	WASHER, LAMINATED	43
			128	1	690124-9	WASHER, RAM	42
			127			DISC, SPACER	41
			126	2	23241-6	BALL, STEEL	40
			125	2	690170-1	SPRING, COMPRESSION	39
1	21009-2	SCR, SKT SET (1/4-20 X 25) (LOC WEL) RAM	124	1	690142-1	DISC, INSULATION	38
1	690701-2	PLATE, I.D.	123	1	6-692155-5	DISC, WIRE	37
4	21017-2	SCR, DRIVE (#2 X .188 LG)	122	1	22480-5	WASHER, SPRING	36
1	819347-1	PLATE, I.D.	121	1	690212-1	POST, RAM	35
2	3-21002-0	SCR, BUT HD SKT CAP (10-32 X .80) DRAG	120	1	692776-1	SUPPORT, TERMINAL	34
1	22733-8	SCR, BUT HD SKT CAP (8-32 X .38) (LOC-WEL) ANVIL	119	1	462544-1	PLATE, BASE SPECIAL	33
			118	1	690432-3	SCREW, ADJUSTMENT	32
1	3-21002-9	SCR, SOC HD SKT CAP (10-32 X 1.00) MOUNTING	117	1	462543-1	BLOCK SCREW SPECIAL	31
1	2-21002-7	SCR, BUT HD SKT CAP (10-32 X 50) SG ADJ BLOCK	116	1	455689-1	BLOCK, STRIP GUIDE ADJ	30
4	2-21002-2	SCR, BUT HD SKT CAP (8-32 X 50) SHEAR	115	1	455671-1	PLATE, STRIP GUIDE	29
2	2-21002-2	SCR, BUT HD SKT CAP (8-32 X 50) R STRIP GUIDE	114			SPACER, FRONT SHEAR DEPRESSOR	28
			113	2	1-22284-0	SPRING, DRAG	27
1	1-21002-7	SCR, BUT HD SKT CAP (6-32 X 50) CAM	112	1	690546-1	LEVER, DRAG RELEASE	26
2	2-21000-7	SCR SKT HD CAP (8-32 X 50) SCR BLOCK	111	1	240792-1	DRAG, STOCK	25
2	23030-1	SCR, SKT HD CAP (6-32 X 25) (LOC WEL) CP DISC	110	1	6-690504-0	GUIDE STRIP (REAR)	24
			109	1	690438-1	GUIDE, STRIP (FRONT)	23
2	2-21000-7	SCR, SKT HD CAP (8-32 X 30) DEPRESSOR (REAR)	108				22
REF	2-21002-1	SCR, BUT HD MACH (8-32 X 30) FEED FINGER	107	1	463756-1	GUIDE SCRAP	21
2	1-21000-3	SCR, SKT HD CAP (4-40 X 25) F STRIP GUIDE	106				20
REF	2-21002-1	SCR BUT D CAP (8-32 X 30) FEED FINGER	105	REF	462615-1	STRIPPER	19
			104			HOLDER, TERMINAL	18
			103			GUARD, CHIP (REAR)	17
1	3-22603-1	SCR, HEX HD CAP (10-32 X 38) SG ADJ BLOCK	102			STOP, SHEAR (REAR)	16
			101			PLATE, SHEAR (REAR)	15
			79			HOLDER, SHEAR (REAR)	14
			78			SHEAR, FLOAT (REAR)	13
2	463310-6	BLADE STRIPPING (#22)	77	1	5-22280-0	SPRING, SHEAR	12
1	816470-1	DEFLECTOR, TERMINAL A	76	1	690461-2	STOP, SHEAR (FRONT)	11
			75	1	462548-1	HOLDER, SHEAR (FRONT) SPECIAL	10
			74	1	462547-1	SHEAR, FLOAT (FRONT) SPECIAL	9
			73	1	690514-8	ANVIL	8
2	690603-1	SPRING, ASSIST	72			SPACER, DEPRESSOR (REAR)	7
			71			DEPRESSOR, SHEAR (REAR)	6
			70			DEPRESSOR, SHEAR (FRONT) SPECIAL	5
			69			SPACER, TUBULAR, INS CRIMPER	4
			68			CRIMPER, INSULATION	3
			67			SPACER, CRIMPER	2
			66			CRIMPER, WIRE	1
			65				
			64				
			63				
			62				
			61				
			60				
			59				

QTY	PART NO	DESCRIPTION	ITEM NO	QTY	PART NO	DESCRIPTION	ITEM NO
REF	816472-1	MOUNT WIRE STOP	60				

REMARKS	NO	REV
APPL USED ON MACHINE PART NO	MACH SERIAL NO	TO APPLY TERMINAL
CUSTOMER NAME	APPI SERIAL NO	DISTRIBUTION
ADDRESS	PURCHASE ORDER	ORIGINAL
CITY	ENG APP	CUSTOMER COPY
		FIELD ENG COPY

CRIMPING DATA	APPLICATOR WILL APPLY
CRIMP SIZE: .036	PIN: 66332
CRIMP TYPE: 24	SOC: 66331
WIRE SIZE: .042	
WIRE LENGTH: 20	
WIRE RANGE: .038	
CRIMP FEED: .500	
CRIMP INST: A1	
WIRE RANGE: 24-22	
INSULATION RANGE: .080-1.00	
INSULATION RANGE: 463345-1	
REMARKS: #20 WIRE IS NOT RECOMMENDED	

REVISION RECORD	APP DATE	PIF LTR	REVISION RECORD	APP DATE	PIF LTR
J1 ECL 05-01222			J1 ECL 05-01222		
J1 0150-7275-96			J1 0150-7275-96		
J1 0150-6703-96			J1 0150-6703-96		

REVISION RECORD	APP DATE	PIF LTR	REVISION RECORD	APP DATE	PIF LTR
J1 ECL 05-01222			J1 ECL 05-01222		
J1 0150-7275-96			J1 0150-7275-96		
J1 0150-6703-96			J1 0150-6703-96		