

| ATLANTIC VERSION TERMINATOR INTERFACE ADAPTER | PART NUMBER | REVISION                 | DESCRIPTION              | FEED TYPE         | APPLICATOR STYLE CONVERSION CHART |                       |           |             |           |           |                        |
|---|-------------|--------------------------|--------------------------|-------------------|-----------------------------------|-----------------------|-----------|-------------|-----------|-----------|------------------------|
|   |             |                          |                          |                   | CONVERT TO                        | PART NUMBERS REQUIRED |           |             |           |           |                        |
|   | 2151762-1   | A                        | FINE CRIMP HEIGHT ADJUST | MECHANICAL        | PNEUMATIC FEED                    | 2119950-1             | 1338685-1 | 5-18022-5   | 2119641-1 | 2119799-1 | 2063440-1              |
|   | 2151762-2   | A                        | FINE CRIMP HEIGHT ADJUST | PNEUMATIC         | SERVO LATCH PLATE                 | 2119951-1             | -         | 8-2151762-5 | 1901094-3 | -         | 2168400-6 (QUANTITY 2) |
|   |             |                          |                          |                   | SMART APPLICATOR                  | 2161326-1             | -         | 8-2151762-4 | -         | -         |                        |
|   |             |                          |                          |                   | MECHANICAL FEED                   | 2119949-1             | 1338685-1 | 5-18022-5   | 2119653-1 | -         |                        |
|   | 2151762-5   | A                        | FINE CRIMP HEIGHT ADJUST | SERVO LATCH PLATE | SERVO LATCH PLATE                 | 2119951-1             | -         | 8-2151762-5 | 1901094-3 | -         | 2168400-6 (QUANTITY 2) |
|   |             |                          |                          |                   | SMART APPLICATOR                  | 2161326-1             | -         | 8-2151762-4 | -         | -         |                        |
|   | 2151762-6   | A                        | NON-CRIMP HEIGHT ADJUST  | SERVO LATCH PLATE | MECHANICAL FEED                   | 2119949-1             | 1338685-1 | 5-18022-5   | 2119653-1 | -         | -                      |
| PNEUMATIC FEED                                |             |                          |                          |                   | 2119950-1                         | 1338685-1             | 5-18022-5 | 2119641-1   | 2119799-1 | 2063440-1 |                        |
| 2151762-7                                     | A           | FINE CRIMP HEIGHT ADJUST | NONE                     | -                 | -                                 | -                     | -         | -           | -         | -         |                        |
| 7-2151762-7                                   | A           | CRIMP TOOLING KIT        | -                        | -                 | -                                 | -                     | -         | -           | -         | -         |                        |

| APPLICATOR DATA                   |                |      |
|-----------------------------------|----------------|------|
| CRIMP WIRE                        | SIZE           | TYPE |
| WIRE                              | 1.35 mm [.053] | F    |
| INSUL                             | 1.65 mm [.065] | O    |
| APPLICATOR INSTRUCTIONS 408-10389 |                |      |

| TERMINAL DATA: YAZAKI TERMINAL YAZAKI CRIMP SPECIFICATION |                              |
|---|------------------------------|
| TERMINAL NAME: 0.64 SYSTEM CONNECTOR, MALE TERMINAL       |                              |
| WIRE STRIP LENGTH   | INSULATION DIAMETER RANGE    |
| 3.75-3.77 mm [.148-.148 IN]                               | Ø1.10-1.70 mm [.043-.067 IN] |
| TERMINAL APPLICATION SPECIFICATION                        | 7114-4720-02                 |
| TERMINALS APPLIED   |                              |
| TE TERMINAL   | YAZAKI TERMINAL              |
| 2113125-1   | 7114-4720-02                 |

| WIRE SIZE | CRIMP HEIGHT mm [INCH]     | CRIMP HEIGHT REFERENCE SETTING |
|-----------|----------------------------|--------------------------------|
| 0.35mm2   | 0.85+/-0.05 [.033+/- .002] | 8.5                            |
| 0.30mm2   | 0.85+/-0.05 [.033+/- .002] | 8.5                            |

- 1 RECOMMENDED SPARE PARTS
- 2 GREASE BEARING SURFACES LIGHTLY
- 3. LUBRICATE DAILY PER THE APPLICATOR INSTRUCTION SHEET SUPPLIED WITH THE APPLICATOR.
- 4 APPLICATOR SPECIFIC DATA TO BE ENTERED INTO BLANK MEMORY CHIP AT ASSEMBLY. SEE BELOW FOR PART NUMBER:  
 MECHANICAL FEED WITH "SMART APPLICATOR" CONVERSION: 8-2151762-4  
 PNEUMATIC FEED WITH "SMART APPLICATOR" CONVERSION: 8-2151762-4  
 SERVO FEED WITH "FINE CRIMP HEIGHT ADJUST": 8-2151762-5  
 SERVO FEED WITH "NON-CRIMP HEIGHT ADJUST": 8-2151762-6
- 5. ADJUSTMENT OF THE STRIPPER MAY BE REQUIRED WHEN MOVING THE APPLICATOR BETWEEN BENCH AND LEADMAKER APPLICATIONS.
- 6 APPLY PART NUMBER 1-23419-5 LOCTITE TO THREADS OF ITEMS 50, 62 & 242. FOR -6 ONLY APPLY PART NUMBER 1-23419-5 LOCTITE TO THREADS OF ITEMS 37, 50 & 242.
- 7 GREASE THREADS, GROOVE AND O-RING ON ITEMS 35 & 252.
- 8 MAGNET, ITEM 166 MUST BE ORIENTED CORRECTLY IN ORDER TO PROPERLY ACTUATE THE COUNTER.
- 9 CRIMP HEIGHT REFERENCE SETTING WAS THE SETTING USED WHEN THE APPLICATOR WAS QUALIFIED AT THE FACTORY. ADJUSTMENT MAY BE NECESSARY WHEN RUNNING APPLICATOR IN THE FIELD.
- 10 SPARE FEED CAM STORAGE LOCATION REFER TO INSTRUCTION SHEET FOR ADDITIONAL INFORMATION.
- 11 TO CONVERT THE APPLICATOR TO A NON-CARRIER CUTTING STYLE, REMOVE ITEM 13 AND ATTACH TO THE LOCATION ON THE BACK SIDE OF THE HOUSING. REFER TO INSTRUCTION SHEET FOR ADDITIONAL INFORMATION.
- 12 WHEN ASSEMBLING -6 NON-CRIMP HEIGHT ADJUST APPLICATOR USE SHIM PACK 2119957-2 TO ALIGN APPLICATOR'S MAXIMUM WIRE CRIMP HEIGHT AT NORMAL TERMINATOR SHUT HEIGHT

**\*WARNING**  
 ON INSTALLATION, SET WIRE DISC, ITEM 40 TO LARGEST WIRE SIZE SETTING. USE OF SETTINGS BELOW MINIMUM REQUIRED CRIMP HEIGHT SETTING WILL CAUSE DAMAGE TO CRIMP TOOLING.

| -77 | -7 | -6 | -5 | -2 | -1 | PART NO   | DESCRIPTION                     | ITEM NO |
|-----|----|----|----|----|----|-----------|---------------------------------|---------|
| -   | -  | 1  | -  | -  | -  | 2119957-2 | APPLICATOR SHIM PACK            | 260     |
| -   | 1  | -  | 1  | 1  | 1  | 8-21084-0 | O-RING, .676 ID, .070 DIA. MAT. | 252     |
| -   | -  | -  | -  | 1  | -  | 2119640-1 | PUSH ROD, AIR FEED              | 250     |
| -   | -  | -  | -  | 1  | -  | 2079988-1 | BUSHING, LCH5-12, MISUMI        | 249     |
| -   | -  | -  | -  | 1  | -  | 2119641-1 | FEED CAM, AIR FEED              | 248     |

**ATLANTIC VERSION**  
 Shown on sheets 1 of 4 & 2 of 4  
 (Pacific version shown on sheets 3 of 4 & 4 of 4)

| SET UP GAUGE | LOC | DIST | REVISIONS |     |             |           |     |      |
|--------------|-----|------|-----------|-----|-------------|-----------|-----|------|
| 2119599-1    | A   | 66   | P         | LTN | DESCRIPTION | DATE      | DWN | APVD |
|              |     |      | A         |     | RELEASED    | 06DEC2012 | LG  | GB   |

|   |     |     |     |     |     |             |                                     |     |
|---|-----|-----|-----|-----|-----|-------------|-------------------------------------|-----|
| - | 1   | -   | 1   | 1   | 1   | 2119798-1   | DETENT PIN                          | 247 |
| - | 1   | -   | 1   | 1   | 1   | 1-22279-3   | SPRING, COMPRESSION                 | 246 |
| - | -   | 1   | -   | -   | -   | 2119758-1   | RAM, AMP STYLE, SIDE FEED, NON-ADJ. | 245 |
| - | 1   | 1   | 1   | 1   | 1   | 2119082-8   | CAM, SNAIL, INSULATION ADJUSTMENT   | 244 |
| - | 1   | 1   | 1   | 1   | 1   | 2079764-1   | WASHER, WAVE SPRING, CREST-TO-CREST | 243 |
| - | 1   | 1   | 1   | 1   | 1   | 2119083-1   | RETAINER, INSULATION DIAL           | 242 |
| - | 1   | 1   | 1   | 1   | 1   | 7-18023-7   | SCR, SKT HD CAP M3 X 4.0            | 241 |
| - | -   | 2   | 2   | -   | -   | 2168400-6   | SHCS, LOW HEAD, RoHS, M5 X 16       | 240 |
| - | -   | -   | -   | -   | 1   | 2119580-1   | MECHANICAL FEED ASSEMBLY            | 239 |
| - | -   | -   | -   | -   | -   | 2063440-1   | AIR FEED MODULE                     | 238 |
| - | -   | 1   | 1   | -   | -   | 2119740-2   | TAG, IDENTIFICATION                 | 213 |
| - | -   | 1   | 1   | -   | -   | 1901094-3   | SPACER, FEEDER                      | 198 |
| - | 1   | 1   | 1   | 1   | 1   | 993111-1    | PIN, SLOTTED SPRING 3.0 X 20.0      | 177 |
| - | 1   | 1   | 1   | 1   | 1   | 8-22280-7   | SPRING, COMPRESSION                 | 176 |
| - | 1   | 1   | 1   | 1   | 1   | 1752353-2   | GUIDE PIN, HOLDDOWN                 | 175 |
| - | 1   | 1   | 1   | 1   | 1   | 1901680-2   | GUIDE PIN, HOLDDOWN                 | 174 |
| - | -   | -   | -   | 2   | -   | 21045-3     | RING, RETAIN, EXTERN, 3/16 CRESCENT | 172 |
| - | 1   | 1   | 1   | 1   | 1   | 994969-1    | MAGNET, RARE EARTH HIGH ENERGY      | 166 |
| - | REF | REF | REF | REF | REF | 994970-2    | COUNTER, MAGNETIC                   | 164 |
| - | -   | -   | -   | 1   | -   | 240638-1    | SPRING, FEED FINGER                 | 163 |
| - | -   | -   | -   | 1   | -   | 3-23627-7   | PIN, RETAIN, GRVD, 3/16 X .854      | 137 |
| - | -   | -   | -   | 1   | -   | 2119799-1   | HOLDER, FEED FINGER, AF             | 136 |
| - | -   | REF | REF | -   | -   | SEE NOTE 4  | MEMORY CHIP, PROGRAMMED             | 135 |
| - | -   | 1   | 1   | -   | -   | 1633743-1   | SERVO FEED LATCH ASM                | 133 |
| - | 1   | 1   | 1   | 1   | 1   | 1-18028-2   | WASHER, FLAT, REG M4                | 119 |
| - | -   | REF | REF | -   | -   | 2119944-1   | FEED FINGER ASSEMBLY, SF            | 117 |
| - | 1   | 1   | 1   | 1   | 1   | 455888-7    | SPACER, CRIMPER                     | 82  |
| - | 1   | 1   | 1   | 1   | 1   | 2119956-1   | DOCUMENTATION PACKAGE               | 71  |
| - | 1   | -   | -   | 1   | 1   | 2119740-1   | TAG, IDENTIFICATION                 | 67  |
| - | 2   | 2   | 2   | 2   | 2   | 2168078-1   | SCREW, DRIVE, RH, RoHS              | 66  |
| - | 1   | -   | -   | 1   | 1   | 2119793-1   | LIMITER, ADJUSTMENT BOLT            | 63  |
| - | 3   | -   | 3   | 3   | 3   | 992763-5    | SCR, SET, SOC, CONE POINT, M3 x 4.0 | 62  |
| - | 1   | 1   | 1   | 1   | 1   | 2079383-4   | SCR, BHSC, RoHS (M4 X 8)            | 60  |
| - | -   | -   | -   | 1   | 1   | 5-18022-5   | SCR, HEX HD CAP, M4 X 6.0           | 59  |
| - | -   | -   | -   | 1   | 1   | 1338685-1   | PAWL, FEED                          | 56  |
| - | 4   | 4   | 4   | 4   | 4   | 2168400-1   | SHCS, LOW HEAD, RoHS, M4 X 12       | 54  |
| - | 1   | 1   | 1   | 1   | 1   | 1-5018030-0 | NUT, HEX, REG, RoHS, M3.5           | 52  |
| - | 1   | 1   | 1   | 1   | 1   | 1901681-1   | HOLDDOWN, TERMINAL                  | 51  |
| - | 1   | 1   | 1   | 1   | 1   | 1-1752354-8 | STANDOFF, HOLD-DOWN                 | 50  |
| - | -   | -   | -   | 1   | 2   | 18023-9     | SCR, SKT HD CAP M4 X 6.0            | 49  |
| - | -   | -   | -   | -   | 1   | 2119652-1   | FEED CAM, PRE FEED                  | 48  |
| - | -   | -   | -   | -   | 1   | 2119653-1   | FEED CAM, POST FEED                 | 47  |
| - | 1   | 1   | 1   | 1   | 1   | 2119656-9   | APPLICATOR BASIC ASSEMBLY, SF       | 46  |
| - | 1   | -   | -   | 1   | 1   | 2119370-1   | RAM, AMP STYLE, SIDE FEED           | 44  |
| - | 1   | 1   | 1   | 1   | 1   | 2079383-7   | SCR, BHSC, RoHS (M8 X 25)           | 41  |
| - | 1   | -   | -   | 1   | 1   | 2119645-1   | DISC, NUMBERED FA WIRE ADJUSTMENT   | 40  |
| - | 1   | -   | -   | 1   | 1   | 2119957-1   | APPLICATOR SHIM PACK                | 39  |
| - | 1   | 1   | 1   | 1   | 1   | 2119644-1   | RAM WASHER, PRECISION               | 38  |
| - | 1   | 1   | 1   | 1   | 1   | 2119085-1   | FA HEAD, ATLANTIC STYLE             | 37  |
| - | 1   | -   | -   | 1   | 1   | 2119092-1   | BOLT, ADJUSTMENT                    | 35  |
| - | 1   | 1   | 1   | 1   | 1   | 1752356-3   | SUPPORT, TERMINAL                   | 34  |
| - | 2   | 2   | 2   | 2   | 2   | 2079383-5   | SCR, BHSC, RoHS (M4 X 20)           | 33  |
| - | 1   | 1   | 1   | 1   | 1   | 2161328-1   | HEX HEAD, FLANGED, M5 x 8mm LONG    | 32  |
| - | 1   | 1   | 1   | 1   | 1   | 1320908-3   | SPACER, STRIP GUIDE                 | 30  |
| - | 1   | 1   | 1   | 1   | 1   | 2119959-2   | ASSEMBLY, STRIP GUIDE               | 29  |
| - | 1   | 1   | 1   | 1   | 1   | 1-455888-0  | SPACER, CRIMPER                     | 28  |
| - | 1   | 1   | 1   | 1   | 1   | 1320928-6   | STRIP GUIDE                         | 24  |
| - | 1   | 1   | 1   | 1   | 1   | 2168083-2   | SCR, SKT HD CAP, RoHS, M4 X 8.0     | 21  |
| - | 1   | 1   | 1   | 1   | 1   | 1-18028-2   | WASHER, FLAT, REG M4                | 20  |
| - | 1   | 1   | 1   | 1   | 1   | 2119533-1   | STRIPPER, SIDE FEED                 | 19  |
| - | 1   | 1   | 1   | 1   | 1   | 2119806-1   | INSERT, SHEAR                       | 13  |
| - | 1   | 1   | 1   | 1   | 1   | 3-22280-3   | SPRING, COMPRESSION                 | 12  |
| - | 1   | 1   | 1   | 1   | 1   | 1-356885-4  | STOP, SHEAR                         | 11  |
| - | 1   | 1   | 1   | 1   | 1   | 2119805-1   | SHEAR HOLDER, FRONT                 | 10  |
| - | 1   | 1   | 1   | 1   | 1   | 462006-6    | FLOATING SHEAR, FRONT               | 9   |
| - | 1   | 1   | 1   | 1   | 1   | 1803057-3   | ANVIL, COMBINATION                  | 8   |
| - | -   | -   | -   | -   | -   | -           | -                                   | 7   |
| - | -   | -   | -   | -   | -   | -           | -                                   | 6   |
| - | 1   | 1   | 1   | 1   | 1   | 2119757-8   | DEPRESSOR, SHEAR                    | 5   |
| - | 1   | 1   | 1   | 1   | 1   | 4-238011-0  | BLOCK, CRIMPER SPACER               | 4   |
| - | 1   | 1   | 1   | 1   | 1   | 7-2119784-5 | CRIMPER, INSULATION O PREMIUM       | 3   |
| - | 1   | 1   | 1   | 1   | 1   | 455888-4    | SPACER, CRIMPER                     | 2   |
| - | 1   | 1   | 1   | 1   | 1   | 9-1633305-9 | CRIMPER, WIRE PREMIUM               | 1   |

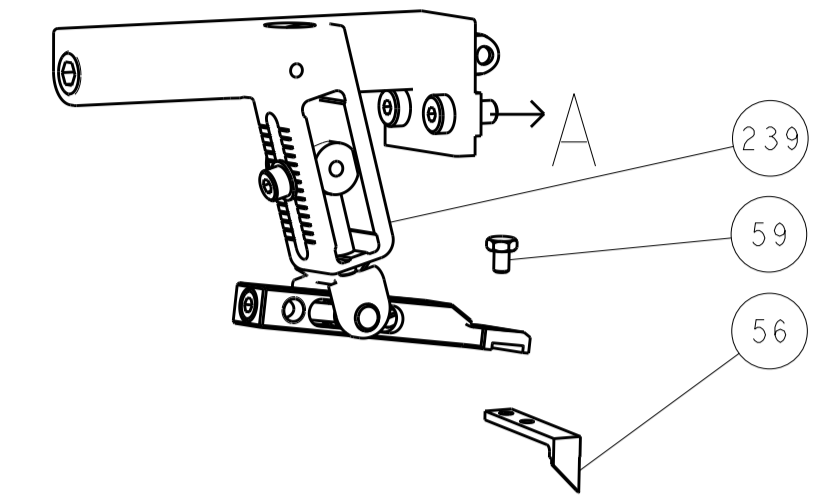
| DIMENSIONS: |           | TOLERANCES UNLESS OTHERWISE SPECIFIED: |            | MATERIAL:   |              | FINISH: |        | WEIGHT: |  | SCALE:                                 |                              |
|-------------|-----------|--|------------|-------------|--------------|---------|--------|---------|--|--|------------------------------|
| mm          | 0 PLC ±.1 | 1 PLC ±.01                             | 2 PLC ±.02 | 3 PLC ±.005 | 4 PLC ±.0005 | ANGLES  | ±.0005 |         |  | Customer Accessible Production Drawing | SCALE 1:1 SHEET 1 OF 4 REV A |

| LOC | DIST | REV | DATE | BY | APPV |
|-----|------|-----|------|----|------|
| A   | 66   |     |      |    |      |

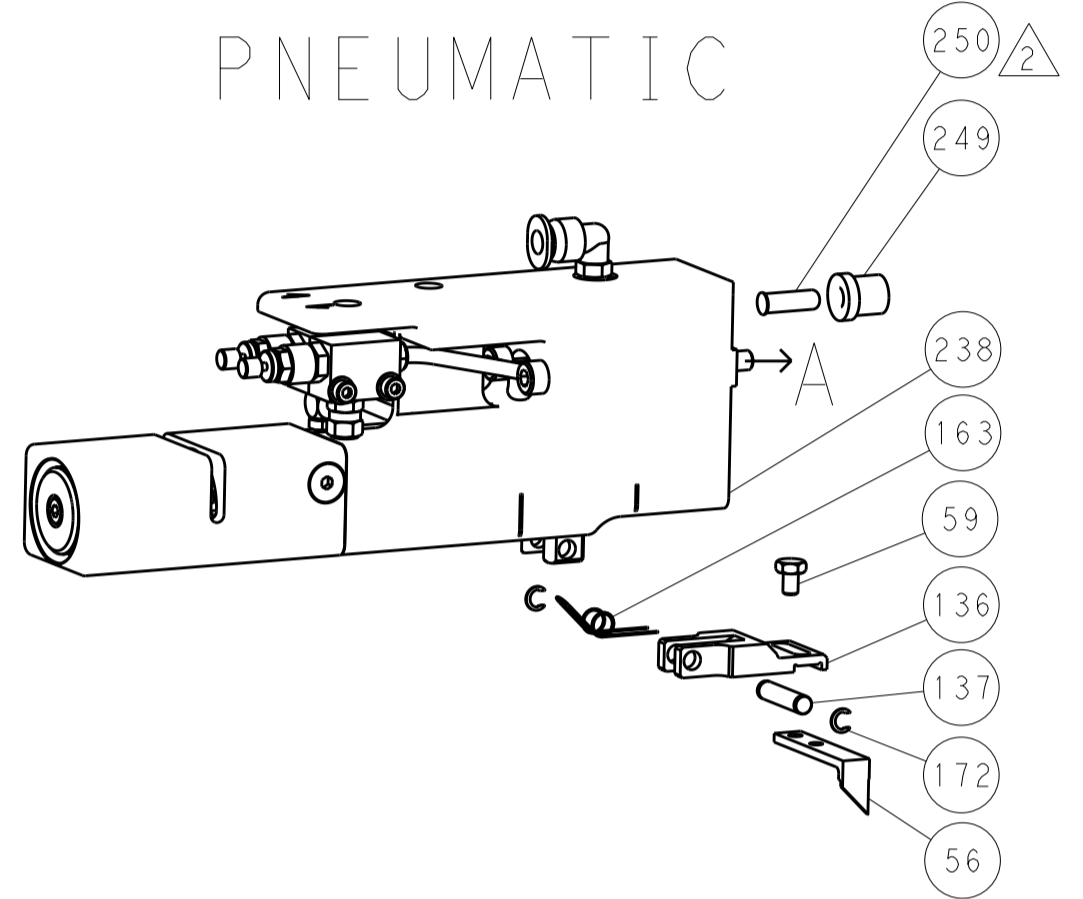
  

| REVISIONS |      |    |      |
|-----------|------|----|------|
| REV       | DATE | BY | APPV |
| -         | -    | -  | -    |
| -         | -    | -  | -    |

### FEED TYPE MECHANICAL



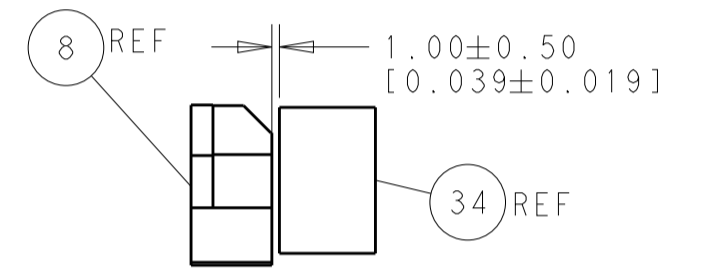
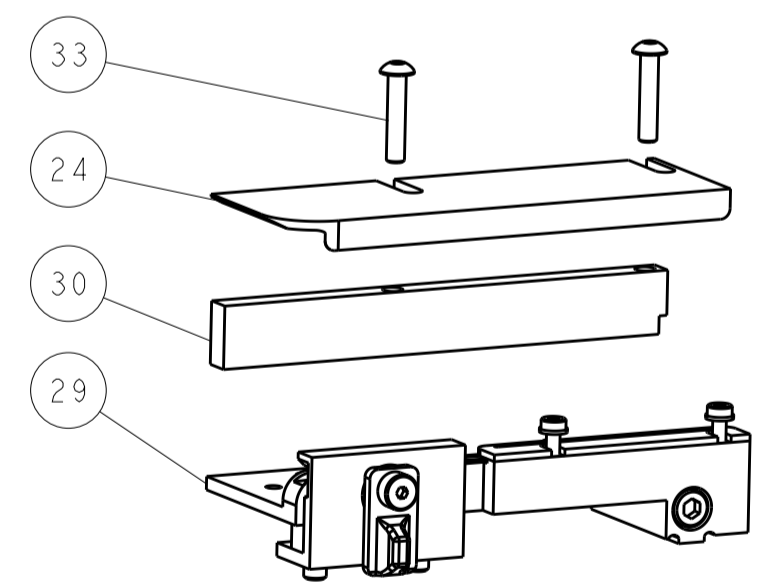
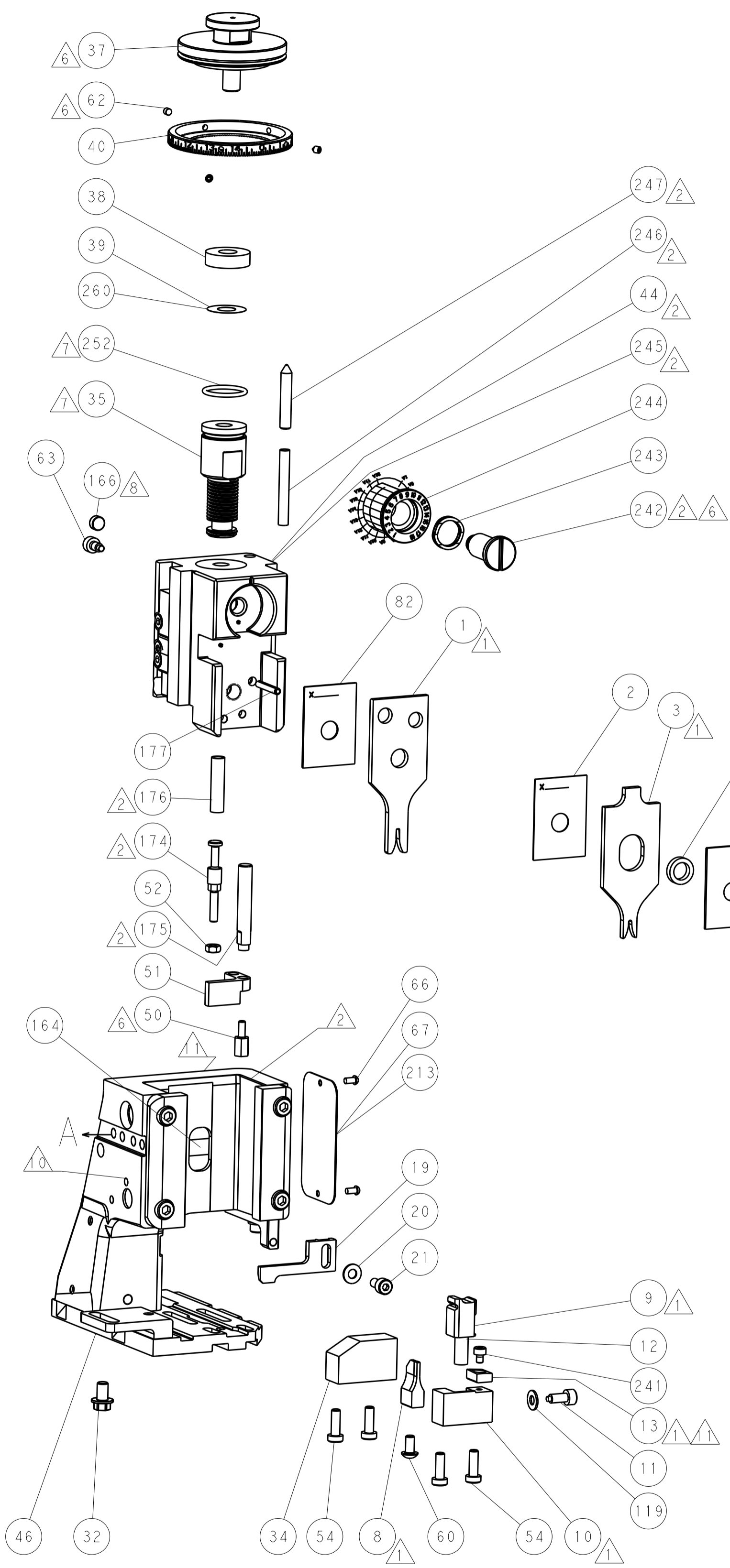
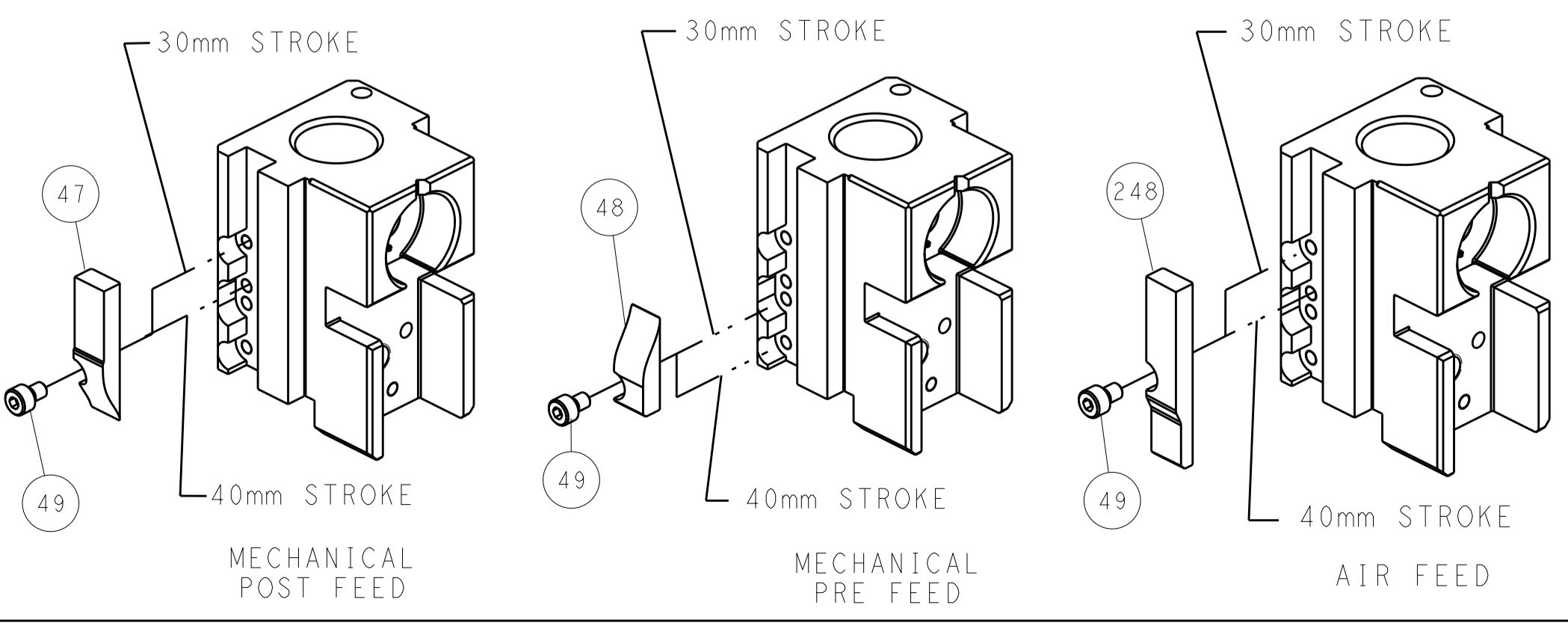
### PNEUMATIC



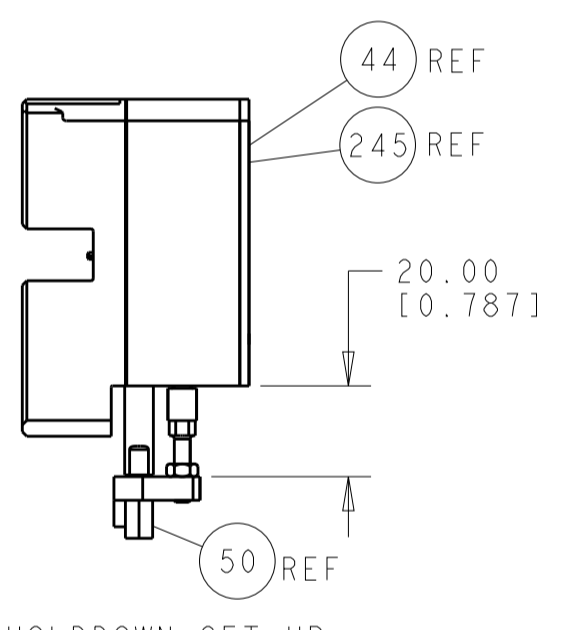
### SERVO LATCH PLATE



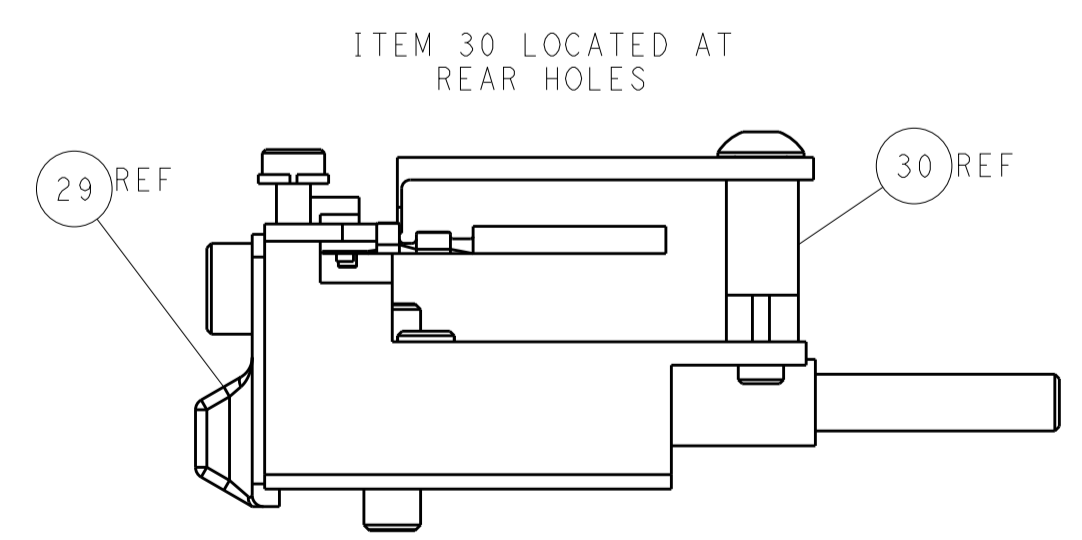
### CAM POSITIONS



TERMINAL SUPPORT LOCATION



HOLDDOWN SET-UP



FEED TRACK POSITION GUIDE BY INSULATION BARREL

**ATLANTIC VERSION**  
 Shown on sheets 1 of 4 & 2 of 4  
 (Pacific version shown on sheets 3 of 4 & 4 of 4)

|  |            |  |             |                                  |               |                            |                           |
|--|------------|--|-------------|----------------------------------|---------------|----------------------------|---------------------------|
| DIMENSIONS:                            |            | TOLERANCES UNLESS OTHERWISE SPECIFIED: |             | DWG: R.O. WILSON 02OCT2012       |               | TE Connectivity            |                           |
| mm                                     | 0 PLC ±0.1 | 1 PLC ±0.1                             | 2 PLC ±0.02 | 3 PLC ±0.005                     | 4 PLC ±0.0005 | APVD: T.L. ELBIN 03OCT2012 | Harrisburg, PA 17105-3608 |
| MATERIAL:                              |            | FINISH:                                |             | NAME: Ocean Side Feed Applicator |               | RESTRICTED TO:             |                           |
| Customer Accessible Production Drawing |            | SCALE: 1:1                             |             | SHEET 2 OF 4                     |               | REV A                      |                           |

| PACIFIC VERSION TERMINATOR INTERFACE ADAPTER | PART NUMBER | REVISION | DESCRIPTION              | FEED TYPE         | APPLICATOR STYLE CONVERSION CHART |                       |           |             |           |           |                        |
|--|-------------|----------|--------------------------|-------------------|-----------------------------------|-----------------------|-----------|-------------|-----------|-----------|------------------------|
|  |             |          |                          |                   | CONVERT TO                        | PART NUMBERS REQUIRED |           |             |           |           |                        |
|  | 2-2151762-1 | A        | FINE CRIMP HEIGHT ADJUST | MECHANICAL        | PNEUMATIC FEED                    | 2119950-1             | 1338685-1 | 5-18022-5   | 2119641-2 | 2119799-1 | 2063440-1              |
|  |             |          |                          |                   | SERVO LATCH PLATE                 | 2119951-1             | -         | 8-2151762-5 | 1901094-3 | -         | 2168400-6 (QUANTITY 2) |
|  |             |          |                          |                   | SMART APPLICATOR                  | 2161326-1             | -         | 8-2151762-4 | -         | -         | -                      |
|  | 2-2151762-2 | A        | FINE CRIMP HEIGHT ADJUST | PNEUMATIC         | MECHANICAL FEED                   | 2119949-1             | 1338685-1 | 5-18022-5   | 2119653-2 | -         | -                      |
|  |             |          |                          |                   | SERVO LATCH PLATE                 | 2119951-1             | -         | 8-2151762-5 | 1901094-3 | -         | 2168400-6 (QUANTITY 2) |
|  |             |          |                          |                   | SMART APPLICATOR                  | 2161326-1             | -         | 8-2151762-4 | -         | -         | -                      |
|  | 2-2151762-5 | A        | FINE CRIMP HEIGHT ADJUST | SERVO LATCH PLATE | MECHANICAL FEED                   | 2119949-1             | 1338685-1 | 5-18022-5   | 2119653-2 | -         | -                      |
|  |             |          |                          |                   | PNEUMATIC FEED                    | 2119950-1             | 1338685-1 | 5-18022-5   | 2119641-2 | 2119799-1 | 2063440-1              |
|  | 2-2151762-7 | A        | FINE CRIMP HEIGHT ADJUST | NONE              | -                                 | -                     | -         | -           | -         | -         | -                      |
|  | 7-2151762-7 | A        | CRIMP TOOLING KIT        | -                 | -                                 | -                     | -         | -           | -         | -         | -                      |

| APPLICATOR DATA                      |                |      |
|--------------------------------------|----------------|------|
| CRIMP                                | SIZE           | TYPE |
| WIRE                                 | 1.35 mm [.053] | F    |
| INSUL                                | 1.65 mm [.065] | O    |
| APPLICATOR INSTRUCTIONS<br>408-10389 |                |      |

|   |   |
|---|---|
| TERMINAL DATA: YAZAKI TERMINAL YAZAKI CRIMP SPECIFICATION |   |
| TERMINAL NAME: 0.64 SYSTEM CONNECTOR, MALE TERMINAL       |   |
| WIRE STRIP LENGTH<br>3.75-3.77 mm [1.48-.148 IN]          | INSULATION DIAMETER RANGE<br>Ø1.10-1.70 mm [.043-.067 IN] |
| TERMINAL APPLICATION SPECIFICATION<br>7114-4720-02        |   |
| TERMINALS APPLIED   |   |
| TE TERMINAL   | YAZAKI TERMINAL   |
| 2113125-1   | 7114-4720-02  |

| WIRE SIZE | CRIMP HEIGHT mm [INCH]        | CRIMP HEIGHT REFERENCE SETTING |
|-----------|-------------------------------|--------------------------------|
| 0.35mm2   | 0.85 +/- 0.05 [.033 +/- .002] | 8.5                            |
| 0.30mm2   | 0.85 +/- 0.05 [.033 +/- .002] | 8.5                            |

- RECOMMENDED SPARE PARTS
- GREASE BEARING SURFACES LIGHTLY
- LUBRICATE DAILY PER THE APPLICATOR INSTRUCTION SHEET SUPPLIED WITH THE APPLICATOR.
- APPLICATOR SPECIFIC DATA TO BE ENTERED INTO BLANK MEMORY CHIP AT ASSEMBLY. SEE BELOW FOR PART NUMBER:  
 MECHANICAL FEED WITH "SMART APPLICATOR" CONVERSION: 8-2151762-4  
 PNEUMATIC FEED WITH "SMART APPLICATOR" CONVERSION: 8-2151762-4  
 SERVO FEED WITH "FINE CRIMP HEIGHT ADJUST": 8-2151762-5
- ADJUSTMENT OF THE STRIPPER MAY BE REQUIRED WHEN MOVING THE APPLICATOR BETWEEN BENCH AND LEADMAKER APPLICATIONS.
- APPLY PART NUMBER 1-23419-5 LOCTITE TO THREADS OF ITEMS 50, 62 & 242.
- GREASE THREADS, GROOVE AND O-RING ON ITEMS 139 & 152.
- MAGNET MUST BE ORIENTED CORRECTLY IN ORDER TO PROPERLY ACTUATE THE COUNTER.
- CRIMP HEIGHT REFERENCE SETTING WAS THE SETTING USED WHEN THE APPLICATOR WAS QUALIFIED AT THE FACTORY. ADJUSTMENT MAY BE NECESSARY WHEN RUNNING APPLICATOR IN THE FIELD.
- SPARE FEED CAM STORAGE LOCATION REFER TO INSTRUCTION SHEET FOR ADDITIONAL INFORMATION.
- TO CONVERT THE APPLICATOR TO A NON-CARRIER CUTTING STYLE, REMOVE ITEM 13 AND ATTACH TO THE LOCATION ON BACK SIDE OF THE HOUSING. REFER TO INSTRUCTION SHEET FOR ADDITIONAL INFORMATION.

**\*WARNING**  
 ON INSTALLATION, SET WIRE DISC, ITEM 40 TO LARGEST WIRE SIZE SETTING. USE OF SETTINGS BELOW MINIMUM REQUIRED CRIMP HEIGHT SETTING WILL CAUSE DAMAGE TO CRIMP TOOLING.

| -77 | -27 | -25 | -22 | -21 | PART NO   | DESCRIPTION                         | ITEM NO |
|-----|-----|-----|-----|-----|-----------|-------------------------------------|---------|
| -   | 1   | 1   | 1   | 1   | 2119782-1 | FINE ADJUST HEAD ASM, PACIFIC STYLE | 251     |
| -   | -   | -   | 1   | -   | 2119640-1 | PUSH ROD, AIR FEED                  | 250     |
| -   | -   | -   | 1   | -   | 2079988-1 | BUSHING, LCH5-12, MISUMI            | 249     |

**PACIFIC VERSION**  
 Shown on sheets 3 of 4 & 4 of 4  
 (Atlantic version shown on sheets 1 of 4 & 2 of 4)

| SET UP GAUGE | LOC | DIST | REVISIONS |     |             |      |     |      |
|--------------|-----|------|-----------|-----|-------------|------|-----|------|
| 2119599-1    | A   | 66   | P         | LTN | DESCRIPTION | DATE | OWN | APVD |
|              |     |      | -         | -   | SEE SHEET 1 | -    | -   | -    |

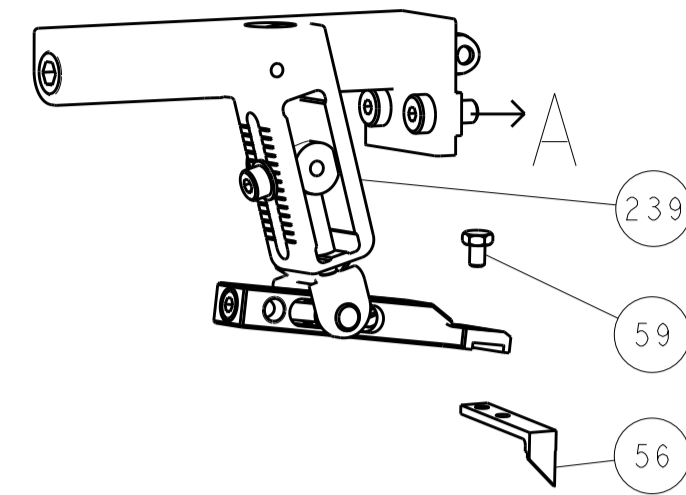
|   |     |     |     |     |             |                                     |     |
|---|-----|-----|-----|-----|-------------|-------------------------------------|-----|
| - | 1   | 1   | 1   | 1   | 1-22279-3   | SPRING, COMPRESSION                 | 246 |
| - | 1   | 1   | 1   | 1   | 2119082-8   | CAM, SNAIL, INSULATION ADJUSTMENT   | 244 |
| - | 1   | 1   | 1   | 1   | 2079764-1   | WASHER, WAVE SPRING, CREST-TO-CREST | 243 |
| - | 1   | 1   | 1   | 1   | 2119083-1   | RETAINER, INSULATION DIAL           | 242 |
| - | 1   | 1   | 1   | 1   | 7-18023-7   | SCR, SKT HD CAP M3 X 4.0            | 241 |
| - | -   | 2   | -   | -   | 2168400-6   | SHCS, LOW HEAD, RoHS, M5 X 16       | 240 |
| - | -   | -   | -   | 1   | 2119580-1   | MECHANICAL FEED ASSEMBLY            | 239 |
| - | -   | -   | 1   | -   | 2063440-1   | AIR FEED MODULE                     | 238 |
| - | -   | 1   | -   | -   | 2119740-2   | TAG, IDENTIFICATION                 | 213 |
| - | -   | 1   | -   | -   | 1901094-3   | SPACER, FEEDER                      | 198 |
| - | 1   | 1   | 1   | 1   | 993111-1    | PIN, SLOTTED SPRING 3.0 X 20.0      | 177 |
| - | 1   | 1   | 1   | 1   | 8-22280-7   | SPRING, COMPRESSION                 | 176 |
| - | 1   | 1   | 1   | 1   | 1752353-2   | GUIDE PIN, HOLDDOWN                 | 175 |
| - | 1   | 1   | 1   | 1   | 1901680-2   | GUIDE PIN, HOLDDOWN                 | 174 |
| - | -   | -   | 2   | -   | 21045-3     | RING, RETAIN, EXTERN, 3/16 CRESCENT | 172 |
| - | 1   | 1   | 1   | 1   | 994969-1    | MAGNET, RARE EARTH HIGH ENERGY      | 166 |
| - | REF | REF | REF | REF | 994970-2    | COUNTER, MAGNETIC                   | 164 |
| - | -   | -   | 1   | -   | 240638-1    | SPRING, FEED FINGER                 | 163 |
| - | 1   | 1   | 1   | 1   | 8-21084-1   | O-RING, .801 ID, .070 DIA. MAT.     | 152 |
| - | -   | -   | 1   | -   | 2119641-2   | FEED CAM, AIR FEED                  | 151 |
| - | 1   | 1   | 1   | 1   | 2119798-2   | DETENT PIN                          | 145 |
| - | 1   | 1   | 1   | 1   | 2079383-8   | SCR, BHSC, RoHS (M4 X 16)           | 144 |
| - | 4   | 4   | 4   | 4   | 2168400-5   | SHCS, LOW HEAD, RoHS, M4 X 20       | 143 |
| - | -   | -   | -   | 1   | 2119653-2   | FEED CAM, POST FEED                 | 142 |
| - | 1   | 1   | 1   | 1   | 1-2119656-0 | APPLICATOR BASIC ASSEMBLY, SF       | 141 |
| - | 1   | 1   | 1   | 1   | 2119650-1   | RAM, ASIAN STYLE, SIDE FEED         | 140 |
| - | 1   | 1   | 1   | 1   | 2119092-2   | BOLT, ADJUSTMENT                    | 139 |
| - | -   | -   | 1   | -   | 3-23627-7   | PIN, RETAIN, GRVD, 3/16 X .854      | 137 |
| - | -   | -   | 1   | -   | 2119799-1   | HOLDER, FEED FINGER, AF             | 136 |
| - | -   | REF | -   | -   | SEE NOTE 4  | MEMORY CHIP, PROGRAMMED             | 135 |
| - | -   | 1   | -   | -   | 1633743-1   | SERVO FEED LATCH ASM                | 133 |
| - | 1   | 1   | 1   | 1   | 1-18028-2   | WASHER, FLAT, REG M4                | 119 |
| - | -   | REF | -   | -   | 2119944-1   | FEED FINGER ASSEMBLY, SF            | 117 |
| - | 1   | 1   | 1   | 1   | 455888-7    | SPACER, CRIMPER                     | 82  |
| - | 1   | 1   | 1   | 1   | 2119956-1   | DOCUMENTATION PACKAGE               | 71  |
| - | 1   | -   | 1   | 1   | 2119740-1   | TAG, IDENTIFICATION                 | 67  |
| - | 2   | 2   | 2   | 2   | 2168078-1   | SCREW, DRIVE, RH, RoHS              | 66  |
| - | 1   | 1   | 1   | 1   | 2119793-1   | LIMITER, ADJUSTMENT BOLT            | 63  |
| - | 3   | 3   | 3   | 3   | 992763-5    | SCR, SET, SOC, CONE POINT, M3 X 4.0 | 62  |
| - | -   | -   | 1   | 1   | 5-18022-5   | SCR, HEX HD CAP, M4 X 6.0           | 59  |
| - | -   | -   | 1   | 1   | 1338685-1   | PAWL, FEED                          | 56  |
| - | 1   | 1   | 1   | 1   | 1-5018030-0 | NUT, HEX, REG, RoHS, M3.5           | 52  |
| - | 1   | 1   | 1   | 1   | 1901681-1   | HOLDDOWN, TERMINAL                  | 51  |
| - | 1   | 1   | 1   | 1   | 1-1752354-8 | STANDOFF, HOLD-DOWN                 | 50  |
| - | -   | -   | 1   | 2   | 18023-9     | SCR, SKT HD CAP M4 X 6.0            | 49  |
| - | -   | -   | -   | 1   | 2119652-1   | FEED CAM, PRE FEED                  | 48  |
| - | 1   | 1   | 1   | 1   | 2079383-7   | SCR, BHSC, RoHS (M8 X 25)           | 41  |
| - | 1   | 1   | 1   | 1   | 2119645-1   | DISC, NUMBERED FA WIRE ADJUSTMENT   | 40  |
| - | 1   | 1   | 1   | 1   | 2119957-1   | APPLICATOR SHIM PACK                | 39  |
| - | 1   | 1   | 1   | 1   | 2119644-1   | RAM WASHER, PRECISION               | 38  |
| - | 1   | 1   | 1   | 1   | 1752356-3   | SUPPORT, TERMINAL                   | 34  |
| - | 2   | 2   | 2   | 2   | 2079383-5   | SCR, BHSC, RoHS (M4 X 20)           | 33  |
| - | 1   | 1   | 1   | 1   | 2161328-1   | HEX HEAD, FLANGED, M5 X 8mm LONG    | 32  |
| - | 1   | 1   | 1   | 1   | 1320908-3   | SPACER, STRIP GUIDE                 | 30  |
| - | 1   | 1   | 1   | 1   | 2119959-2   | ASSEMBLY, STRIP GUIDE               | 29  |
| - | 1   | 1   | 1   | 1   | 1-455888-0  | SPACER, CRIMPER                     | 28  |
| - | 1   | 1   | 1   | 1   | 1320928-6   | STRIP GUIDE                         | 24  |
| - | 1   | 1   | 1   | 1   | 2168083-2   | SCR, SKT HD CAP, RoHS, M4 X 8.0     | 21  |
| - | 1   | 1   | 1   | 1   | 1-18028-2   | WASHER, FLAT, REG M4                | 20  |
| - | 1   | 1   | 1   | 1   | 2119533-1   | STRIPPER, SIDE FEED                 | 19  |
| - | 1   | 1   | 1   | 1   | 2119806-1   | INSERT, SHEAR                       | 13  |
| - | 1   | 1   | 1   | 1   | 3-22280-3   | SPRING, COMPRESSION                 | 12  |
| - | 1   | 1   | 1   | 1   | 1-356885-4  | STOP, SHEAR                         | 11  |
| - | 1   | 1   | 1   | 1   | 2119805-1   | SHEAR HOLDER, FRONT                 | 10  |
| - | 1   | 1   | 1   | 1   | 462006-6    | FLOATING SHEAR, FRONT               | 9   |
| - | 1   | 1   | 1   | 1   | 1803057-3   | ANVIL, COMBINATION                  | 8   |
| - | -   | -   | -   | -   | -           | -                                   | 7   |
| - | -   | -   | -   | -   | -           | -                                   | 6   |
| - | 1   | 1   | 1   | 1   | 2119757-8   | DEPRESSOR, SHEAR                    | 5   |
| - | 1   | 1   | 1   | 1   | 4-238011-0  | BLOCK, CRIMPER SPACER               | 4   |
| - | 1   | 1   | 1   | 1   | 7-2119784-5 | CRIMPER, INSULATION O PREMIUM       | 3   |
| - | 1   | 1   | 1   | 1   | 455888-4    | SPACER, CRIMPER                     | 2   |
| - | 1   | 1   | 1   | 1   | 9-1633305-9 | CRIMPER, WIRE PREMIUM               | 1   |

|                |  |  |  |  |                            |                               |                                  |
|----------------|--|--|--|--|----------------------------|-------------------------------|----------------------------------|
| DIMENSIONS: mm |  | TOLERANCES UNLESS OTHERWISE SPECIFIED: |  | OWN: R.O. WILSON 02OCT2012             | CHK: K.J. STAKEM 03OCT2012 | APVD: T.L. ELBIN 02OCT2012    | NAME: Ocean Side Feed Applicator |
| 0 PLC ±.1      |  | 1 PLC ±0.1                             |  | PRODUCT SPEC                           |                            | SIZE: A1                      |                                  |
| 2 PLC ±0.02    |  | 3 PLC ±0.005                           |  | APPLICATION SPEC                       |                            | CAGE CODE: 00779              |                                  |
| 4 PLC ±0.0005  |  | ANGLES ±.1                             |  | WEIGHT                                 |                            | DRAWING NO: C=2151762         |                                  |
| MATERIAL       |  | FINISH                                 |  | Customer Accessible Production Drawing |                            | SCALE: 1:1 SHEET 3 OF 4 REV A |                                  |

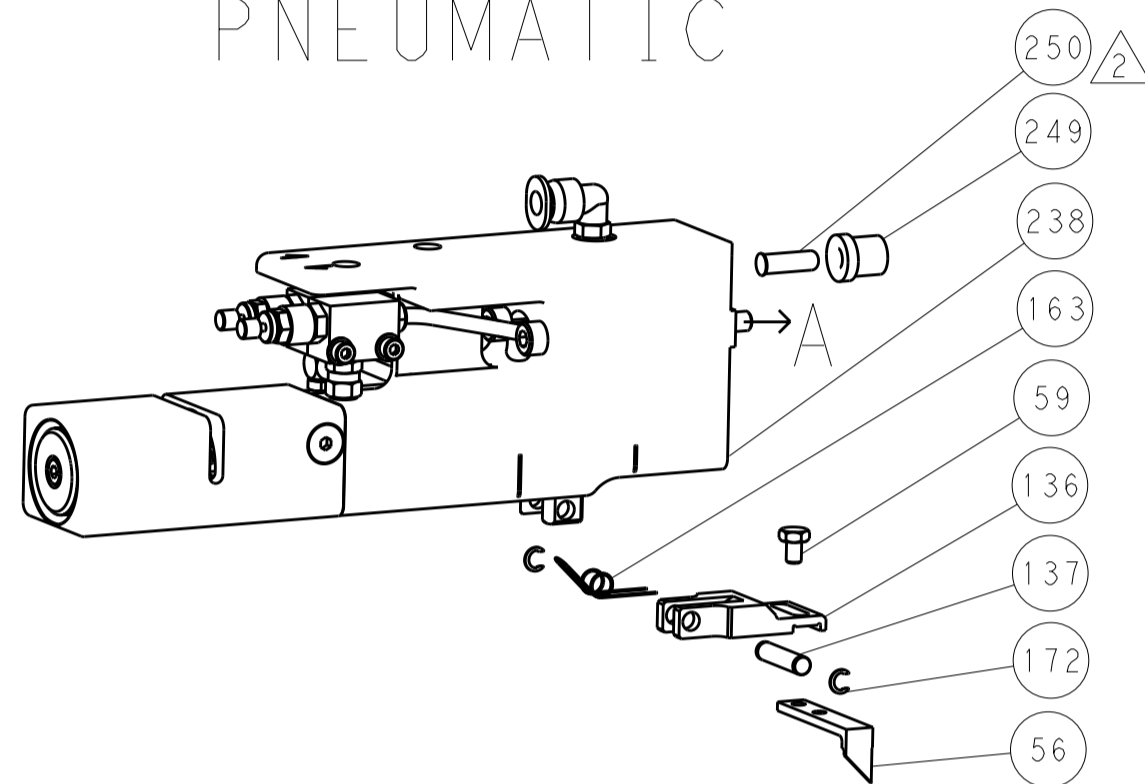
| LOC |    | DIST |     | REVISIONS   |      |     |      |
|-----|----|------|-----|-------------|------|-----|------|
| A   | 66 | P    | LTM | DESCRIPTION | DATE | DWN | APVD |
|     |    | -    |     | SEE SHEET 1 |      |     |      |

DIMENSIONING AND TOLERANCING PER ASME Y14.5M-2003

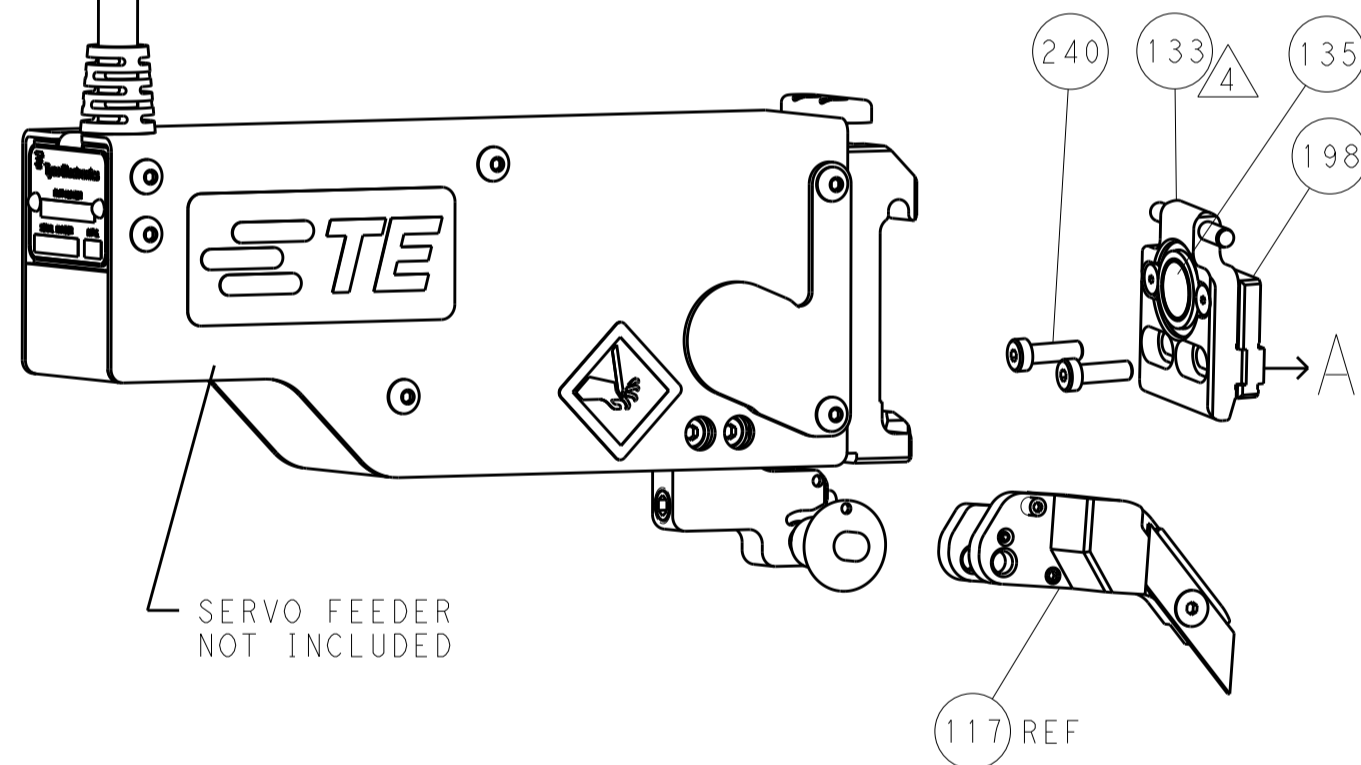
# FEED TYPE MECHANICAL



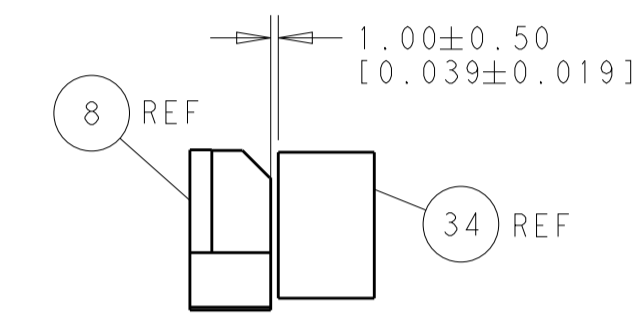
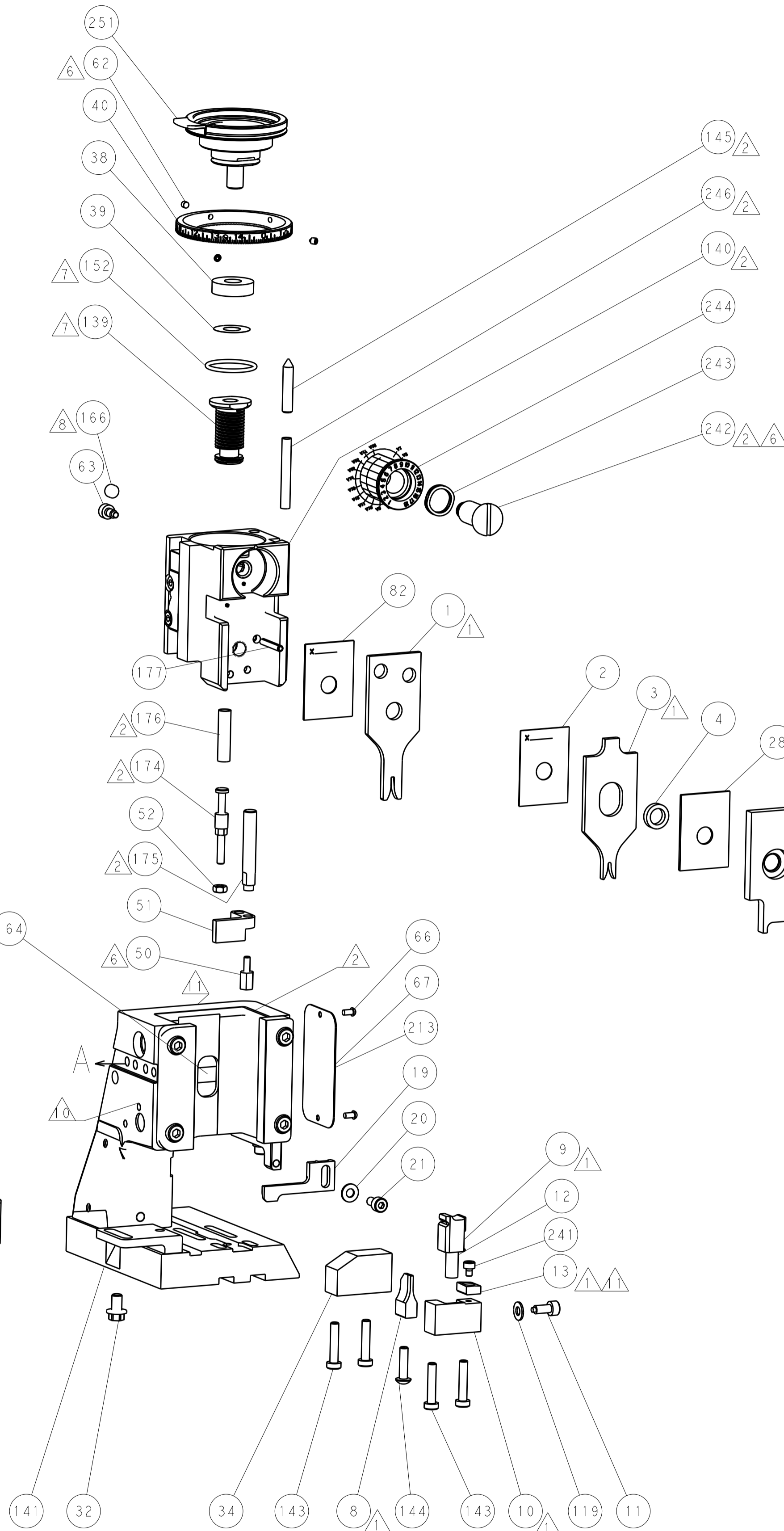
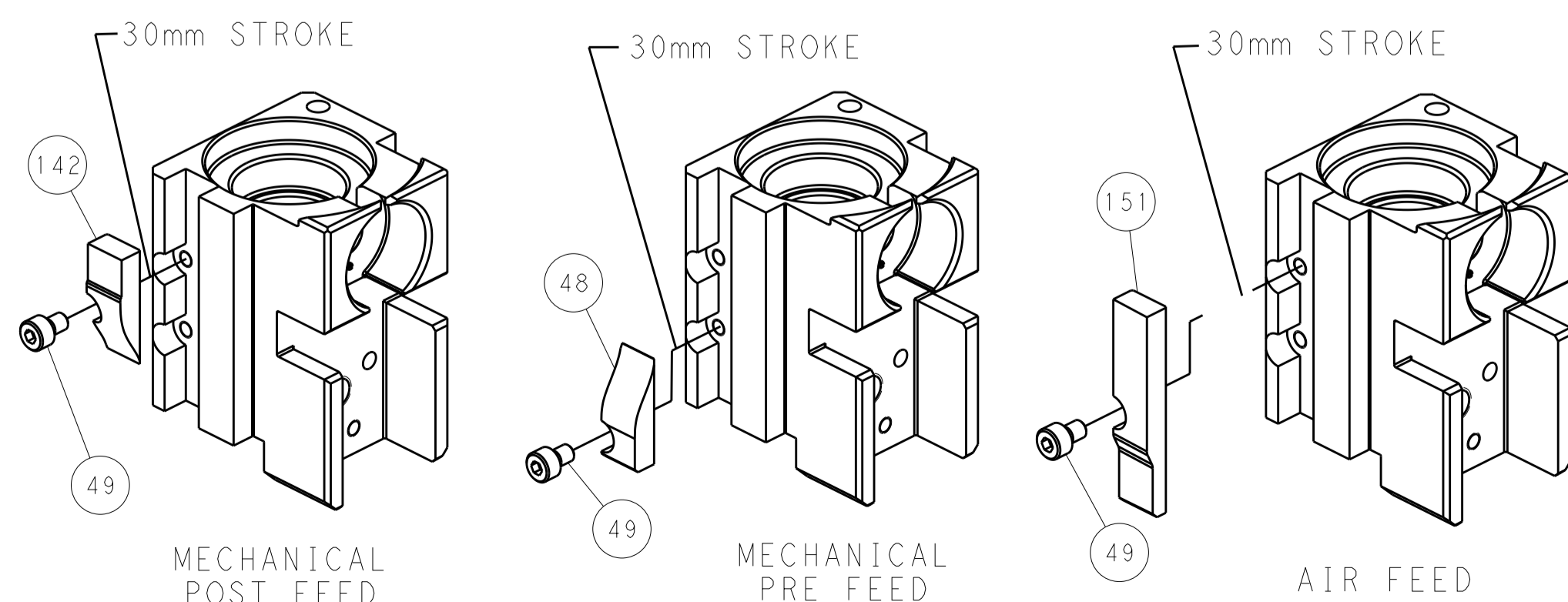
# PNEUMATIC



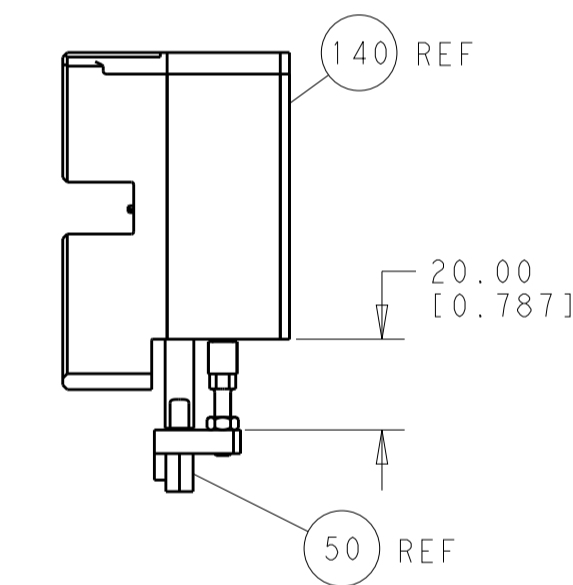
# SERVO LATCH PLATE



# CAM POSITIONS

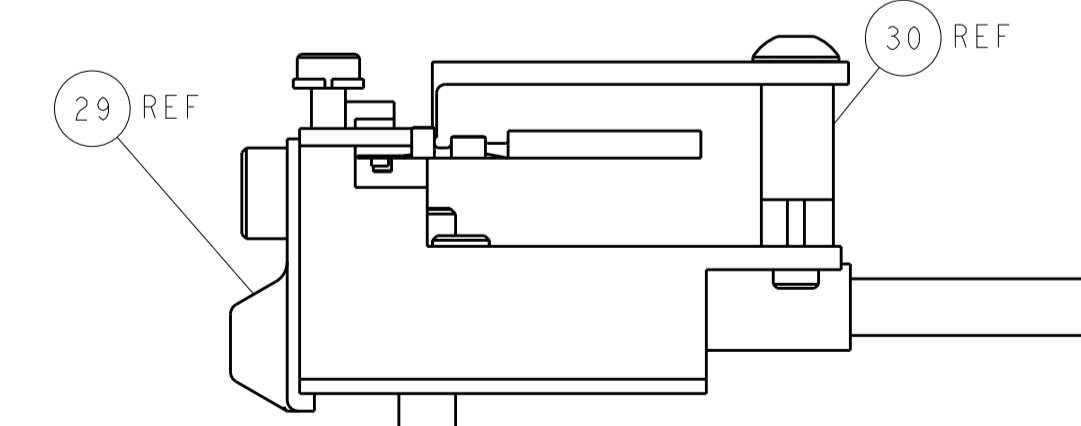


TERMINAL SUPPORT LOCATION



HOLDDOWN SET-UP

ITEM 30 LOCATED AT REAR HOLES



FEED TRACK POSITION GUIDE BY INSULATION BARREL

**PACIFIC VERSION**  
 Shown on sheets 3 of 4 & 4 of 4  
 (Atlantic version shown on sheets 1 of 4 & 2 of 4)

|                       |  |   |  |  |  |   |  |
|-----------------------|--|---|--|--|--|---|--|
| DIMENSIONS:<br>mm<br> |  | TOLERANCES UNLESS OTHERWISE SPECIFIED:<br>0 PLC ±.1<br>1 PLC ±0.1<br>2 PLC ±0.02<br>3 PLC ±0.005<br>4 PLC ±0.0005<br>ANGLES ±.1 |  | DWN R.O. WILSON 02OCT2012<br>CHK K.J. STAKEM 03OCT2012<br>APVD T.L. ELBIN DOCT2012<br>NAME<br>PRODUCT SPEC<br>APPLICATION SPEC<br>WEIGHT<br>SCALE 1:1<br>SHEET 4 OF 4<br>REV A |  | STE TE Connectivity<br>Harrisburg, PA 17105-3608<br>Ocean Side Feed Applicator<br>©=2151762<br>Customer Accessible Production Drawing |  |
|-----------------------|--|---|--|--|--|---|--|