

THIS DRAWING IS UNPUBLISHED. VERTRAULICHE UNVERÖFFENTLICHTE ZEICHNUNG. RELEASED FOR PUBLICATION FREI FÜR VERÖFFENTLICHUNG. 2014. DATED WITH PASSEND ZU.

© COPYRIGHT 2014 Tyco Electronics AMP GmbH. ALL RIGHTS RESERVED. ALLE RECHTE VORBEHALTEN.

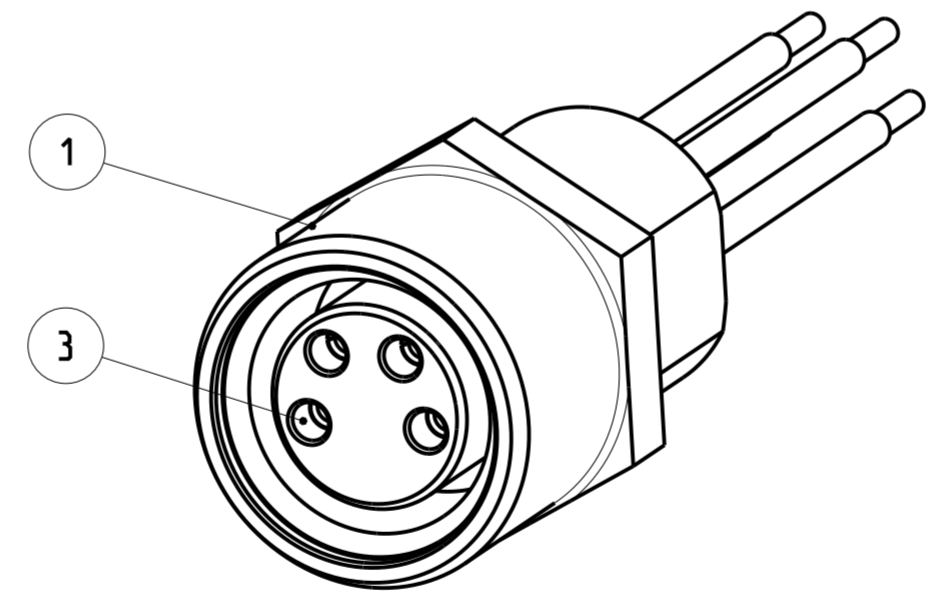
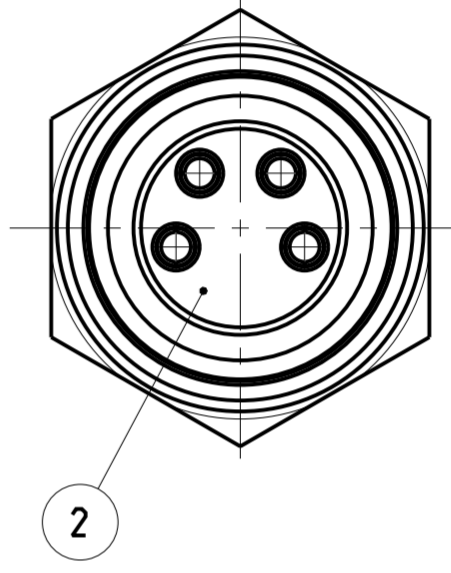
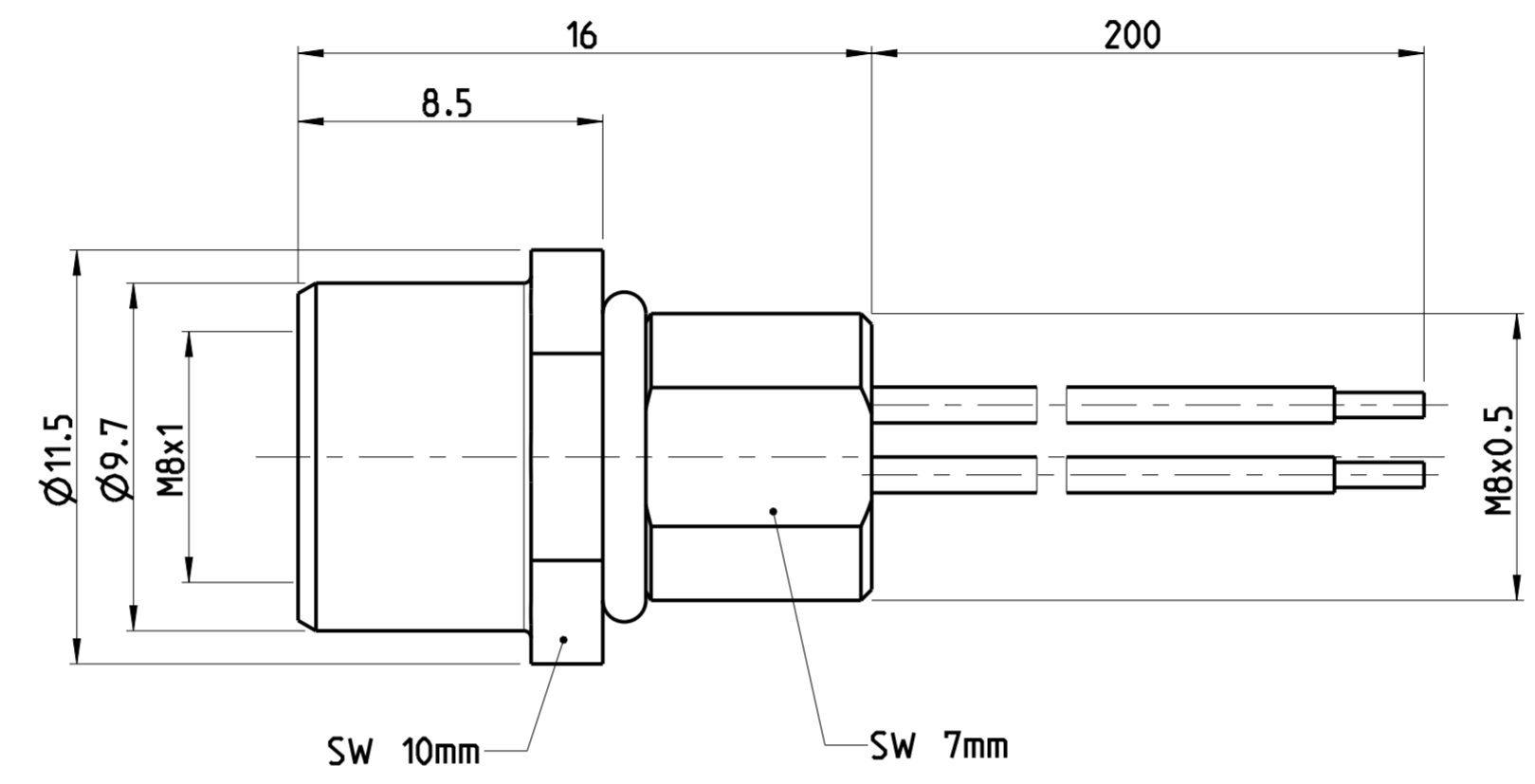
PROJECT NO.: PRJ-14-00000805

REVISIONS		DATE	DWN	APVD
NO.	DESCRIPTION			
A1	NEW DRAWING	08MAY2014	YR	CS

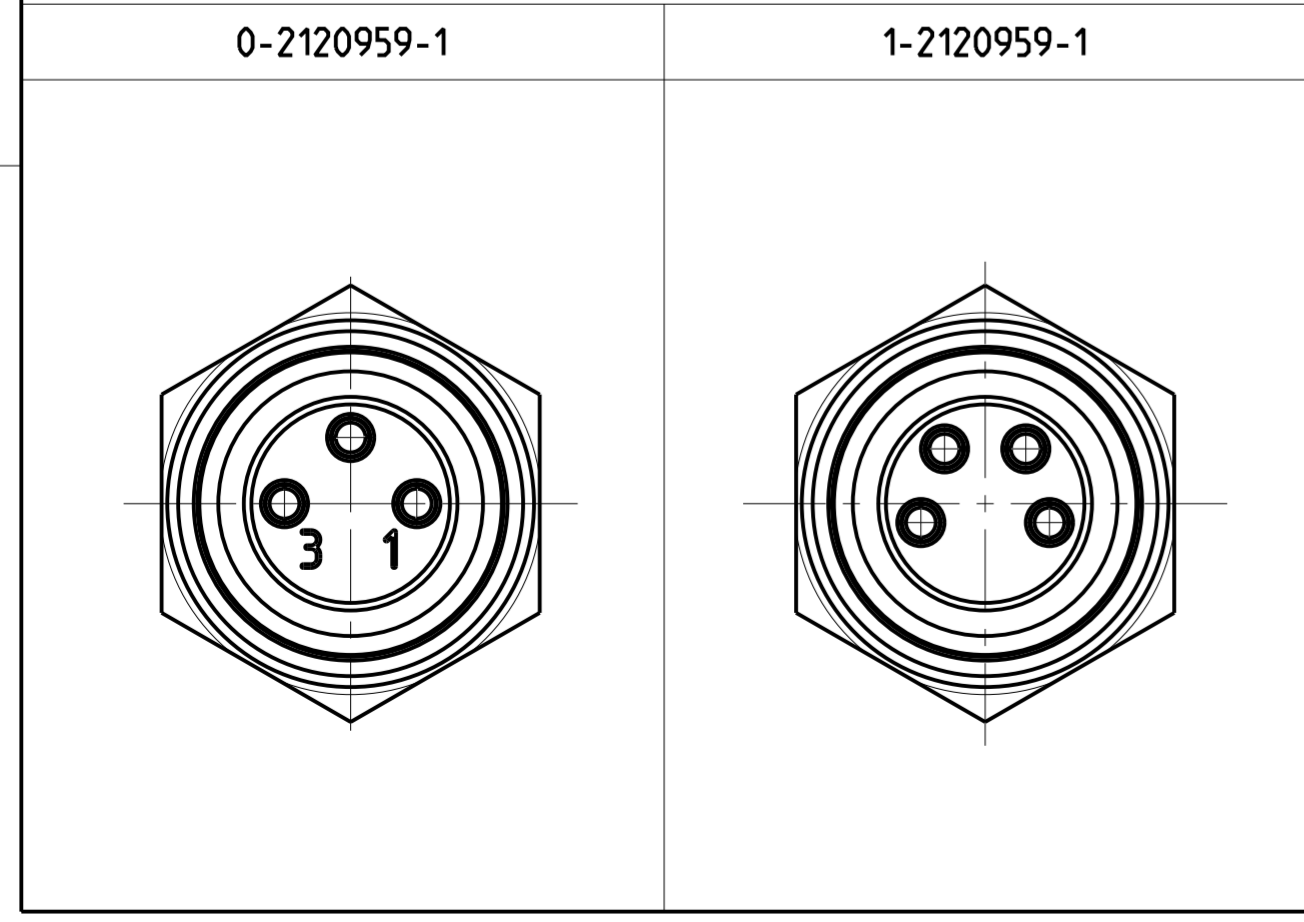
1 MATERIAL: ITEM NO. 1: HOUSING - CUZn (BRASS NICKEL PLATED)
 ITEM NO. 2: CONTACT BODY - PA
 ITEM NO. 3: CONTACT - CuSn (bronze)
 CONTACT FINISH - Au (gold)

- 2 ALL DIMENSIONS ARE FOR NOMINAL REFERENCE ONLY UNLESS OTHERWISE STATED
- 3 MEASUREMENT REFERENCE ONLY
- 4 PACKAGING: 1 PIECE IN A BAG

TECHNICAL DATA	0-2120959-1	1-2120959-1
RATED VOLTAGE	60V	30V
RATED IMPULSE VOLTAGE	800V	800V
POLLUTION DEGREE	3	3
OVERVOLTAGE CATEGORY	II	II
MATERIAL GROUP	II	II
RATED CURRENT	4A	4A
VOLUME RESISTIVITY	≤ 3mΩ	≤ 3mΩ
DEGREE OF PROTECTION	IP67	IP67
UPPER TEMPERATURE	+85 °C	+85 °C
LOWER TEMPERATURE	-40 °C	-40 °C



PIN ARRANGEMENT (SCALE 5:1)



1-1 AS SHOWN WIE GEZEICHNET

24 / 0.25mm ²	⚠	4	1-2120959-1
24 / 0.25mm ²	⚠	3	0-2120959-1
WIRES AWG / mm ²	MATERIAL	NUMBER OF POLES	TE-PART-NO.

DIESE ZEICHNUNG IST EIN KONTROLLIERTES DOKUMENT. BEMASSUNGEN UND TOLERANZEN GEMAESS GPS (ISO STANDARDS).

THIS DRAWING IS A CONTROLLED DOCUMENT. DIMENSIONING AND TOLERANCING PER GPS (ISO STANDARDS).

DIMENSIONS: MASSE/WEITEN: (MM)	TOLERANCES UNLESS OTHERWISE SPECIFIED: ALLGEMEINTOLERANZEN	DWN YASHKUMAR 08MAY2014	TE Connectivity
	0 PLC ± 1 PLC ± 2 PLC ± 3 PLC ± 4 PLC ±	CHK M. STRELOW 08MAY2014	
MATERIAL	ANGLES/WINKEL ± FINISH/OBERFLAECHE/FARBE	APVD C. SCHRETTINGER 08MAY2014	
		NAME M8 FEMALE PANEL MOUNT CONNECTOR, SOLDER TERMINALS.	

SIZE A2	CAGE CODE 00779	DRAWING NO. C-2120959	RESTRICTED TO MUR FUER -
Customer Drawing	/KUNDENZEICHNUNG	SCALE MASSSTAB 5:1	SHEET BLATT 1 OF 1 REV A1

SIZE ISO 14405 (E)