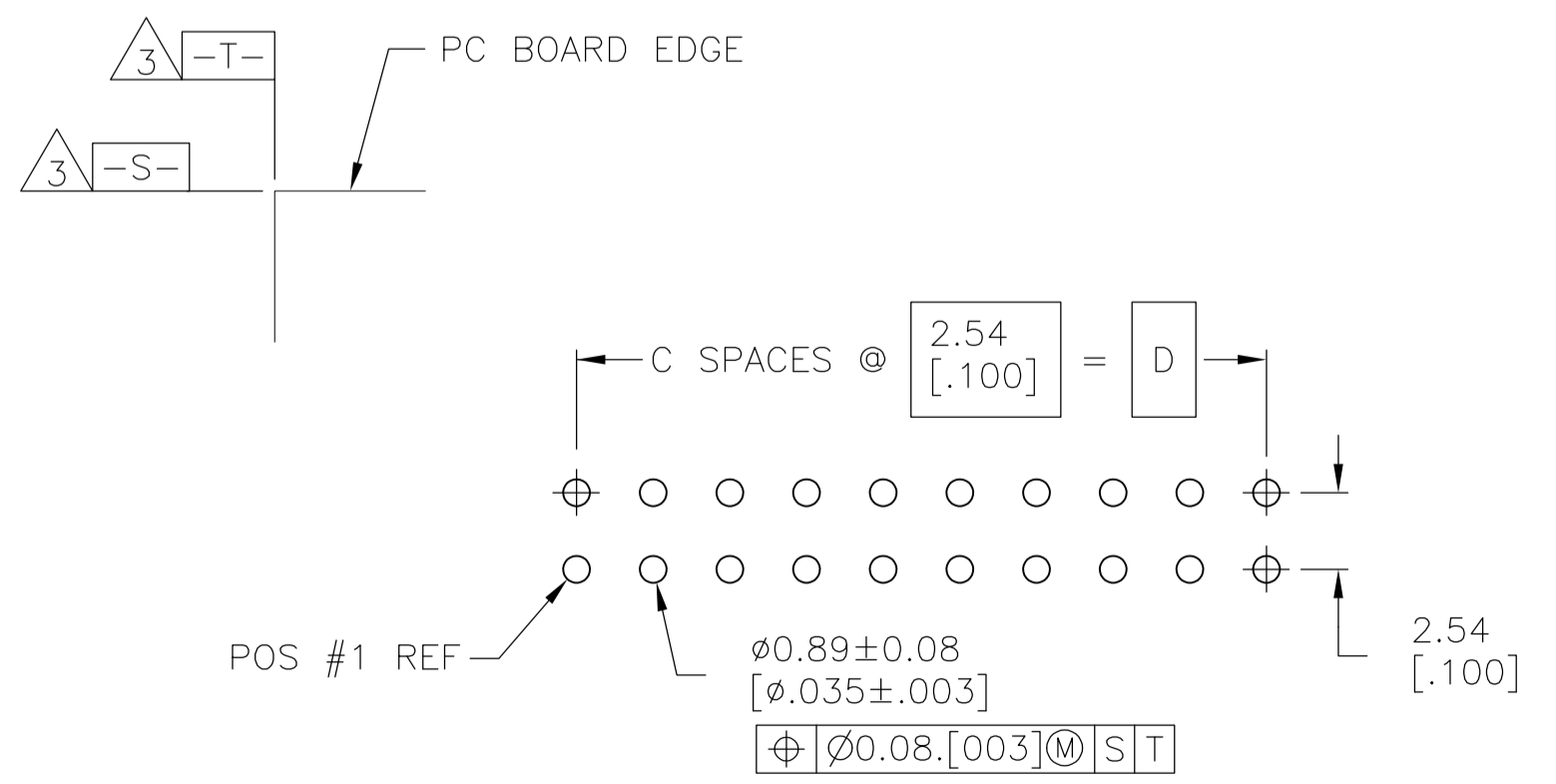
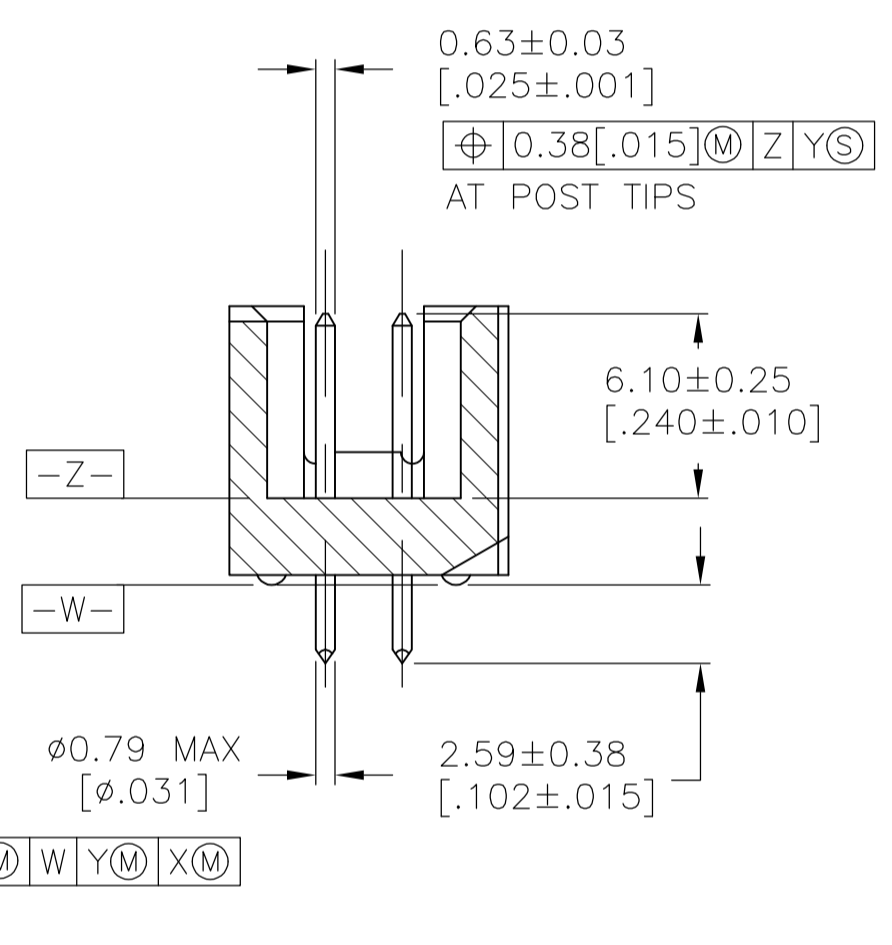
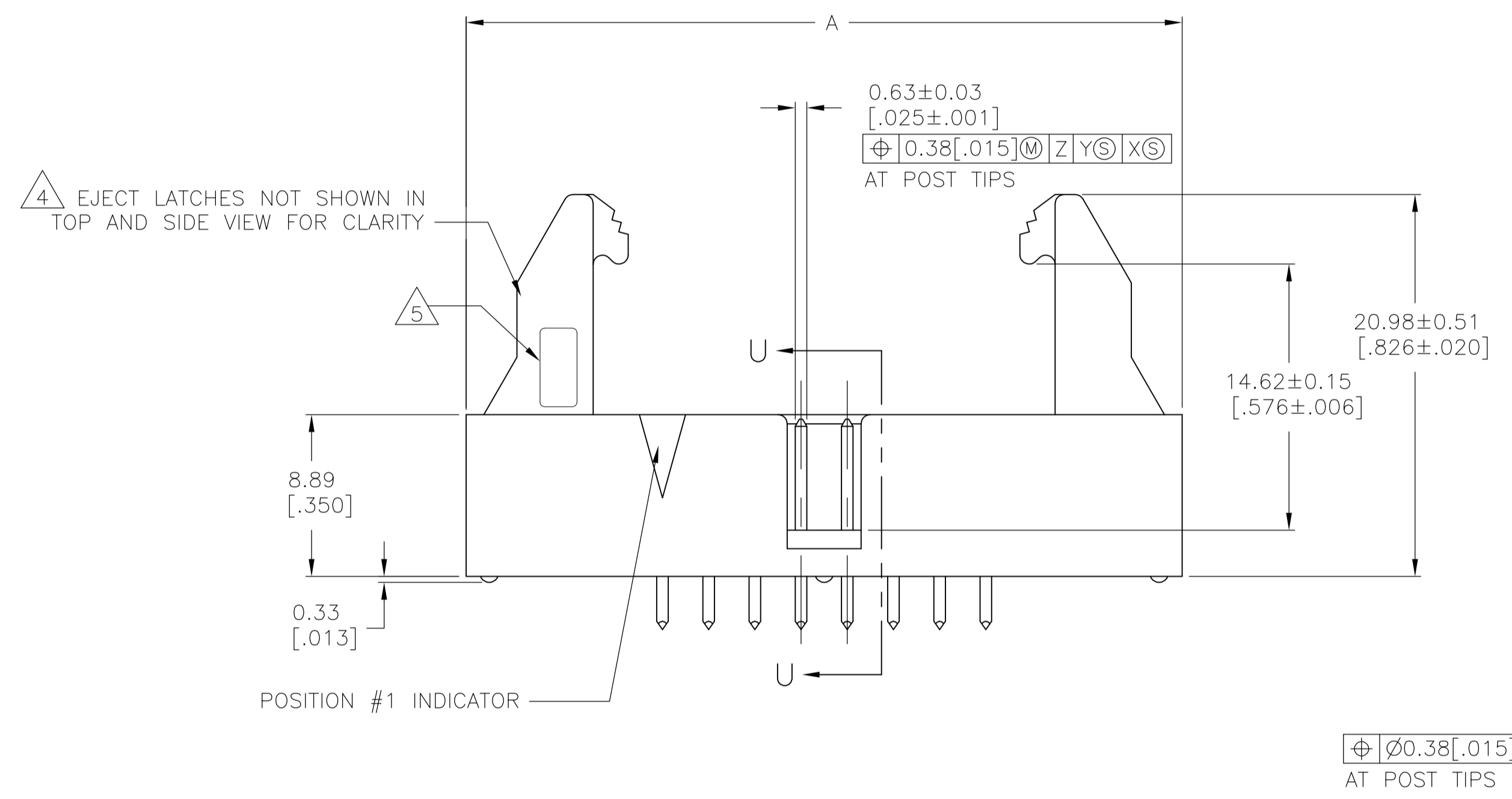


- 1 HOUSING & EJECT LATCHES: PBT, UL94V-0, COLOR BLUE. POSTS: PHOSPHOR BRONZE.
- 2 POSTS: 0.00076[.000030] MIN GOLD ON MATING AREA, 0.00254[.000100] MIN TIN ON SOLDER END, ALL OVER 0.00127[.000050] MIN NICKEL ON ENTIRE POST.
- 3 DATUMS S & T TO BE ESTABLISHED BY CUSTOMER.
- 4 LONG EJECT LATCHES FOR MATING IDC/AMP-LATCH STYLE RECEPTACLES WITH A STRAIN RELIEF
- 5 MANUFACTURER'S LOGO TO BE LOCATED IN APPROXIMATE AREA SHOWN.



RECOMMENDED PC BOARD LAYOUT (VIEWED FROM CONNECTOR SIDE)

| | D | C | B | A | NO OF POS | PART NUMBER |
|----------|---------------|----|---------------|----------------|-----------|-------------|
| OBsolete | 78.74 [3.100] | 31 | 86.36 [3.400] | 100.33 [3.950] | 64 | 1-1761686-7 |
| OBsolete | 73.66 [2.900] | 29 | 81.28 [3.200] | 95.25 [3.750] | 60 | 1-1761686-6 |
| | 60.96 [2.400] | 24 | 68.58 [2.700] | 82.55 [3.250] | 50 | 1-1761686-5 |
| | 53.34 [2.100] | 21 | 60.96 [2.400] | 74.93 [2.950] | 44 | 1-1761686-4 |
| | 48.26 [1.900] | 19 | 55.88 [2.200] | 69.85 [2.750] | 40 | 1-1761686-3 |
| OBsolete | 43.18 [1.700] | 17 | 50.80 [2.000] | 64.77 [2.550] | 36 | 1-1761686-2 |
| | 40.64 [1.600] | 16 | 48.26 [1.900] | 62.23 [2.450] | 34 | 1-1761686-1 |
| OBsolete | 35.56 [1.400] | 14 | 43.18 [1.700] | 57.15 [2.250] | 30 | 1-1761686-0 |
| | 30.48 [1.200] | 12 | 38.10 [1.500] | 52.07 [2.050] | 26 | 1761686-9 |
| | 27.94 [1.100] | 11 | 35.56 [1.400] | 49.53 [1.950] | 24 | 1761686-8 |
| | 22.86 [0.900] | 9 | 30.48 [1.200] | 44.45 [1.750] | 20 | 1761686-7 |
| | 17.78 [0.700] | 7 | 25.40 [1.000] | 39.37 [1.550] | 16 | 1761686-6 |
| | 15.24 [0.600] | 6 | 22.86 [0.900] | 36.83 [1.450] | 14 | 1761686-5 |
| | 10.16 [0.400] | 4 | 17.78 [0.700] | 31.75 [1.250] | 10 | 1761686-3 |

THIS DRAWING IS A CONTROLLED DOCUMENT.

| | | | | | | | |
|-------------------------|--|-----------|-----------|-----------|--------------------|-----------|------------|
| DIMENSIONS: mm [INCHES] | TOLERANCES UNLESS OTHERWISE SPECIFIED: | 0 PLC ± - | 1 PLC ± - | 2 PLC ± - | 3 PLC ± 0.13[.005] | 4 PLC ± - | ANGLES ± - |
|-------------------------|--|-----------|-----------|-----------|--------------------|-----------|------------|

MATERIAL: 1 FINISH: 2

| | | | |
|----------------------------|---------------------|-------------------|------------------|
| APPROVED: B. CRISAMORE/DJI | DATE: 05/JUN/05 | NAME: M. WALMSLEY | DATE: 05/JUN/05 |
| PRODUCT SPEC: M. WALMSLEY | APPLICATION SPEC: - | SIZE: A1 | CAGE CODE: 00779 |
| WEIGHT: - | DRAWING NO: 1761686 | SCALE: 4:1 | SHEET 1 OF 1 |

CUSTOMER DRAWING