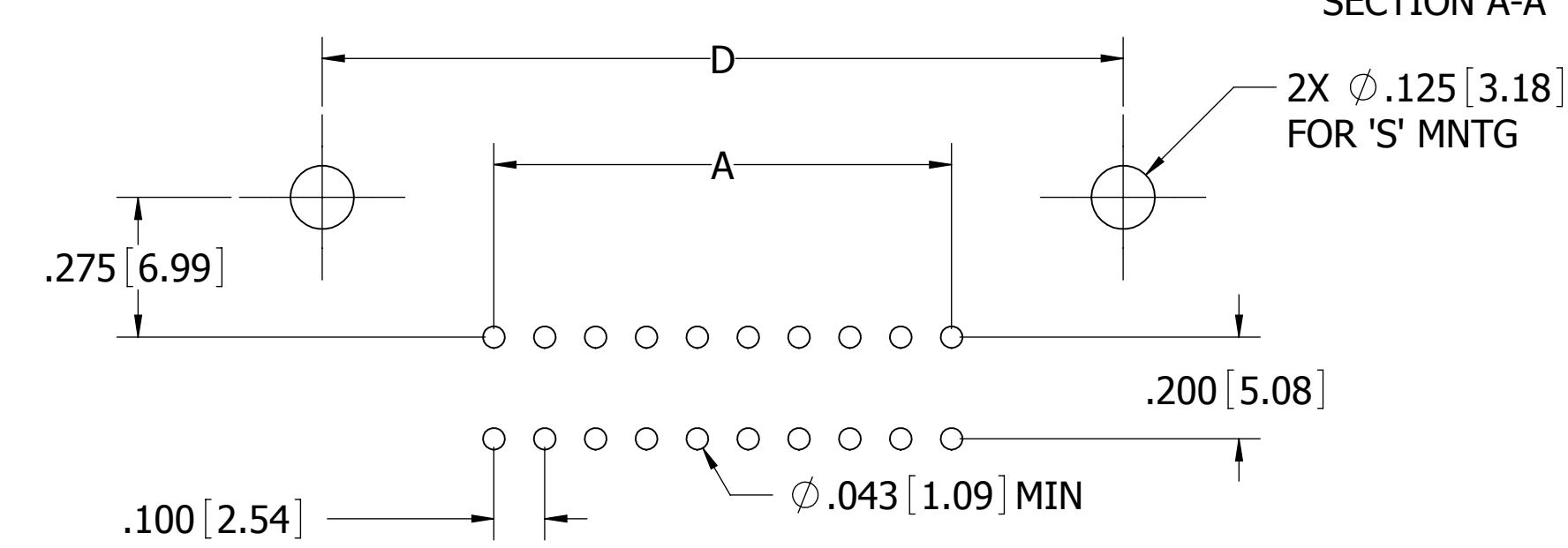
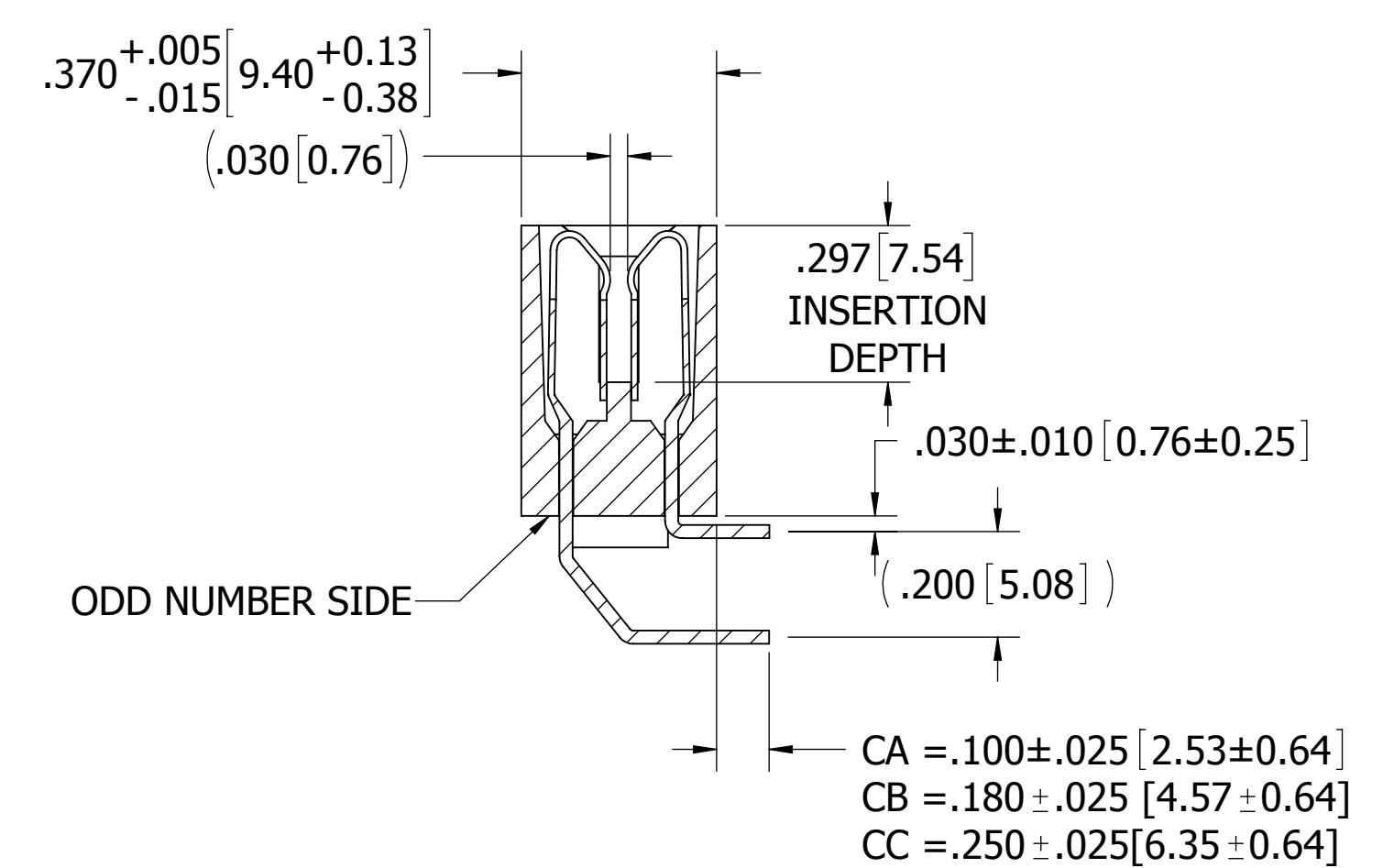
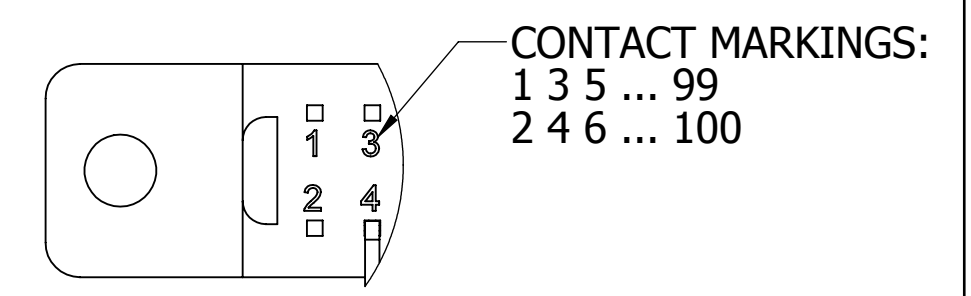


REVISIONS				
REV.	ECO. NO	DESCRIPTION	DATE	BY
A	1094	INITIAL RELEASE	7-19-2006	MNH
B	2379	ADDED CB & CC TERMINATION	6/17/2011	SE
C	3243	UPDATE DWG FORMAT, REMOVE PCB LAYOUT & UPDATE BOM ON PRODUCTION COPY	8/13/2015	MG

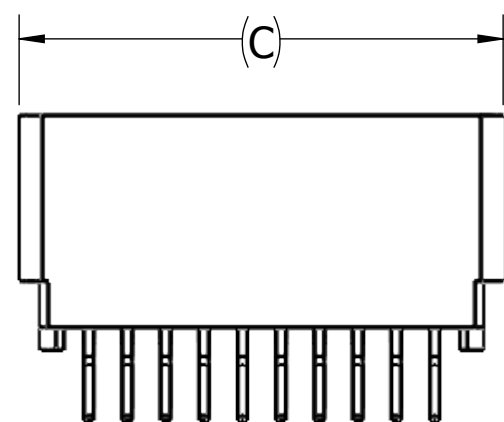
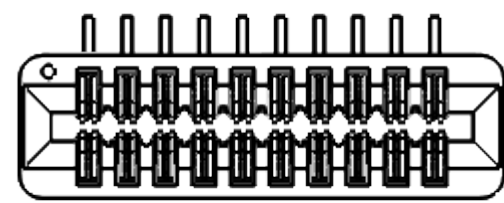


- NOTES:**
- INSULATOR MATERIAL: SEE PART NUMBER CODING
 - CONTACT MATERIAL: SEE PART NUMBER CODING
 - PLATING: SEE PART NUMBER CODING
 - OPERATING TEMPERATURE: SEE PART NUMBER CODING
 - PROCESSING TEMP: SEE PART NUMBER CODING
 - UL FLAMMABILITY RATING: 94V-0
 - OPERATING VOLTAGE: 700 VAC
 - CURRENT RATING: 3 AMPS
 - CONTACT RESISTANCE: 30 MILLI OHMS MAX
 - INSULATION RESISTANCE: 5000 MEGA OHMS
 - DURABILITY: 500 CYCLES MIN
 - CONNECTOR IDENTIFICATION: THE PART SHALL BE MARKED WITH A PART NUMBER AND LOT CODE
 - BOARD THICKNESS ACCOMMODATED: .062 ± .008 [1.57 ± 0.20]
 - INSERTION FORCE: 16 OZ MAX PER CONTACT PAIR WHEN USING A .062 [1.57] TEST BLADE
INTERNAL INSPECTION TO BE PER SULLIN'S WORK INSTRUCTION WI7.3-01
 - WITHDRAWAL FORCE: 1 OZ MIN PER CONTACT PAIR USING .062 [1.57] PCB
 - MODIFICATION: RIGHT ANGLE BEND WITH .200" ROW SPACING

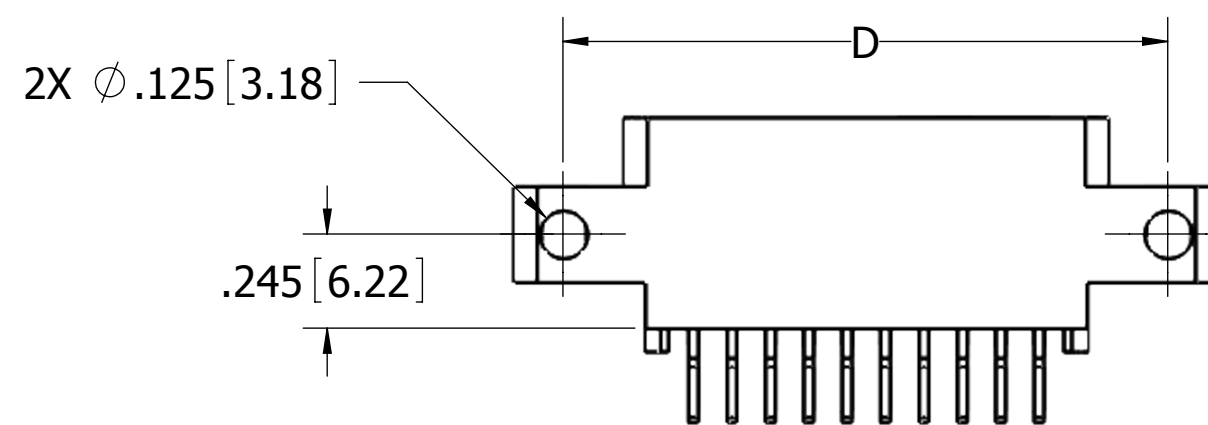
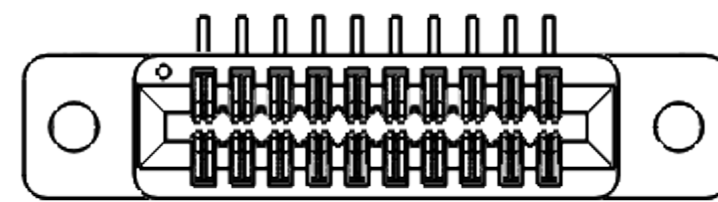
CUSTOMER COPY



UNLESS OTHERWISE SPECIFIED: DIMENSIONS ARE IN INCHES [MM]		DRAWN	DATE	NAME	
			06/17/11	SE	
TOLERANCES:					<small>THE INFORMATION HEREIN CONTAINS PROPRIETARY INFORMATION OF SULLINS ELECTRONICS AND IS NOT TO BE REPRODUCED, USED OR DISCLOSED TO OTHERS FOR ANY PURPOSE EXCEPT AS SPECIFICALLY AUTHORIZED IN WRITING BY AN OFFICER OF SULLINS ELECTRONICS.</small>
ANGULAR: ± 1°					
DECIMALS .XX = ± .02 [.5] .XXX = ± .005 [1.3] .XXXX = ± .0005 [0.13]					
TITLE		EDGECARD, .100 CC HP			
PART NUMBER		C DCA(CB,CC) -S189			
SIZE	CAGE CODE	DWG. NO.	REV		
C	54453	C10789	C		
SCALE: 3:1		SHEET 1 OF 3			

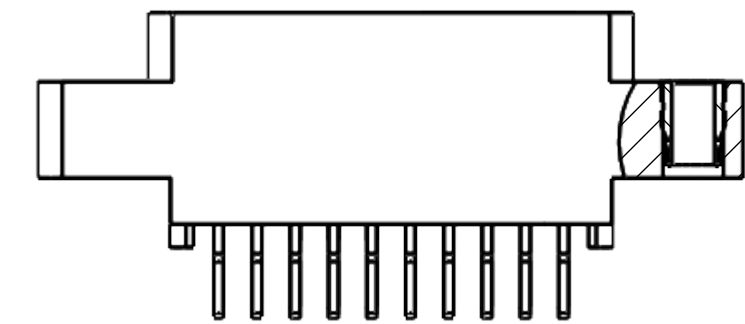
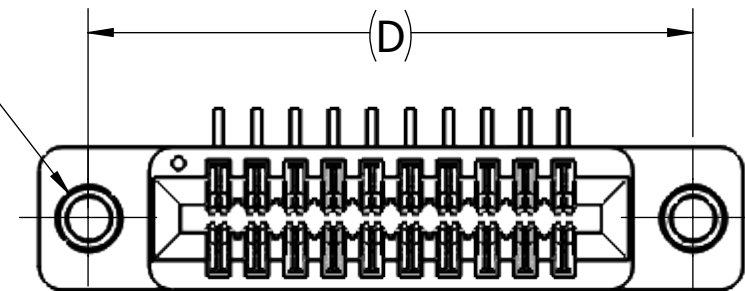


--- C --- **DCAN-S189**
 --- C --- **DCBN-S189**
 --- C --- **DCCN-S189**



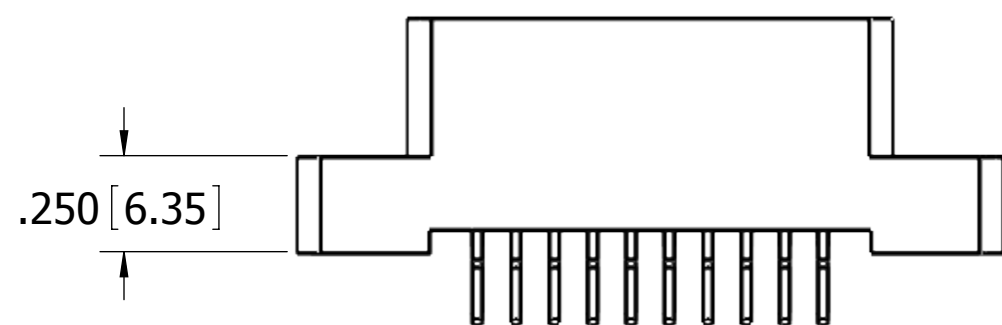
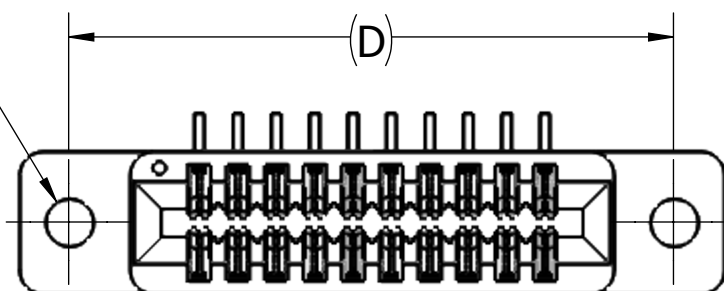
--- C --- **DCAS-S189**
 --- C --- **DCBS-S189**
 --- C --- **DCCS-S189**

2X #4-40
 THREADED
 INSERTS



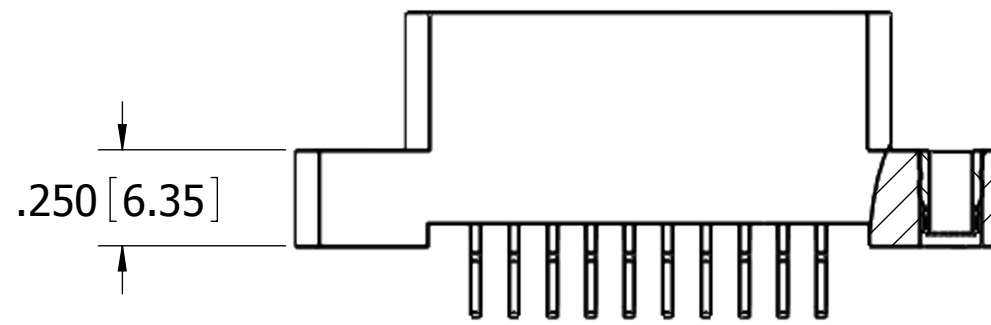
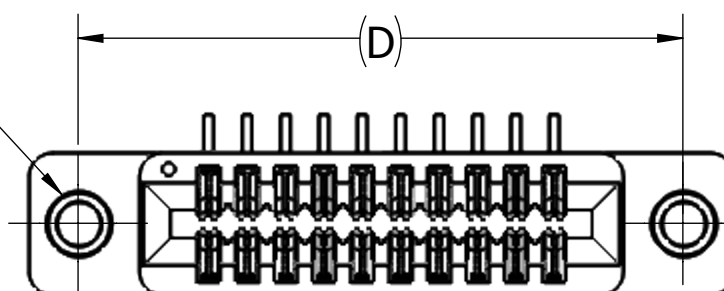
--- C --- **DCAI-S189**
 --- C --- **DCBI-S189**
 --- C --- **DCCI-S189**

2X Ø.125 [3.18]



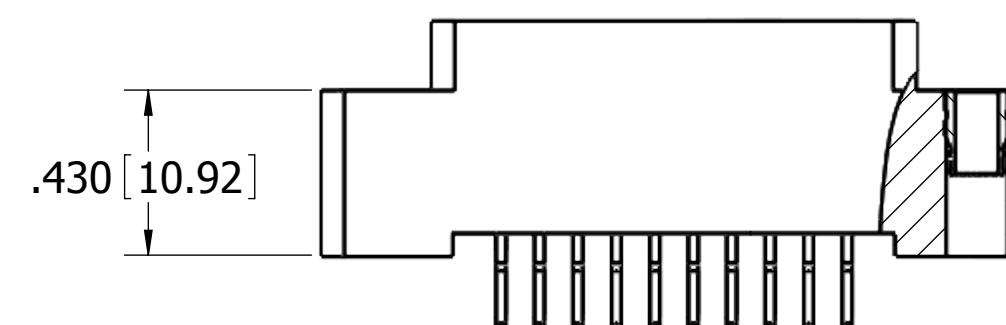
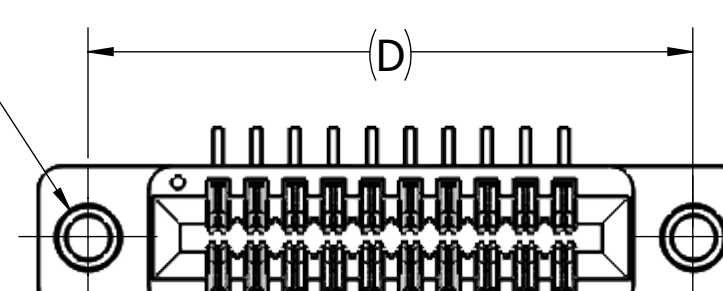
--- C --- **DCAD-S189**
 --- C --- **DCBD-S189**
 --- C --- **DCCD-S189**

2X #4-40
 THREADED
 INSERTS



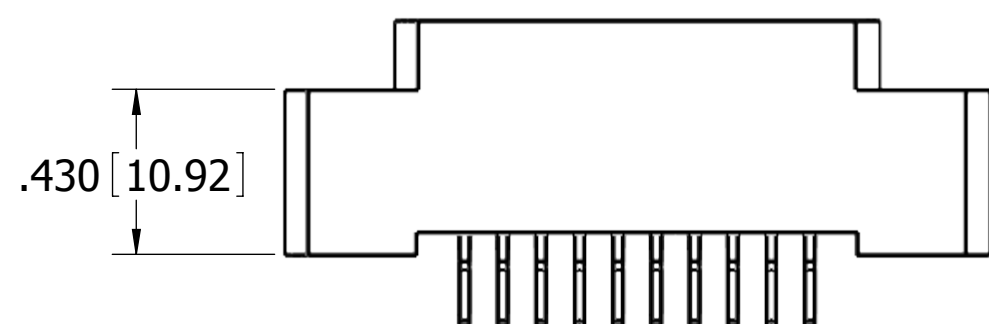
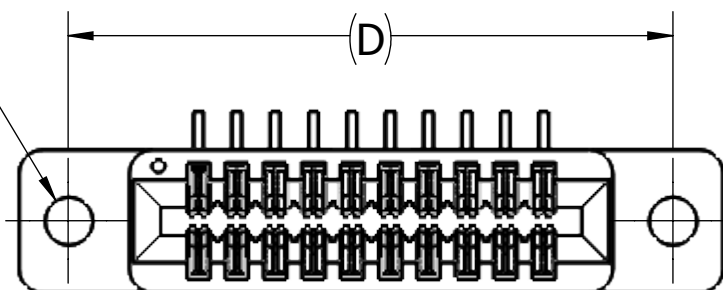
--- C --- **DCAT-S189**
 --- C --- **DCBT-S189**
 --- C --- **DCCT-S189**

2X #4-40
 THREADED
 INSERTS



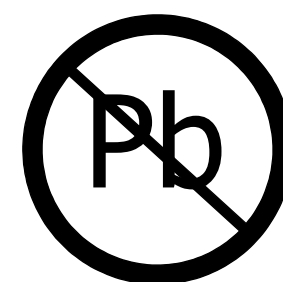
--- C --- **DCAX-S189**
 --- C --- **DCBX-S189**
 --- C --- **DCCX-S189**

2X Ø.125 [3.18]



--- C --- **DCAW-S189**
 --- C --- **DCBW-S189**
 --- C --- **DCCW-S189**

CUSTOMER COPY

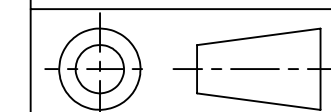


UNLESS OTHERWISE SPECIFIED:
 DIMENSIONS ARE IN INCHES [MM]

TOLERANCES:
 ANGULAR: ± 1°
 DECIMALS
 .XX=± .02 [.5]
 .XXX=± .005 [.13]
 .XXXX=± .0005 [.013]

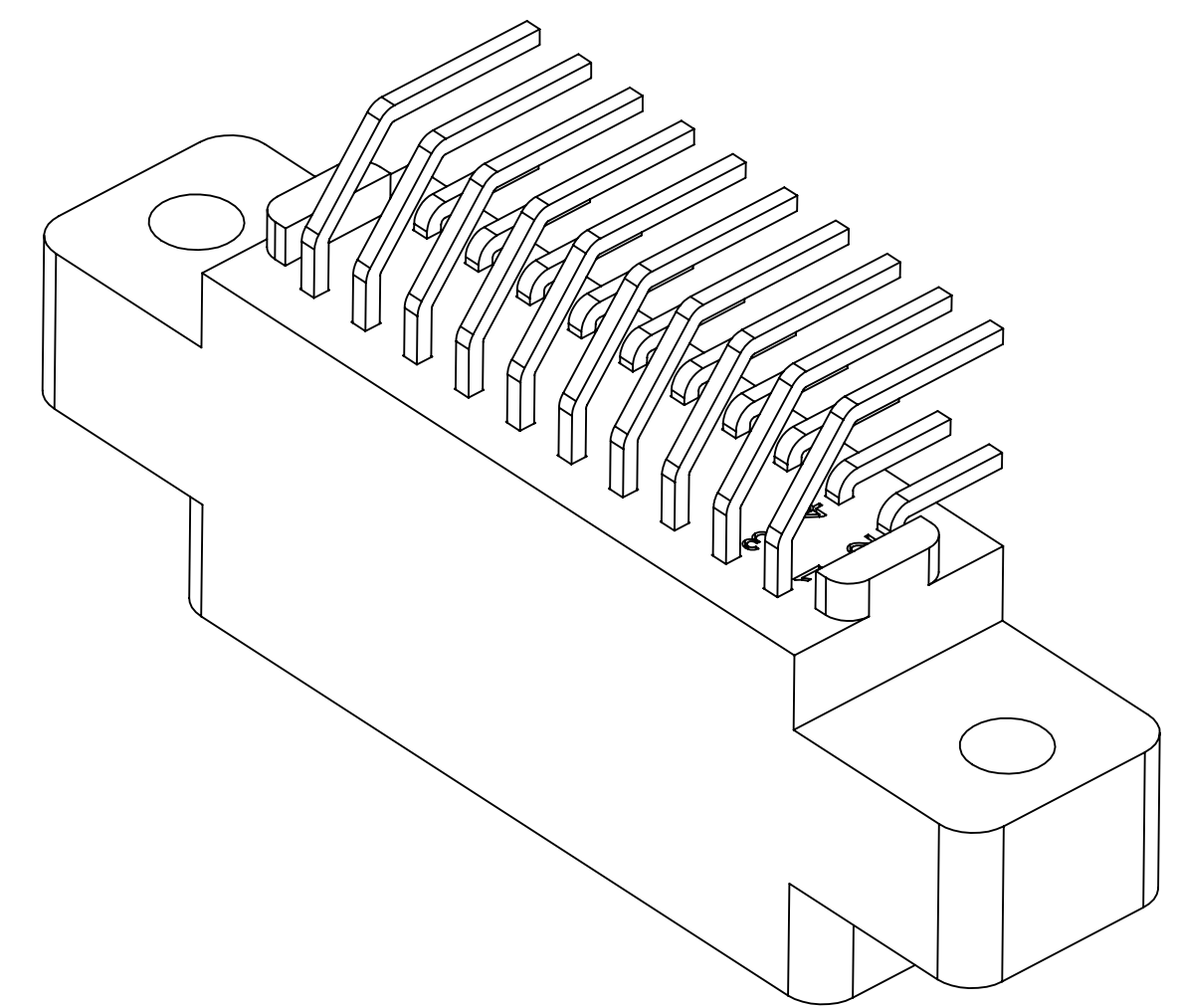
DRAWN	DATE	NAME
	06/17/11	SE

THE INFORMATION HEREIN CONTAINS
 PROPRIETARY INFORMATION OF
 SULLINS ELECTRONICS AND IS NOT
 TO BE REPRODUCED, USED OR
 DISCLOSED TO OTHERS FOR ANY
 PURPOSE EXCEPT AS SPECIFICALLY
 AUTHORIZED IN WRITING BY AN
 OFFICER OF SULLINS ELECTRONICS.



TITLE EDGECARD, .100 CC HP			
PART NUMBER ___C___DCA(CB,CC)_S189			
SIZE C	CAGE CODE 54453	DWG. NO. C10789	REV C
SCALE: 2:1		SHEET 2 OF 3	

NO. OF POSITIONS	POSITIONS	A±.008[±0.20]		B±.008[±0.20]		C±.015[±0.38]		D±.010[±0.25]		E±.020[±0.51]		F±.015[±0.38]		
		INCH	MM	INCH	MM	INCH	MM	INCH	MM	INCH	MM	INCH	MM	
C06D	-S189	6	0.500	12.70	0.700	17.78	0.860	21.84	1.175	29.85	1.435	36.45	0.750	19.05
C07D	-S189	7	0.600	15.24	0.800	20.32	0.960	24.38	1.275	32.39	1.535	38.99	0.850	21.59
C08D	-S189	8	0.700	17.78	0.900	22.86	1.060	26.92	1.375	34.93	1.635	41.53	0.950	24.13
C10D	-S189	10	0.900	22.86	1.100	27.94	1.260	32.00	1.575	40.01	1.835	46.61	1.150	29.21
C12D	-S189	12	1.100	27.94	1.300	33.02	1.460	37.08	1.775	45.09	2.035	51.69	1.350	34.29
C13D	-S189	13	1.200	30.48	1.400	35.56	1.560	39.62	1.875	47.63	2.135	54.23	1.450	36.83
C15D	-S189	15	1.400	35.56	1.600	40.64	1.760	44.70	2.075	52.71	2.335	59.31	1.650	41.91
C17D	-S189	17	1.600	40.64	1.800	45.72	1.960	49.78	2.275	57.79	2.535	64.39	1.850	46.99
C18D	-S189	18	1.700	43.18	1.900	48.26	2.060	52.32	2.375	60.33	2.635	66.93	1.950	49.53
C20D	-S189	20	1.900	48.26	2.100	53.34	2.260	57.40	2.575	65.41	2.835	72.01	2.150	54.61
C22D	-S189	22	2.100	53.34	2.300	58.42	2.460	62.48	2.775	70.49	3.035	77.09	2.350	59.69
C24D	-S189	24	2.300	58.42	2.500	63.50	2.660	67.56	2.975	75.57	3.235	82.17	2.550	64.77
C25D	-S189	25	2.400	60.96	2.600	66.04	2.760	70.10	3.075	78.11	3.335	84.71	2.650	67.31
C28D	-S189	28	2.700	68.58	2.900	73.66	3.060	77.72	3.375	85.73	3.635	92.33	2.950	74.93
C30D	-S189	30	2.900	73.66	3.100	78.74	3.260	82.80	3.575	90.81	3.835	97.41	3.150	80.01
C31D	-S189	31	3.000	76.20	3.200	81.28	3.360	85.34	3.675	93.35	3.935	99.95	3.250	82.55
C35D	-S189	35	3.400	86.36	3.600	91.44	3.760	95.50	4.075	103.51	4.335	110.11	3.650	92.71
C36D	-S189	36	3.500	88.90	3.700	93.98	3.860	98.04	4.175	106.05	4.435	112.65	3.750	95.25
C40D	-S189	40	3.900	99.06	4.100	104.14	4.260	108.20	4.575	116.21	4.835	122.81	4.150	105.41
C43D	-S189	43	4.200	106.68	4.400	111.76	4.560	115.82	4.875	123.83	5.135	130.43	4.450	113.03
C44D	-S189	44	4.300	109.22	4.500	114.30	4.660	118.36	4.975	126.37	5.235	132.97	4.550	115.57
C49D	-S189	49	4.800	121.92	5.000	127.00	5.160	131.06	5.475	139.07	5.735	145.67	5.050	128.27
C50D	-S189	50	4.900	124.46	5.100	129.54	5.260	133.60	5.575	141.61	5.835	148.21	5.150	130.81
C55D	-S189	55	5.400	137.16	5.600	142.24	5.760	146.30	6.075	154.31	6.335	160.91	5.650	143.51
C60D	-S189	60	5.900	149.86	6.100	154.94	6.260	159.00	6.575	167.01	6.835	173.61	6.150	156.21
C61D	-S189	61	6.000	152.40	6.200	157.48	6.360	161.54	6.675	169.55	6.935	176.15	6.250	158.75
C65D	-S189	65	6.400	162.56	6.600	167.64	6.760	171.70	7.075	179.71	7.335	186.31	6.650	168.91
C70D	-S189	70	6.900	175.26	7.100	180.34	7.260	184.40	7.575	192.41	7.835	199.01	7.150	181.61
C80D	-S189	80	7.900	200.66	8.100	205.74	8.260	209.80	8.575	217.81	8.835	224.41	8.150	207.01
C90D	-S189	90	8.900	226.06	9.100	231.14	9.260	235.20	9.575	243.21	9.835	249.81	9.150	232.41
C100D	-S189	100	9.900	251.46	10.100	256.54	10.260	260.60	10.575	268.61	10.835	275.21	10.150	257.81



PART NUMBER CODING

C D -S189

MATERIALS (INSULATOR / CONTACT)

- E = PBT/PHOSPHOR BRONZE**
OPERATING TEMP: -65°C TO +125°C
PROCESSING TEMP: WAVE/MANUAL SOLDERING ONLY
- R = PPS/PHOSPHOR BRONZE**
OPERATING TEMP: -65°C TO +125°C
PROCESSING TEMP: 260°C MAX FOR 20 SECS
- G = PA9T/PHOSPHOR BRONZE**
OPERATING TEMP: -65°C TO +125°C
PROCESSING TEMP: 260°C MAX FOR 20 SECS

MOUNTING STYLE

- H = .125" DIA. CLEARANCE HOLES
- I = #4-40 THREADED INSERT
- S = .125" DIA. SIDE MOUNTING
- N = NO MOUNTING EARS
- D = FLUSH MOUNTING
- W = FLUSH MOUNTING
- X = FLUSH MOUNTING WITH # 4-40 THREADED INSERT
- T = FLUSH MOUNTING WITH # 4-40 THREADED INSERT

TERMINATION

- CA = .100"[2.54mm] TAIL LENGTH
- CB = .180"[4.57mm] TAIL LENGTH
- CC = .250"[6.35mm] TAIL LENGTH

NUMBER OF POSITIONS (CONTACTS PER ROW)

PLATING

- ALL PLATINGS ARE LEAD FREE AND HAVE .000050" NICKEL UNDERPLATE
- CONTACT SURFACE
B = .000010" GOLD
C = .000030" GOLD
- TERMINATION
.000100" PURE TIN, MATTE
.000100" PURE TIN, MATTE



CUSTOMER COPY

UNLESS OTHERWISE SPECIFIED: DIMENSIONS ARE IN INCHES [MM]	DRAWN	DATE	NAME	
		06/17/11	SE	
TOLERANCES: ANGULAR: ± 1° DECIMALS .XX=± .02 [.5] .XXX=± .005 [.13] .XXXX=± .0005 [.013]	<small>THE INFORMATION HEREIN CONTAINS PROPRIETARY INFORMATION OF SULLINS ELECTRONICS AND IS NOT TO BE REPRODUCED, USED OR DISCLOSED TO OTHERS FOR ANY PURPOSE EXCEPT AS SPECIFICALLY AUTHORIZED IN WRITING BY AN OFFICER OF SULLINS ELECTRONICS.</small>			TITLE
				EDGE CARD, .100 CC HP
PART NUMBER				REV
C DCA(CB,CC) -S189				C
SIZE	CAGE CODE	DWG. NO.	REV	
C	54453	C10789	C	
SCALE: 2:1			SHEET 3 OF 3	