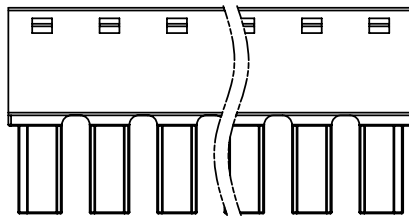
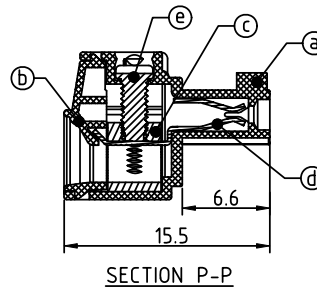
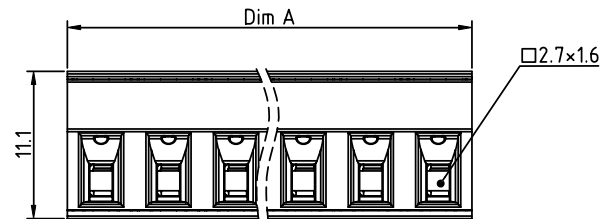
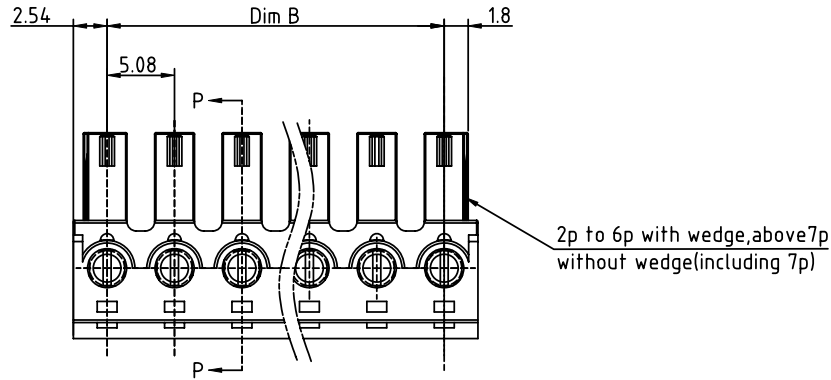


PRODUCT NUMBER	PITCH
VRxx51x100J0G	5.08 mm



Material

- Item (a) Terminal body: Thermoplastic (UL94V-0)
- Item (b) Terminal cover: Thermoplastic (UL94V-0)
- Item (c) Clamp: Brass, Ni plated
- Item (d) Female contact: PhBz, Tin plated
- Item (e) Terminal screw: Steel Cr3+ Zinc plating "-" slot type

Electrical cULus

- Voltage rating: 300VAC
- Current rating: 10A
- Wire range:
- Solid wire (AWG): 14-30
- Stranded wire (AWG): 14-30
- Torque (Lb-In): 2
- Screw: M2
- Wire strip length: 7-8mm
- Withstanding Voltage: 1.6KV
- Operating temperature: -40°C to +115°C
- Safety Approval:

Dimension

Dim A	Nx5.08
Dim B	(N-1)x5.08

N=Number of poles

Poles	Tolerance
2p-8p	±0.15
9p-15p	±0.25
16p-23p	±0.30

PART NO.: VR xx 51 x 1 00J0 G

	Solid block	No. of poles	Color	RoHS compliant (lead<4% in copper Alloy)
0	Black (RAL9005)			
2	Red (RAL3001/D)	2 poles		
3	Orange (RAL2011/P)	3 poles		
4	Yellow (RAL1018/A)	...		
5	Green (RAL6018/T)	24 poles		
6	Blue (RAL5015/A)			
8	Grey (RAL7035/D)			
9	White (RAL1102)			
C	Green (RAL6018/U)			

mat'l. code				surface ASME Y14.5 ✓	tolerance ASME Y14.5	projection 	product family TERMINAL BLOCK
ltr	ecn	no	dr	date	tolerances unless otherwise specified	MM 	title TERMINAL BLOCK PLUGGABLE PLUG, CONTACT ON UP SIDE WITHOUT FLANGE
					angles 		scale
					X'±1"		X.XX±0.1
			dr	EVIN ZHONG	041814		dwg no VRxx51x100J0G
			enr	EVIN ZHONG	041814		sheet 1 of 1
			chr	HANKE FENG	041814		size A4
			appd	SHI JUN	041814		type CUSTOMER Drawing
sheet index	revision	A					
	sheet	1					