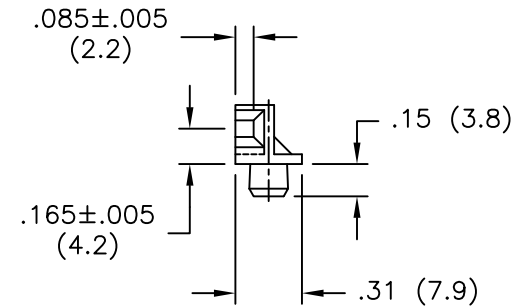
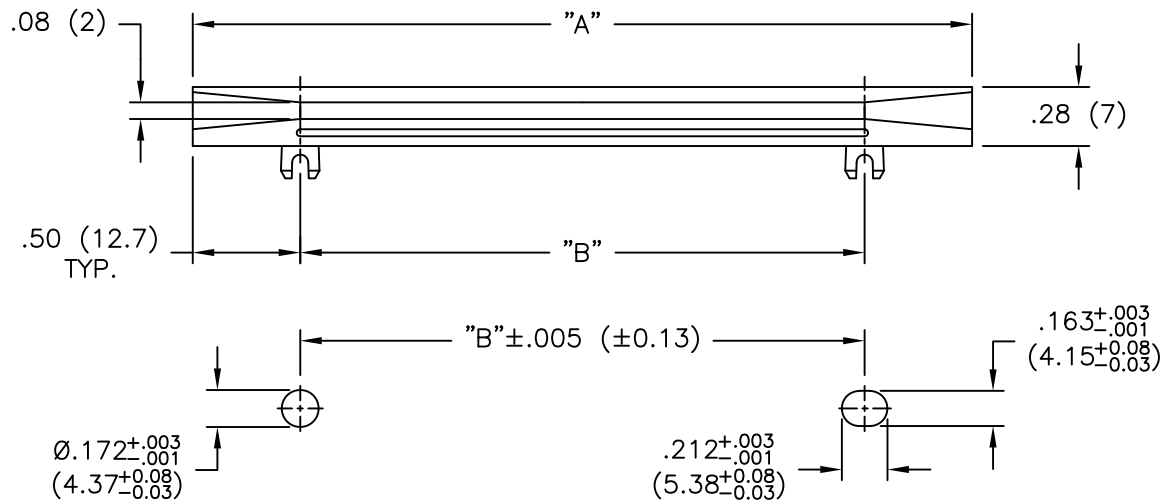


PART NO.	DIM."A" REF	DIM. B"±.016
RSSHG-201-165	2.0 (50.8)	1.0 (25.4)
RSSHG-251-165	2.5 (63.5)	1.5 (38.1)
RSSHG-301-165	3.0 (76.2)	2.0 (50.8)
RSSHG-351-165	3.5 (88.9)	2.5 (63.5)
RSSHG-401-165	4.0 (101.6)	3.0 (76.2)
RSSHG-451-165	4.5 (114.3)	3.5 (88.9)
RSSHG-501-165	5.0 (127.0)	4.0 (101.6)
RSSHG-601-165	6.0 (152.4)	5.0 (127.0)



RECOMMENDED MOUNTING HOLES  
 PANEL THICKNESS: .047-.090 (1.2-2.3)

NOTES:

1. MATERIAL: FLAME RETARDANT NYLON 6/6 (RMS-66).
2. COLOR: BLACK.

TITLE: SINGLE SIDED HORIZONTAL CARD GUIDE			DWG IN IN (MM)		FINAL	
D	SEE CO 200604 FOR CHANGES	SK 12.01.10	TOLERANCES UNLESS NOTED .XX=±.01 (X.XX)=±0.5	FILE # RSSHG	DWN: SM	DT: 12/17/01
C	CHANGED MOUNTING HOLE, SEE CO #200491	DZ 02.09.10	RE: RICHCO, INC.	MAT'L: SEE NOTES	CHKD:	ENG: RT
B	SEE ECN #874 FOR CHANGES	SM 10.27.04		RICHCO INC. ENG@RICHCO-INC.COM (773) 539-4060		PART #
A	REDRAWN FROM UK PRINT (REV. A)	SM 12.17.01			SEE TABLE	
REV	DESCRIPTION	ENGR DATE			CA	