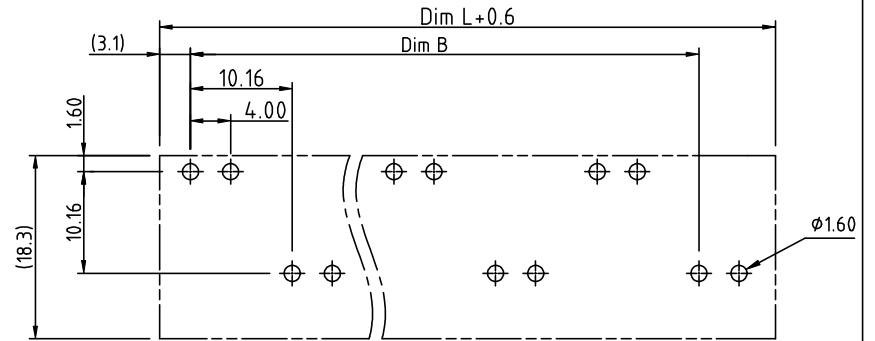
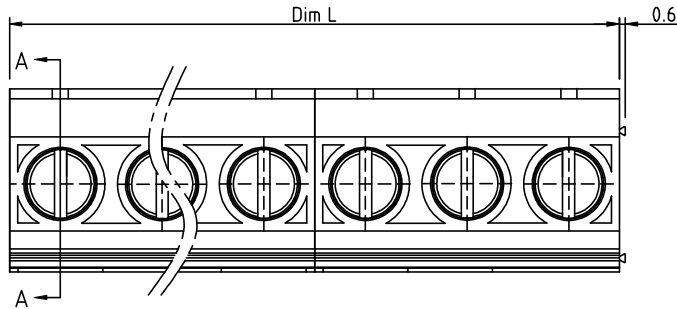


PRODUCT NUMBER	PITCH
VPxx65x700J0G	10.16 mm

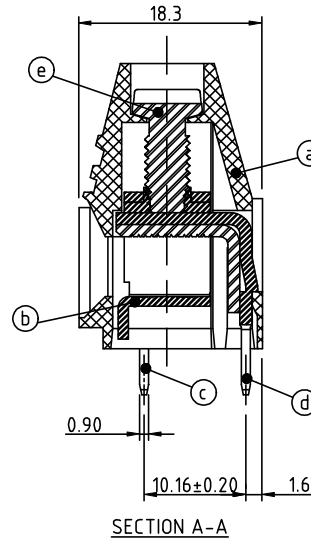


RECOMMENDED P.C.B LAYOUT
TOP VIEW

Material:

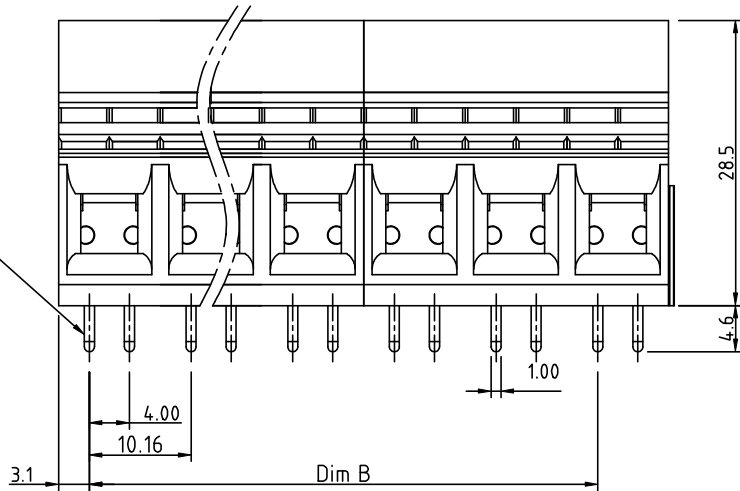
- Item (a) Terminal housing :Thermoplastic (UL 94V-0)
- Item (b) Clamp : Steel stamping , Zinc plated
- Item (c) Solder pin1: Copper , Tin plated
- Item (d) Solder pin2: Copper, Tin plated
- Item (e) Terminal screw: Steel Zinc plating"-slot type

- Electrical cULus IEC
- Voltage rating : 300V 1000V
 - Current rating : 65A 76A
 - Wire range :
 - Solid wire (AWG) : 6-20 / 16mm²
 - Stranded wire (AWG) : 6-20 / 16mm²
 - Torque : 19 Lb-In / 1.2 N.m
 - Screw : M4.5
 - Wire strip length : 10-11mm
 - Withstanding voltage : 1.6KV / 6KV
 - Operating temperature : -40°C+115°C
 - Soldering temperature : 260°C+5°C/5 Sec
 - Safety Approval : cULus



SECTION A-A

First pole with
Side contacts



PART NO.: VP xx 6 5 x 7 00J0 G

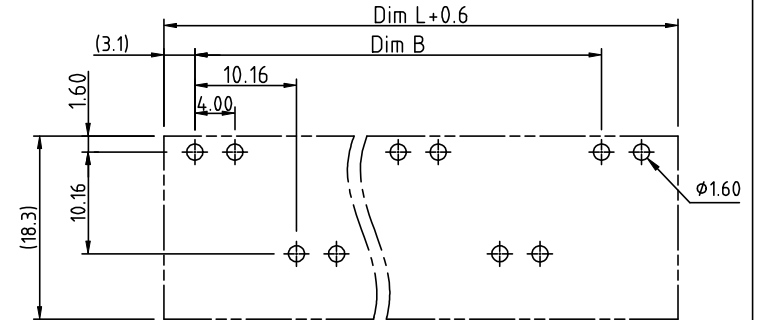
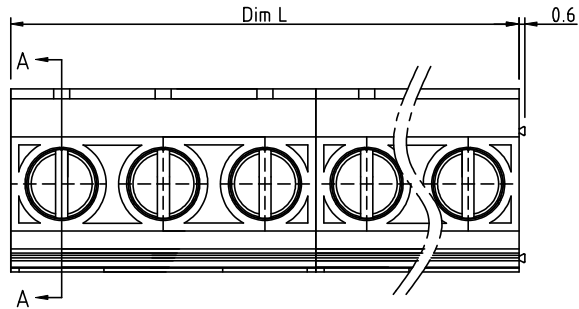
N = Number of poles
Dim L=N×10.16
Dim B=(N-1)×10.16

Poles	Tolerance
2P/4p	±0.15
6P/8p	±0.25
10P/12p	±0.35

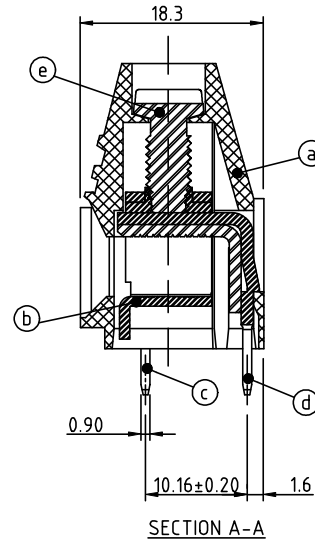
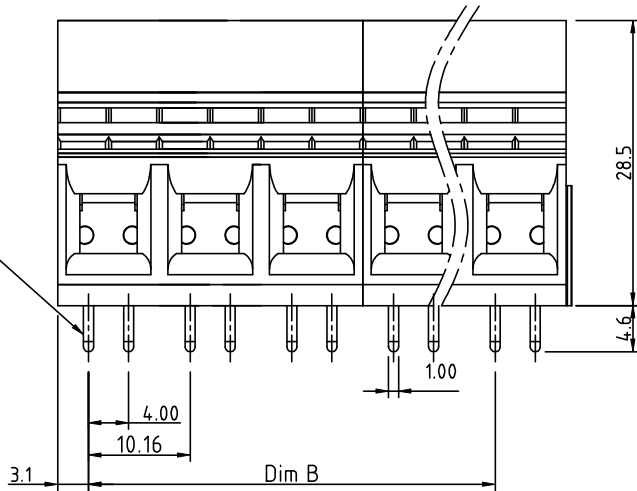
End Stackable	No. of poles	Body Color	RoHS compliant
0	2	Black (RAL9005)	(lead<4%)
2	3	Red (RAL3001/D)	In copper Alloy
3	4	Orange(RAL2011/P)	
4	4	Yellow(RAL1018/A)	
5	5	Green(RAL6018/T)	
6	6	Blue (RAL5015/A)	
8	8	Grey(RAL7035/D)	
9	9	White(RAL1102)	
C	12	Green(RAL6018/U)	

mat'l. code		surface ASME Y14.5	tolerance ASME Y14.5	projection	product family TERMINAL BLOCK
ltr	ecn no	dr	date	 MM	title TERMINAL BLOCK
tolerances unless otherwise specified					scale
angles		X.±0.5			type CUSTOMER Drawing
X'±1"		X.X±0.3			
X.XX±0.1		X.XX±0.1			
dr	EVIN ZHONG	041414			
enr	EVIN ZHONG	041414			
chr	HANKE FENG	041414			
appd	SHI JUN	041414			
sheet index	revision sheet	A	1		

PRODUCT NUMBER	PITCH
VPxx65x700J0G	10.16 mm



RECOMMENDED P.C.B LAYOUT
TOP VIEW



SECTION A-A

Material:

- Item a Terminal housing :Thermoplastic (UL 94V-0)
- Item b Clamp : Steel stamping , Zinc plated
- Item c Solder pin1: Copper , Tin plated
- Item d Solder pin2: Copper , Tin plated
- Item e Terminal screw: Steel Zinc plating"-slot type

- Electrical cULus IEC
- Voltage rating : 300V 1000V
 - Current rating : 65A 76A
 - Wire range :
 - Solid wire (AWG) : 6-20 / 16mm²
 - Stranded wire (AWG) : 6-20 / 16mm²
 - Torque : 19 Lb-In / 1.2 N.m
 - Screw : M4.5
 - Wire strip length : 10-11mm
 - Withstanding voltage : 1.6KV / 6KV
 - Operating temperature : -40°C+115°C
 - Soldering temperature : 260°C+5°C/5 Sec
 - Safety Approval : cULus

PART NO.: VP xx 6 5 x 7 00J0 G

N = Number of poles
Dim L=Nx10.16
Dim B=(N-1)x10.16

Poles	Tolerance
3P	±0.15
5P/7P	±0.25
9P/11P	±0.35

End Stackable	No. of poles	Body Color	RoHS compliant
0	3 poles	Black (RAL9005)	(lead<4%)
2	5 poles	Red (RAL3001/D)	In copper Alloy
3	...	Orange(RAL2011/P)	
4	11 poles	Yellow(RAL1018/A)	
5		Green(RAL6018/T)	
6		Blue (RAL5015/A)	
8		Grey(RAL7035/D)	
9		White(RAL1102)	
C		Green(RAL6018/U)	

mat'l. code		surface ASME Y14.5	tolerance ASME Y14.5	projection	product family TERMINAL BLOCK
ltr	ecn no	dr	date	 MM scale	title TERMINAL BLOCK RISING CLAMP,DOUBLE INTERLACE TAIL TYPE,ODD POLES
tolerances unless otherwise specified					dr EVIN ZHONG 041414 engr EVIN ZHONG 041414 chr HANKE FENG 041414 appd SHI JUN 041414
sheet index		revision sheet	A 2		