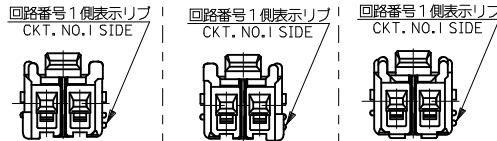
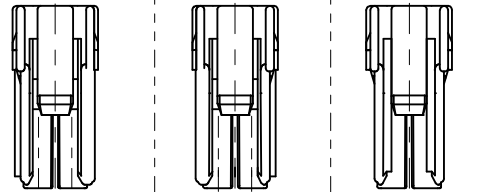


REC TERM
56187/56188-8*00
501395/500989-1*00

嵌合断面図
MATED CROSS SECTION

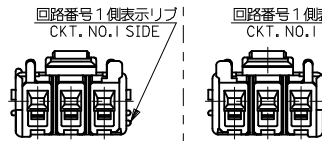
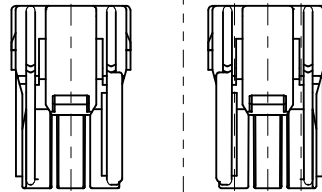
各種形状を下記に参考として示す。
尚、2種及び3種については嵌合間口にて誤嵌合/バリエーションを持たせている為組み合わせには注意して下さい。

2極品の形状
SHAPE OF 2 CIRCUITS



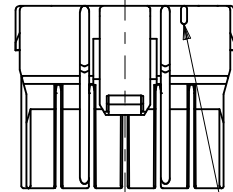
SHAPE OF 51347-0200 SHAPE OF 51347-0212 SHAPE OF 51347-0224

3極品の形状
SHAPE OF 3 CIRCUITS



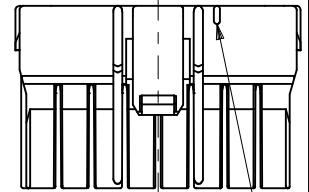
SHAPE OF 51347-0300 SHAPE OF 51347-0312

6極品の形状
SHAPE OF 6 CIRCUITS



SHAPE OF 51347-0650

8極品の形状
SHAPE OF 8 CIRCUITS



SHAPE OF 51347-0850

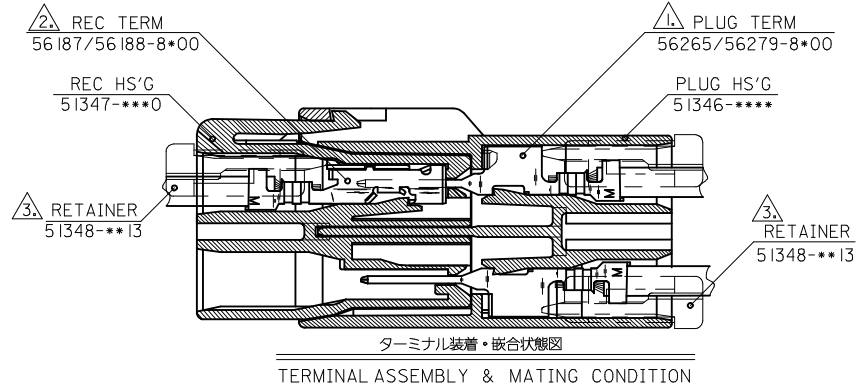
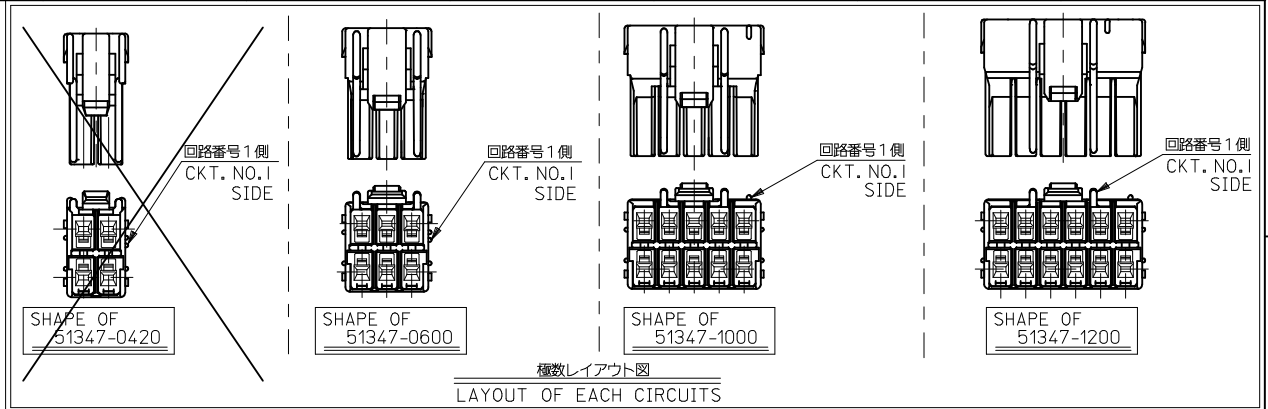
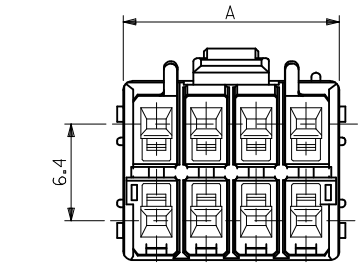
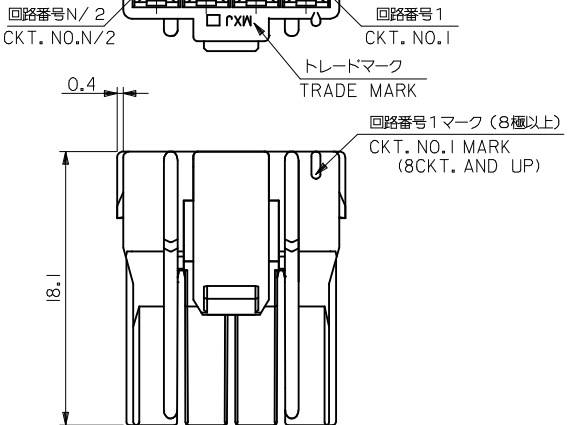
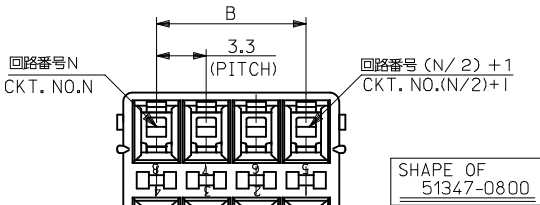
- 注記 NOTES
- 適合ターミナル : 56187/56188-8*00, 500989-1*00
APPLICABLE TERMINAL
詳細はSD-56187-002/SD-56188-002/SD-500989-002 参照のこと。
REFERENCE:SD-56187-002/SD-56188-002/SD-500989-002
 - 嵌合相手 : 55883-****
MATE WITH
詳細はSD-55883-**** 参照のこと。
REFERENCE:SD-55883-****
 - 適合リテーナー : 51348-***13
APPLICABLE RETAINER
詳細はSD-51348-*** 参照のこと。
REFERENCE:SD-51348-***
 - 材料 : ポリアミド (PA) UL94V-0
MATERIAL : POLYAMIDE(PA) UL94V-0
 - ELV及びRoHS 適合品
ELV AND RoHS COMPLIANT

COLOR	B	A	CKT.	MATERIAL NO.	MODEL NO.
NATURAL (IVORY)	23.1	27.5	8	51347-0850	51347-****
NATURAL (IVORY)	16.5	20.9	6	-0650	
NATURAL (IVORY)	9.9	14.3	4	-0400	
RED	6.6	11		-0312	
NATURAL (IVORY)	6.6	11	3	-0300	
BLUE	3.3	7.7		-0224	
RED	3.3	7.7	2	-0212	
NATURAL (IVORY)	3.3	7.7		51347-0200	

MATERIAL 材料	注記参照 SEE NOTES.	REVISED EC NO: J2010-0432 DRWN:YOSHIKAWA 2009/09/11 CHKD:K.ASAKAWA 2009/09/14 APPR:NIKI ITA 2009/09/15	GENERAL TOLERANCES (UNLESS SPECIFIED)	DIMENSION STYLE MM ONLY	SCALE ---	DESIGN UNITS METRIC	TITLE 3.3 W/B CONN REC HSG
FINISH 仕上げ	#	REV REV	10 UNDER ±0.2	DRAWN BY T.ODA	DATE 2004/01/15	MOLEX MOLEX INCORPORATED	SHEET NO. 1 OF 1
WIRE RANGE 適用電線範囲	#		10 OVER 30 UNDER ±0.25	CHECKED BY S.ICHIKAWA	DATE		
INS. RANGE 被覆外径	#		30 OVER ±0.3	APPROVED BY Y.IITO	DATE		
			ANGULAR ±3 °	MATERIAL NO. SEE CHART	DOCUMENT NO. SD-51347-001		
			DRAFT WHERE APPLICABLE MUST REMAIN WITHIN DIMENSIONS	SIZE A3	THIS DRAWING CONTAINS INFORMATION THAT IS PROPRIETARY TO MOLEX INCORPORATED AND SHOULD NOT BE USED WITHOUT WRITTEN PERMISSION		

10 9 8 7 6 5 4 3 2 1

本図は2列品を示す
DUAL ROW ASS'Y



注記
NOTES

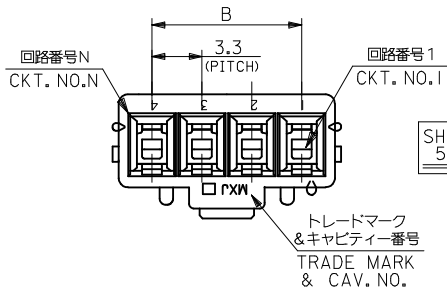
- 1 適合ターミナル: 56187/56188シリーズ
APPLICABLE TERMINAL: 56187/56188 SERIES
- 2, 嵌合相手: 51346シリーズ
MATE WITH: 51346 SERIES
- 3 適合リテーナー: 51348-***1* シリーズ
APPLICABLE RETAINER: 51348-***1* SERIES
- 4, 材質: NYLON66, UL94V-0

51346-1200	51348-0613	NATURAL	16.5	20.9	12	51347-1200	
-1000	-0513	4	13.2	17.6	10	-1000	51347-****
-0800	-0413	4	9.9	14.3	8	-0800	
51346-0600	51348-0313	NATURAL	6.6	11	6	51347-0600	
51346-0420	51348-0213	NATURAL	3.3	7.7	4	51347-0420	
MATE WITH	CONFORMABLE-RETAINER	COLOR	B	A	CKT.	MATERIAL NO.	MODEL NO.

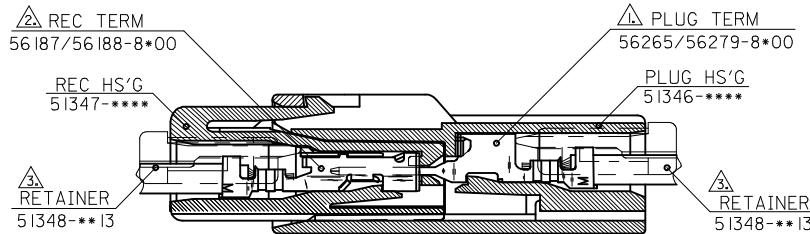
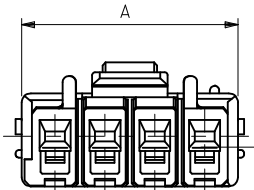
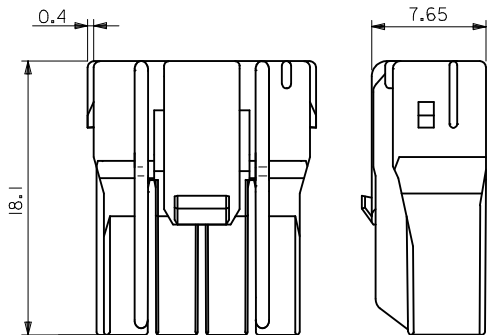
REVISED EC NO.: J2013-0477 2012/10/23 DRWN: ITO CHKD: KASAKAWA 2012/10/24 APPR: Y. ITO 2012/10/24	DESCRIPTION	GENERAL TOLERANCES (UNLESS SPECIFIED)		DIMENSION STYLE MM ONLY		SCALE ---		DESIGN UNITS METRIC		THIRD ANGLE PROJECTION		
		10 UNDER	±0.2	DRAWN BY	DATE	TITLE 3.3 W/W CONN REC HS'G						
		10 OVER 30 UNDER	±0.25	T. ODA	'04/01/15							
		30 OVER	±0.3	CHECKED BY	DATE							
		ANGULAR	±3 °	APPROVED BY	DATE	DOCUMENT NO.		SHEET NO.				
		DRAFT WHERE APPLICABLE MUST REMAIN WITHIN DIMENSIONS		SEE TABLE		SD-51347-002		1 OF 2				
		THIS DRAWING CONTAINS INFORMATION THAT IS PROPRIETARY TO MOLEX INCORPORATED AND SHOULD NOT BE USED WITHOUT WRITTEN PERMISSION										

9 8 7 6 5 4 3 2

本図は1列品を示す
SINGLE ROW ASS'Y



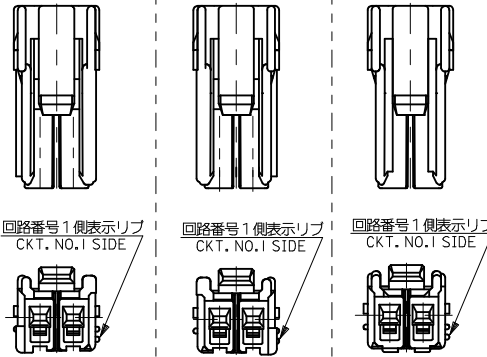
SHAPE OF
51347-0400



ターミナル装着・嵌合状態図
TERMINAL ASSEMBLY & MATING CONDITION

各種形状を下記に参考として示す。
尚、2種及び3種については嵌合間口にて誤嵌合/パリエーションを持たせている為組み合わせには注意して下さい。

2極品の形状
SHAPE OF 2 CIRCUITS

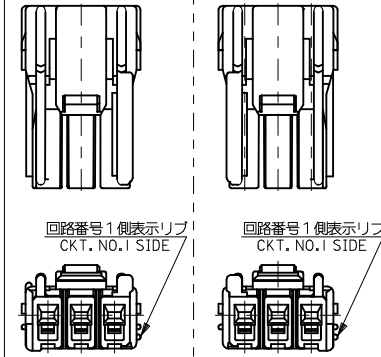


SHAPE OF
51347-0200

SHAPE OF
51347-0212

SHAPE OF
51347-0224

3極品の形状
SHAPE OF 3 CIRCUITS



SHAPE OF
51347-0300

SHAPE OF
51347-0312

- 注記 NOTES
- △ 適合ターミナル : 56265/56279-8*00
APPLICABLE TERMINAL
詳細はSD-56265-001/SD-56279-001参照のこと。
REFERENCE:SD-56265-001/SD-56279-001
 - △ 適合ターミナル : 56187/56188-8*00
APPLICABLE TERMINAL
詳細はSD-56187-002/SD-56188-002参照のこと。
REFERENCE:SD-56187-002/SD-56188-002
 - △ 適合リテーナ : 51348-***13
APPLICABLE RETAINER
詳細はSD-51348-****参照のこと。
REFERENCE:SD-51348-****
- 4, 材料 MATERIAL : NYLON66, UL94V-0

51346-0400	51348-0413	NATURAL	9.9	14.3	4	51347-0400	51347-****
-0312	-0313	RED	6.6	11	3	-0312	
-0300	-0313	NATURAL	6.6	11		-0300	
-0224	-0213	BLUE	3.3	7.7		-0224	
-0212	-0213	RED	3.3	7.7	2	-0212	
51346-0200	51348-0213	NATURAL	3.3	7.7		51347-0200	
MATE WITH	CONFORMABLE-RETAINER	COLOR	B	A	CKT.	MATERIAL NO.	MODEL NO.

REVISED EC NO: J2013-0477 2012/10/23 DRWN: ITO CHKD: KASAKAWA 2012/10/24 APPR: Y010 2012/10/24	DESCRIPTION REV	GENERAL TOLERANCES (UNLESS SPECIFIED)		DIMENSION STYLE MM ONLY		SCALE ---		DESIGN UNITS METRIC		THIRD ANGLE PROJECTION				
		10 UNDER	±0.2	DRAWN BY	DATE	TITLE		3.3W/W CONN REC HS'G						
		10 OVER 30 UNDER	±0.25	T. ODA	'04/01/15	molex					SD-51347-002			
		30 OVER	±0.3	CHECKED BY	DATE								SHEET NO.	
		ANGULAR ±3 °		APPROVED BY	DATE									
DRAFT WHERE APPLICABLE MUST REMAIN WITHIN DIMENSIONS		Y. ITO		MATERIAL NO.						DOCUMENT NO.				
				SEE TABLE										
				SIZE A3		THIS DRAWING CONTAINS INFORMATION THAT IS PROPRIETARY TO MOLEX INCORPORATED AND SHOULD NOT BE USED WITHOUT WRITTEN PERMISSION								