

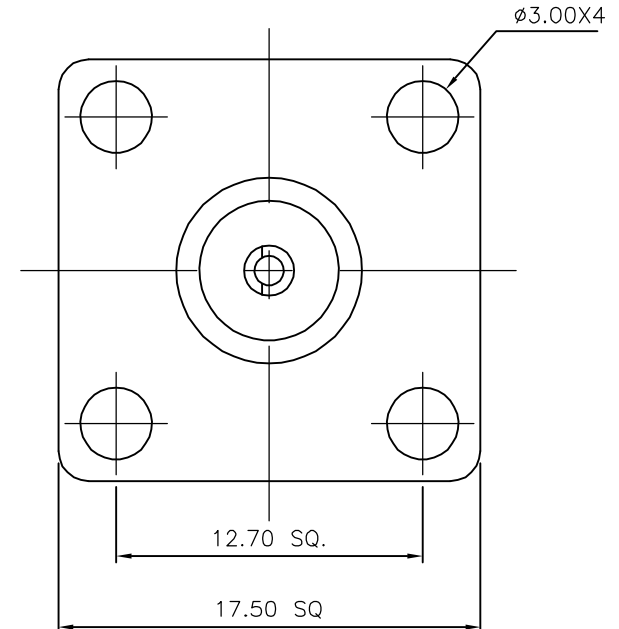
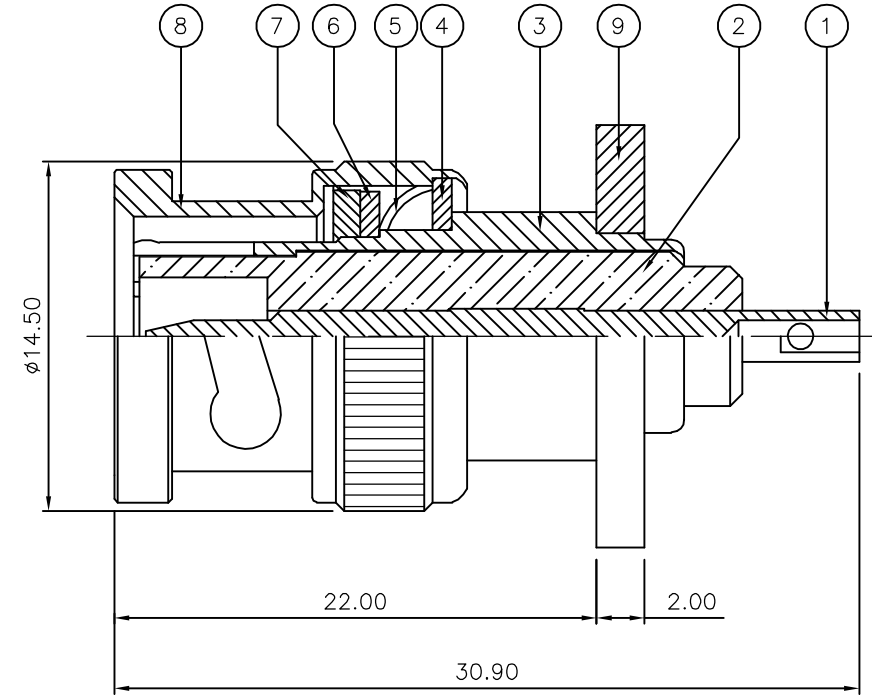
THIS DRAWING IS UNPUBLISHED. RELEASED FOR PUBLICATION JAN ,2006.

© COPYRIGHT 2006 BY TYCO ELECTRONICS CORPORATION. ALL RIGHTS RESERVED.

LOC	DIST	REVISIONS					
E	B	P	LTR	DESCRIPTION	DATE	DWN	APVD
		C		ECR-05-017969	12JAN06	JMS	FWK

NOTES:

- ① PACK IN ACCORDANCE WITH AMP SPEC 107-3275
 - ② 100 TRAY PACK IN ACCORDANCE WITH AMP SPEC 107-3275
 - ③ Ag PLATING
 - ④ THIS ITEM MUST BE WHITE
- 5 ELECTRICAL CHARACTERISTICS
- | | |
|-------------------------------|----------------------------|
| FREQUENCY RANGE: | DC - 4 GHz |
| NOMINAL IMPEDANCE: | 50 Ohm |
| INSULATION RESISTANCE: | 5000 MOhm |
| WORKING VOLTAGE: | 500 Volts RMS at Sea Level |
| DIELECTRIC WITHSTAND VOLTAGE: | 1500 Volts RMS Max |
| CONTACT RESISTANCE: | |
| CENTRE CONTACT: | 1.50 mOhm Max |
| OUTER CONTACT: | 0.20 mOhm Max |
| VSWR @ xGHz: | N/A |
| INSERTION LOSS xdb: | N/A |
- 6 MECHANICAL CHARACTERISTICS
- | | |
|---------------------------|----------------|
| COUPLING RETENTION FORCE: | 445N Min |
| CABLE RETENTION FORCE: | N/A |
| DURABILITY: | 500 Cycles Min |
- 7 ENVIRONMENTAL CHARACTERISTICS
- | | |
|------------------------|------------------|
| OPERATING TEMPERATURE: | -65 to +165 DegC |
|------------------------|------------------|



QTY	QTY PER ASSY	MATERIAL	DESCRIPTION	ITEM
1	1	BRASS	FLANGE	9
1	1	BRASS	SHELL	8
1	1	SILICON RUBBER	GASKET	7
1	1	BRASS	RETAINING RING	6
1	1	SPRING STEEL	SPRING	5
1	1	BRASS	WASHER	4
1	1	BRASS	BODY	3
1	1	PTFE	INSULATION	2
1	1	BRASS	CONTACT	1
6--0	1--0			

THIS DRAWING IS A CONTROLLED DOCUMENT.		DWN J.SANDWELL 12JAN06	Tyco Electronics Corporation Bideford EX39 4HE													
DIMENSIONS: mm		CHK S.PARLOW 12JAN06														
TOLERANCES UNLESS OTHERWISE SPECIFIED:		APVD F.WHEELER-KING 12JAN06	NAME BNC PANEL PLUG 50 OHM													
<table border="0"> <tr><td>0 PLC</td><td>± -</td></tr> <tr><td>1 PLC</td><td>± -</td></tr> <tr><td>2 PLC</td><td>± -</td></tr> <tr><td>3 PLC</td><td>± -</td></tr> <tr><td>4 PLC</td><td>± -</td></tr> <tr><td>ANGLES</td><td>± -</td></tr> </table>		0 PLC	± -	1 PLC	± -	2 PLC	± -	3 PLC	± -	4 PLC	± -	ANGLES	± -	PRODUCT SPEC -	SIZE A3	
0 PLC	± -															
1 PLC	± -															
2 PLC	± -															
3 PLC	± -															
4 PLC	± -															
ANGLES	± -															
MATERIAL SEE TABLE		APPLICATION SPEC -	CAGE CODE 00779	DRAWING NO 1337488												
FINISH -		WEIGHT -	RESTRICTED TO -													
CUSTOMER DRAWING			SCALE NTS	SHEET 1 OF 1												
			REV C													