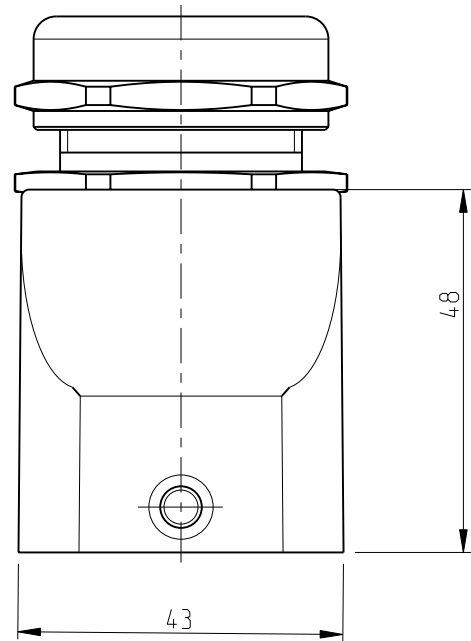
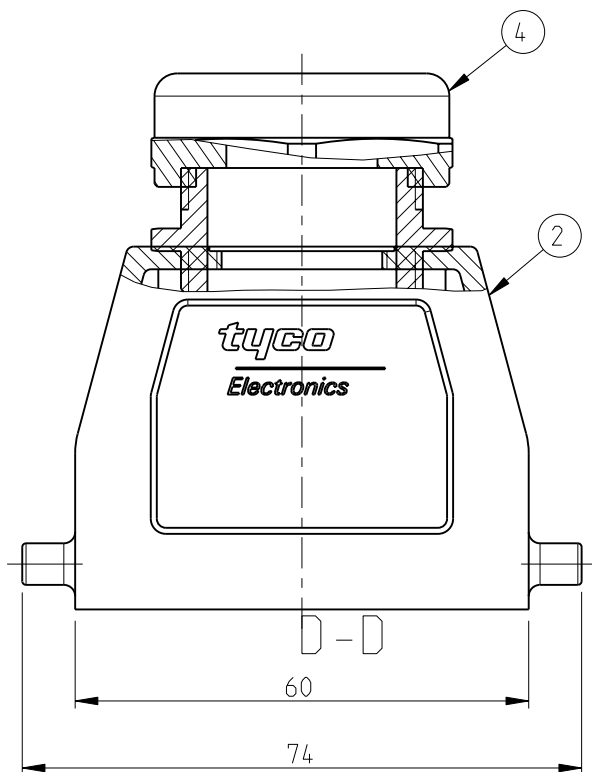


THIS DRAWING IS UNPUBLISHED. RELEASED FOR PUBLICATION 1999  
 © COPYRIGHT 1998 BY TYCO ELECTRONICS CORPORATION. ALL RIGHTS RESERVED.

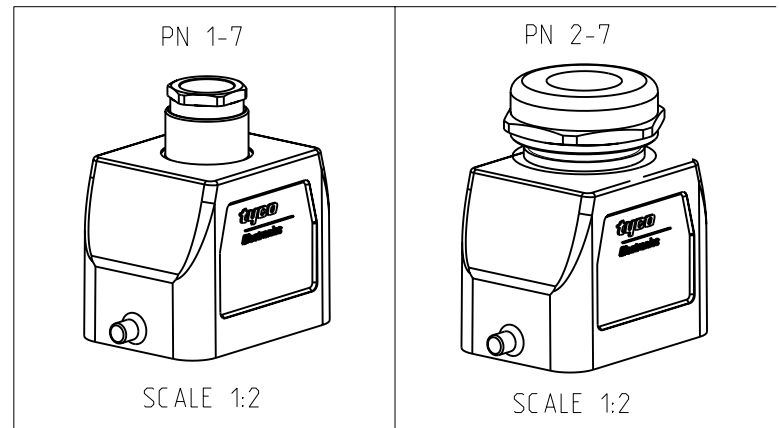
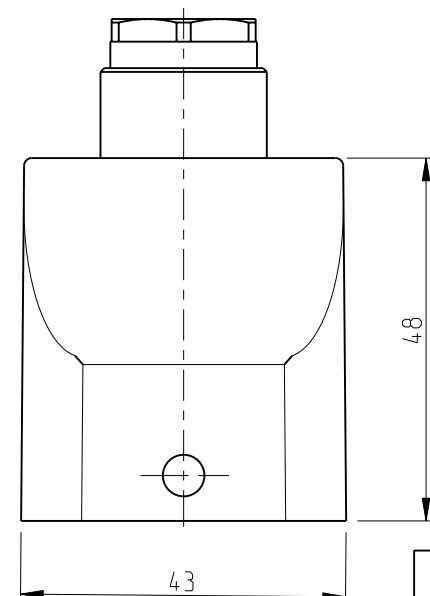
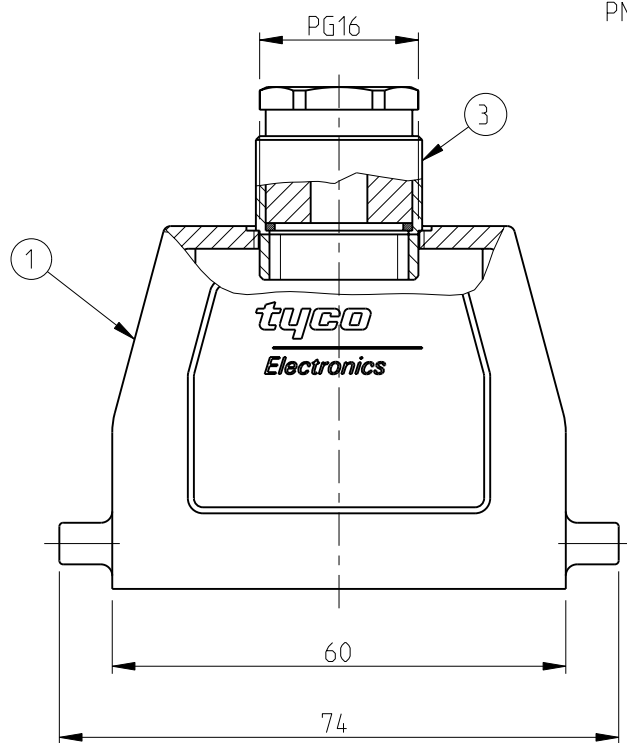
LOC	DIST	REVISIONS				
P	LTR	DESCRIPTION	DATE	DWN	APVD	
	A4	Released as per ECR-08-005944	06.Mar.2008	SP	TS	

PN 2-7



- Notes
- 1 Material: Housing: Aluminium diecasting alloy
  - 2 Surface:- Powder varnish-grey  
-aluminium oxide+  
Varnish black
  - 3 Varnish on the inside not necessary
  - 4 Packaging  
Packaging quantity: 5 pieces in a box

PN 1-7



1	-	Gland fitting PG16	Brass	Nickel plated		4	
-	1	Cable connection round PG16	Brass	Nickel plated		3	
1	-	Hood HB6.Sto	Aluminium	Aluminium oxide	Black	2	
-	1	Hood HB6.Sto	Aluminium	-	Grey	1	
2-7	1-7	DESCRIPTION	MATERIAL	SURFACE	COLOR	ITEM NO	NOTES

ORDERING TEXT  
 HB.6.Sto.1.16  
 HB-K.6.Sto.1.16

THIS DRAWING IS A CONTROLLED DOCUMENT FOR TYCO ELECTRONICS CORPORATION IT IS SUBJECT TO CHANGE AND THE CONTROLLING ENGINEERING ORGANIZATION SHOULD BE CONTACTED FOR THE LATEST REVISION.

DIMENSIONS:	TOLERANCES UNLESS OTHERWISE SPECIFIED:
mm	0 PLC ±
	1 PLC ±
	2 PLC ±
	3 PLC ±
	4 PLC ±
	ANGLES ±
MATERIAL	FINISH

DWN	Schneider	20.01.99		Tyco Electronics.AMP.GmbH			
CHK	Schweiger	20.01.99		D-53819,Neunkirchen,Germany			
APVD	NAME			Hood HB.6			
PRODUCT SPEC	114-74004						
APPLICATION SPEC	108-74001/74003						
WEIGHT	A3	00779	©	1102241	RESTRICTED TO		
CUSTOMER DRAWING			SCALE	1:1	SHEET	1 OF 1	
						REV	A4