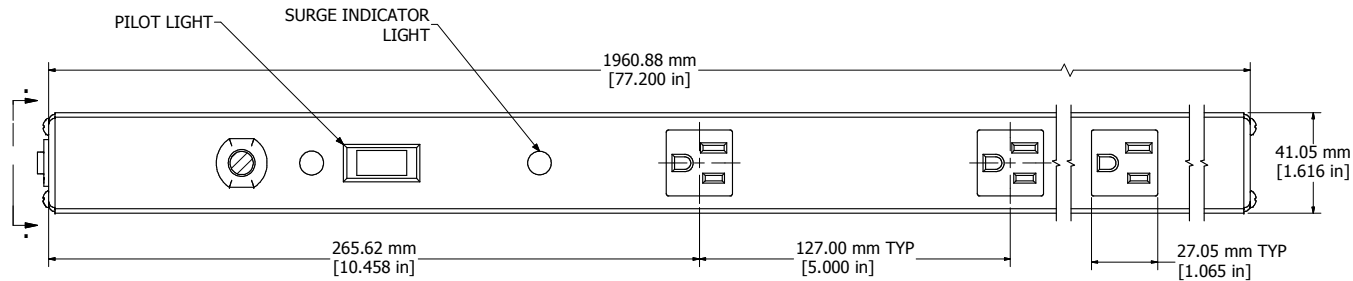
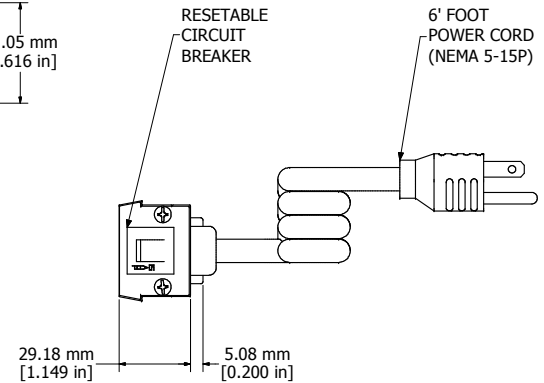


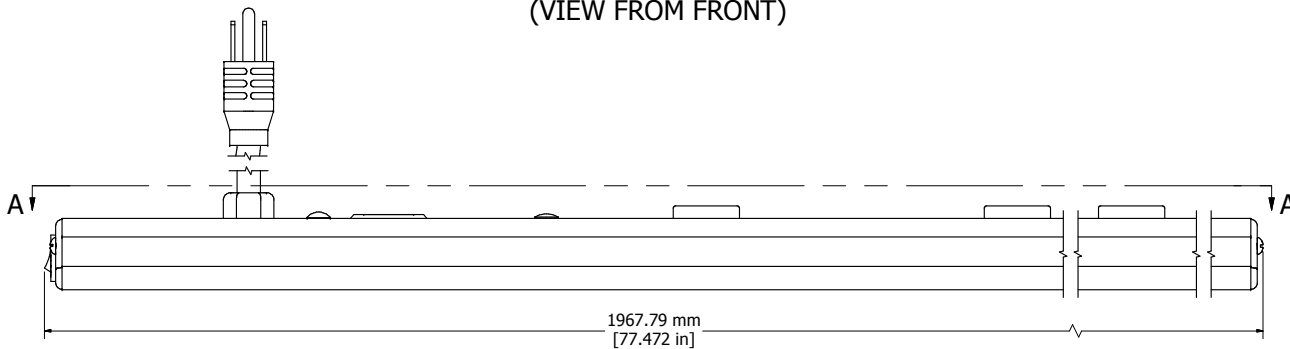
8 7 6 5 4 3 2 1



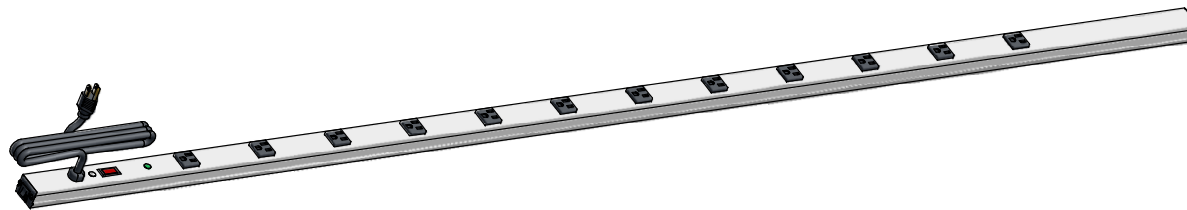
SECTION A-A
(VIEW FROM FRONT)



ASSEMBLY - VIEW FROM END



ASSEMBLY - VIEW FROM SIDE



ISOMETRIC VIEW

1588T12**S
Finish - Case - Anodized Aluminum Extrusion
Ends - ABS Plastic
Rated - 125 VAC, 60 Hz, 15 Amps
Approvals - CSA Certified Standards C22.2 (No. 21-95, 42-99)
CSA No. 8-M1986
Surge Specs - 780 Joules, 54000 Amps Transient Current
- Protection in 3 AC Modes (L-N, N-G, L-G)
Cord Length & Colour
1588T12A1S - 6' Foot Power Cord (NEMA 5-15P)
1588T12B1S - 15' Foot Power Cord (NEMA 5-15P)
Accessories Included
Mounting Bracket Kit with Hardware



**HAMMOND
MANUFACTURING™**

1588T12S**

www.hammondmfg.com

8 7 6 5 4 3 2 1