

## ISL95338

Bidirectional Buck-Boost Voltage Regulator

FN8896  
Rev.2.00  
Nov 30, 2017

The [ISL95338](#) is a bidirectional, buck-boost voltage regulator that provides buck-boost voltage regulation and protection features. Intersil's advanced R3™ Technology is used to provide high light-load efficiency, fast transient response, and seamless DCM/CCM transitions.

The ISL95338 takes input power from a wide range of DC power sources (conventional AC/DC ADPs, USB PD ports, travel ADPs, etc.) and safely converts it to a regulated voltage up to 24V. The ISL95338 can also convert a wide range DC power source connected at its output (system side) to a regulated voltage to its input (ADP side). This bidirectional buck-boost regulation feature makes its application very flexible.

The ISL95338 includes various system operation functions such as Forward mode enable, Reverse mode enable, programmable soft-start time, and adjustable  $V_{OUT}$  in both the forward direction and reverse direction. The protection functionalities include OCP, OVP, UVP, OTP, etc.

The ISL95338 has serial communication through SMBus/I<sup>2</sup>C that allows programming of many critical parameters to deliver a customized solution. These programming parameters include, but are not limited to: output current limit, input current limit, and output voltage setting.

### Related Literature

- For a full list of related documents, visit our website
- [ISL95338](#) product page

### Features

- Bidirectional buck, boost, and buck-boost operation
- Input voltage range 3.8V to 24V (no dead zone)
- Output voltage up to 20V
- Up to 1MHz switching frequency
- Programmable soft-start time
- LDO output for VDD and VDDP
- System status alert function
- Bidirectional internal discharge function
- Active switching for negative voltage transitions
- Bypass mode in both directions
- Forward mode enable, Reverse mode enable
- OCP, OVP, UVP, and OTP protection
- SMBus and auto-increment I<sup>2</sup>C compatible
- Pb-free (RoHS compliant)
- 32 Ld 4x4 TQFN Package

### Applications

- Tablet, ultrabook, power bank, mobile devices, and USB-C

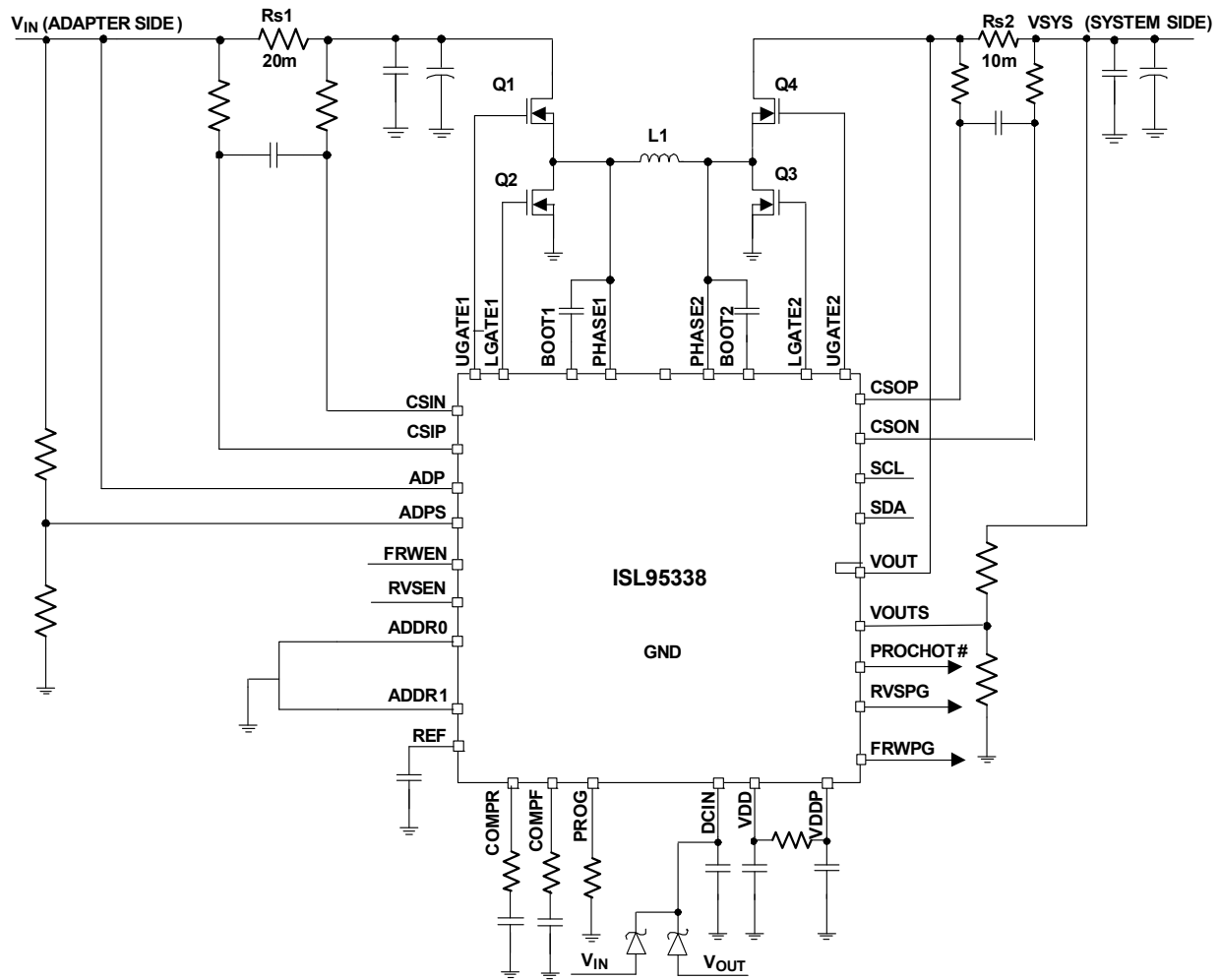


Figure 1. Typical Application Circuit

## Contents

<b>1. Overview</b>	<b>5</b>
1.1 Block Diagram	5
1.2 Simplified Application Circuit	6
1.3 Ordering Information	6
1.4 Pin Configuration	7
1.5 Pin Descriptions	7
<b>2. Specifications</b>	<b>9</b>
2.1 Absolute Maximum Ratings	9
2.2 Thermal Information	10
2.3 Recommended Operation Conditions	10
2.4 Electrical Specifications	10
2.5 SMBus Timing Specification	14
<b>3. Typical Performance Curves</b>	<b>15</b>
<b>4. General SMBus Architecture</b>	<b>18</b>
4.1 Data Validity	18
4.2 START and STOP Conditions	18
4.3 Acknowledge	19
4.4 SMBus Transactions	19
4.5 Byte Format	19
4.6 SMBus and I <sup>2</sup> C Compatibility	19
<b>5. ISL95338 SMBus Commands</b>	<b>20</b>
5.1 Setting System Side Current Limit	21
5.2 Setting Input Current Limit in Forward Mode	22
5.3 Setting System Regulating Voltage in Forward Mode	24
5.4 Setting PROCHOT# Threshold for ADP Side Overcurrent Condition	25
5.5 Setting PROCHOT# Threshold for System Side Overcurrent Condition	25
5.6 Setting PROCHOT# Debounce Time and Duration Time	26
5.7 Control Registers	26
5.8 Regulating Voltage Register in Reverse Mode	31
5.9 Output Current Limit Register in Reverse Mode	32
5.10 Input Voltage Limit Register	32
5.11 Information Register	33
<b>6. Application Information</b>	<b>34</b>
6.1 R3 Modulator	34
6.2 ISL95338 Bidirectional Buck-Boost Voltage Regulator	36
6.3 Soft-Start	37
6.4 Programming Options	37
6.5 DE Operation	38

---

6.6	Forward Mode . . . . .	39
6.7	Reverse Mode for USB OTG (On-the-Go). . . . .	39
6.8	Fast REF . . . . .	39
6.9	Fast Swap . . . . .	39
6.10	Way Overcurrent Protection (WOCP) . . . . .	40
6.11	ADP Input Overvoltage Protection . . . . .	40
6.12	System Output Overvoltage Protection . . . . .	40
6.13	System Output Undervoltage Protection . . . . .	40
6.14	ADP Output Overvoltage Protection . . . . .	40
6.15	ADP Output Undervoltage Protection . . . . .	40
6.16	Over-Temperature Protection . . . . .	40
6.17	Switching Power MOSFET Gate Capacitance. . . . .	41
6.18	ADP Side Input Filter . . . . .	41
<b>7.</b>	<b>General Application Information . . . . .</b>	<b>42</b>
7.1	Select the LC Output Filter . . . . .	42
7.2	Select the Input Capacitor . . . . .	43
7.3	Select the Switching Power MOSFET . . . . .	44
7.4	Select the Bootstrap Capacitor . . . . .	44
7.5	Select the Resistor Divider for VOUTS and ADPS . . . . .	45
<b>8.</b>	<b>Revision History . . . . .</b>	<b>46</b>
<b>9.</b>	<b>Package Outline Drawing . . . . .</b>	<b>47</b>
<b>10.</b>	<b>About Intersil . . . . .</b>	<b>48</b>

# 1. Overview

## 1.1 Block Diagram

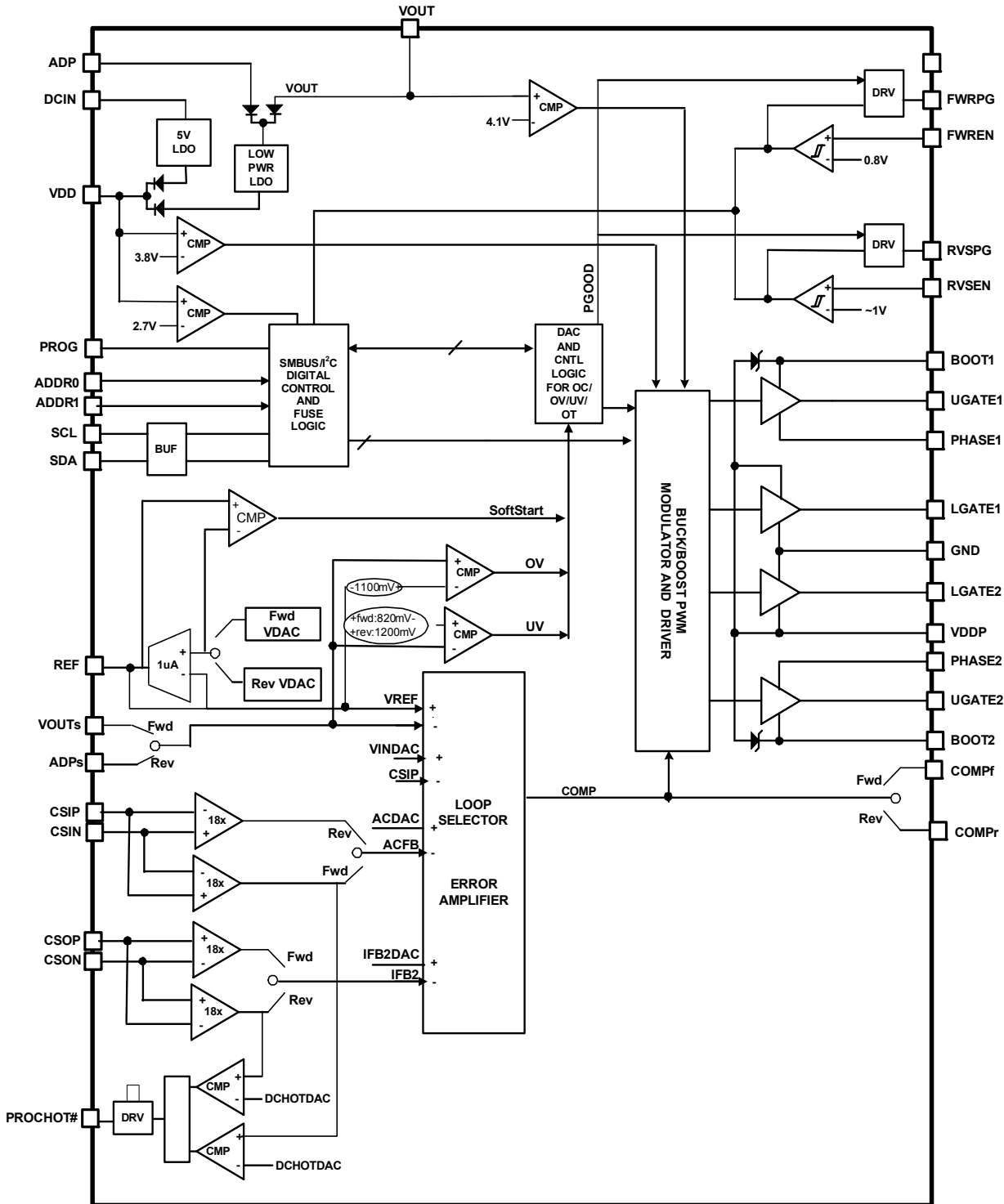


Figure 2. Block Diagram

## 1.2 Simplified Application Circuit

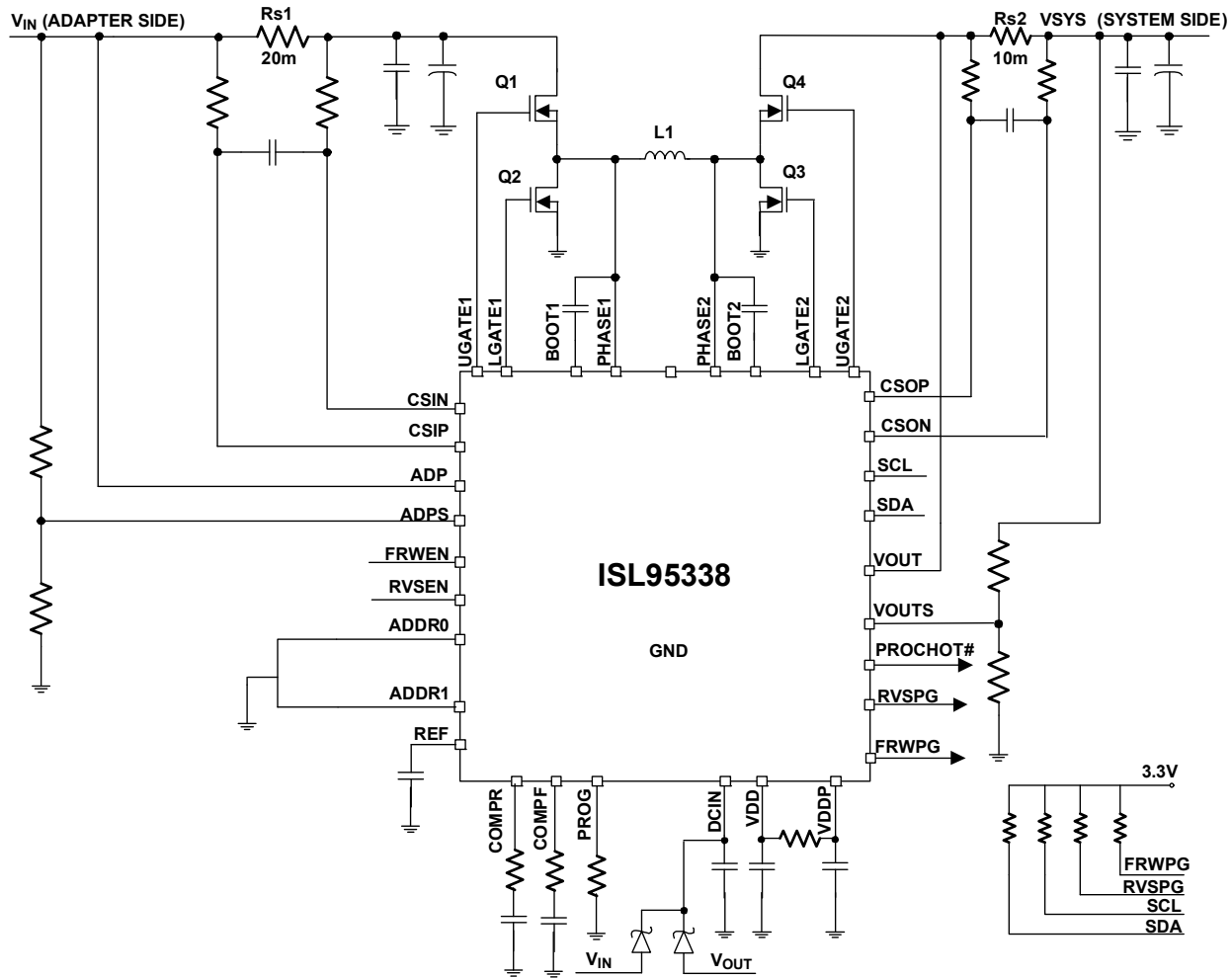


Figure 3. Simplified Application Diagram

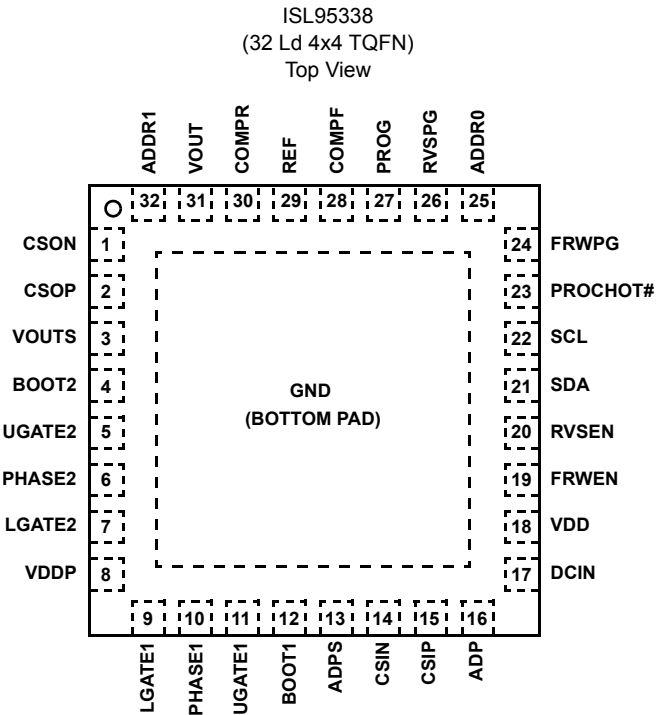
## 1.3 Ordering Information

Part Number (Notes 3, 4)	Part Marking	Temp. Range (°C)	Package (RoHS Compliant)	Pkg. Dwg. #
ISL95338HRTZ (Note 1)	95338H	-10 to +100	32 Ld 4x4 TQFN	L32.4x4A
ISL95338IRTZ (Note 2)	95338I	-40 to +100	32 Ld 4x4 TQFN	L32.4x4A
ISL95338EVAL1Z	Evaluation board			

Notes:

1. Add "-T7A" suffix for 250 unit, "-TK" suffix for 1k unit, or "-T" suffix for 6k unit tape and reel options. Refer to [TB347](#) for details on reel specifications.
2. Add "-TK" suffix for 1k unit or "-T" suffix for 6k unit tape and reel options. Refer to [TB347](#) for details on reel specifications.
3. These Pb-free plastic packaged products employ special Pb-free material sets, molding compounds/die attach materials, and 100% matte tin plate plus anneal (e3 termination finish, which is RoHS compliant and compatible with both SnPb and Pb-free soldering operations). Pb-free products are MSL classified at Pb-free peak reflow temperatures that meet or exceed the Pb-free requirements of IPC/JEDEC J STD-020.
4. For Moisture Sensitivity Level (MSL), see the product information page for [ISL95338](#). For more information on MSL, refer to [TB363](#).

## 1.4 Pin Configuration



## 1.5 Pin Descriptions

Pin Number	Pin Name	Description
BOTTOM PAD	GND	Signal common of the IC. Unless otherwise stated, signals are referenced to the GND pin. It should also be used as the thermal pad for heat dissipation.
1	CSON	Forward $V_{OUT}$ current sense “-” input. Connect to $V_{OUT}$ current resistor negative input. Place a $0.1\mu\text{F}$ ceramic capacitor between CSOP and CSON to provide differential mode filtering.
2	CSOP	Forward $V_{OUT}$ current sense “+” input. Connect to $V_{OUT}$ current resistor positive input. Place a $0.1\mu\text{F}$ ceramic capacitor between CSOP and CSON to provide differential mode filtering.
3	VOUTS	Forward $V_{SYS}$ feedback voltage. Use a resistor divider externally to configure forward $V_{SYS}$ voltage.
4	BOOT2	High-side MOSFET Q4 gate driver supply. Connect an MLCC capacitor across the BOOT2 pin and the PHASE2 pin. The boot capacitor is charged through an internal boot diode connected from the VDDP pin to the BOOT2 pin when the PHASE2 pin drops below VDDP minus the voltage drop across the internal boot diode.
5	UGATE2	High-side MOSFET Q4 gate drive.
6	PHASE2	Current return path for the high side MOSFET Q4 gate drive. Connect this pin to the node consisting of the high-side MOSFET Q4 source, the low-side MOSFET Q3 drain, and the one terminal of the inductor.
7	LGATE2	Low-side MOSFET Q3 gate drive.
8	VDDP	Power supply for the gate drivers. Connect to VDD pin through a $4.7\Omega$ resistor and connect a $1\mu\text{F}$ ceramic capacitor to GND.
9	LGATE1	Low-side MOSFET Q2 gate drive.
10	PHASE1	Current return path for the high side MOSFET Q1 gate drive. Connect this pin to the node consisting of the high-side MOSFET Q1 source, the low-side MOSFET Q2 drain, and the input terminal of the inductor.
11	UGATE1	High-side MOSFET Q1 gate drive.

Pin Number	Pin Name	Description
12	BOOT1	High-side MOSFET Q1 gate driver supply. Connect an MLCC capacitor across the BOOT1 pin and the PHASE1 pin. The boot capacitor is charged through an internal boot diode connected from the VDDP pin to the BOOT1 pin when the PHASE1 pin drops below VDDP minus the voltage drop across the internal boot diode.
13	ADPS	Reverse output voltage feedback. Use a resistor divider externally to configure the reverse output voltage.
14	CSIN	ADP current sense “-” input.
15	CSIP	ADP current sense “+” input. The modulator also uses this for sensing input voltage in Forward mode and output voltage in Reverse mode.
16	ADP	Used to sense ADP voltage. When ADP voltage is higher than 4.1V, Forward mode can be enabled. The ADP pin is also one of the two internal low power LDO inputs.
17	DCIN	Input of an internal LDO providing power to the IC. Connect a diode OR from ADP and system outputs. Bypass this pin with an MLCC capacitor.
18	VDD	Output of the internal LDO; provide the bias power for the internal analog and digital circuit. Connect a 1 $\mu$ F ceramic capacitor to GND. If VDD is pulled below 2.7V, the ISL95338 will reset all the SMBus register values to the default.
19	FRWEN	Forward mode enable, analog signal input. Forward mode is valid if the FRWEN pin voltage is greater than 0.8V.
20	RVSEN	Reverse mode enable, digital signal input. Reverse mode is valid if the signal is “1” (logic high), otherwise, Reverse mode is disabled.
21	SDA	SMBus data I/O. Connect to the data line from the host controller. Connect a 10k pull-up resistor according to the SMBus specification.
22	SCL	SMBus clock I/O. Connect to the clock line from the host controller. Connect a 10k pull-up resistor according to the SMBus specification.
23	PROCHOT#	Open-drain output. Pulled low when input current is detected as hot in Forward and Reverse mode. SMBus command to pull low (refer to <a href="#">Table 8 on page 25</a> and <a href="#">Table 10 on page 26</a> for Control 2 Register 0x3DH and Control4 Register 0x4EH).
24	FRWPG	Open-drain output. Indicator output to indicate the forward modulator is enabled.
25	ADDR0	Address setting pin for the IC. The IC address is set by ADDR0 and ADDR1 logic voltage levels.
26	RVSPG	Open-drain output. Indicator output to indicate the reverse modulator is enabled.
27	PROG	A resistor from PROG pin to GND sets the default forward system output voltage.
28	COMPF	Forward mode error amplifier output. Connect a compensation network externally from COMPF to GND.
29	REF	Output voltage soft-start reference. A ceramic capacitor from REF to GND is set to the desired soft-start time. In Forward mode, forward output voltage (VO <sub>UTS</sub> ) reference soft-start time is set. In Reverse mode, reverse output voltage (ADPS) reference soft-start time is set.
30	COMPR	Reverse mode error amplifier output. Connect a compensation network externally from COMPR to GND.
31	VO <sub>UT</sub>	Forward V <sub>OUT</sub> sense voltage for modulator and PHASE 2 zero-current comparator.
32	ADDR1	Address setting pin for the IC. The IC address is set by ADDR0 and ADDR1 logic voltage levels.



## 2. Specifications

### 2.1 Absolute Maximum Ratings

Parameter	Minimum	Maximum	Unit
CSIP, CSIN, DCIN, ADPS, ADP	-0.3	+30	V
CSIP	0.3	ADP + 2	V
PHASE1	GND - 0.3	+30	V
PHASE1	GND - 2 (<20ns)	+30	V
UGATE1	PHASE1 - 0.3	BOOT1 + 0.3	V
PHASE2	GND - 0.3	+30	V
PHASE2	GND - 2 (<20ns)	+30	V
UGATE2	PHASE2 - 0.3	BOOT2 + 0.3	V
LGATE1, LGATE2	GND - 0.3	VDDP + 0.3	V
LGATE1, LGATE2	GND - 2 (<20ns)	VDDP + 0.3	V
VOUT, VOUTS, CSOP, CSON	-0.3	+27	V
VDD, VDDP	-0.3V	+6.5	V
BOOT1, BOOT2	- 0.3	VDDP + 27	V
BOOT1	(PHASE1 - 0.3)	PHASE1 + 6.5	V
BOOT2	(PHASE2 - 0.3)	PHASE2 + 6.5	V
COMPR, COMPF, REF, PROG	-0.3	+6.5	V
RVSEN, FRWEN, ADDR0, ADDR1	-0.3	+6.5	V
FRWPG, PROCHOT#, RVSPG	-0.3	+6.5	V
SCL, SDA	-0.3	+6.5	V
BOOT1-PHASE1, BOOT2-PHASE2	-0.3	+0.3	V
CSIP-CSIN, CSOP-CSON		2	mA
<b>ESD Rating</b>		<b>Rating</b>	<b>Unit</b>
Human Body Model (Tested per JS-001-2014)		2	kV
Machine Model (Tested per JESD22-A115C)		200	V
Charged Device Model (Tested per JS-002-2014)		1	kV
Latch-Up (Tested per JESD78E)		100	mA

CAUTION: Do not operate at or near the maximum ratings listed for extended periods of time. Exposure to such conditions may adversely impact product reliability and result in failures not covered by warranty.

## 2.2 Thermal Information

Thermal Resistance (Typical)	$\theta_{JA}$ (°C/W)	$\theta_{JC}$ (°C/W)
32 Ld TQFN Package (Notes 5, 6)	37	2

Notes:

- $\theta_{JA}$  is measured in free air with the component mounted on a high-effective thermal conductivity test board with “direct attach” features. See [TB379](#).
- For  $\theta_{JC}$ , the “case temp” location is the center of the ceramic on the package underside.

Parameter	Minimum	Maximum	Unit
Junction Temperature Range ( $T_J$ )	-10	+125	°C
Storage Temperature Range ( $T_S$ )	-65	+150	°C
Pb-Free Reflow Profile	Refer to <a href="#">TB493</a>		

## 2.3 Recommended Operation Conditions

Parameter	Minimum	Maximum	Unit
Ambient Temperature - HRTZ	-10	+100	°C
Ambient Temperature - IRTZ	-40	+100	°C
ADP Input Voltage	+4	+24	V
$V_{OUT}$ Input Voltage	+4	+20	V

## 2.4 Electrical Specifications

Operating conditions: ADP = CSIP = CSIN = 4V and 23V,  $V_{OUTS} = V_{OUT} = CSOP = CSON = 8V$ , unless otherwise noted. **Boldface limits apply across the junction temperature range, -10°C to +125°C unless otherwise specified.**

Parameter	Symbol	Test Conditions	Min (Note 7)	Typ	Max (Note 7)	Unit
<b>UVLO/ACOK</b>						
VADP UVLO Rising	VADP_UVLO_r		<b>3.9</b>	4.2	<b>4.55</b>	V
VADP UVLO Hysteresis	VADP_UVLO_h			530		mV
$V_{OUT}$ UVLO Rising	VOUT_UVLO_r		<b>3.9</b>	4.2	<b>4.55</b>	V
$V_{OUT}$ UVLO Hysteresis	VOUT_UVLO_h			300		mV
VDDA 2P7 Rising, SMBus Active (Note 8)	VDD_2P7_r		<b>2.5</b>	2.7	<b>2.9</b>	V
VDDA 2P7 POR Hysteresis (Note 8)	VDD_2P7_h			150		mV
VDDA 3P8 POR Rising, Modulator, and Gate Driver Active	VDD_3P8_r		<b>3.6</b>	3.8	<b>3.9</b>	V
VDD 3P8 Hysteresis	VDD_3P8_h			150		mV
FRWEN Rising	FRWEN_r		<b>0.775</b>	0.8	<b>0.825</b>	V
FRWEN Hysteresis	FRWEN_h			50		mV
<b>Bias Current</b>						
Forward Supply Current, Disable State		ADP, ADPS CSIN, CSIP, VDDP, DCIN = 5V, FWREN = Low		130	<b>200</b>	μA
Reverse Supply Current, Disable State		$V_{OUT}$ , $V_{OUTS}$ CSON, CSOP, VDDP, DCIN = 5V, RVSEN = Low		70	<b>150</b>	μA
Forward Supply Current, Enable State		ADP, ADPS CSIN, CSIP, DCIN = 20V, FWREN = High		3000	<b>3300</b>	μA

Operating conditions: ADP = CSIP = CSIN = 4V and 23V, VOUTS = VOUT = CSOP = CSON = 8V, unless otherwise noted. **Boldface limits apply across the junction temperature range, -10°C to +125°C unless otherwise specified. (Continued)**

Parameter	Symbol	Test Conditions	Min (Note 7)	Typ	Max (Note 7)	Unit
Reverse Supply Current, Enable State		VOUT, VOUTS CSON, CSOP, DCIN = 20V, RVSEN = High		3000	<b>3300</b>	μA
Forward Supply Current, Enable State		DCIN only (does not include gate driver current)		1600	<b>2000</b>	μA
Reverse Supply Current, Enable State		DCIN only (does not include gate driver current)		1600	<b>2000</b>	μA
<b>Linear Regulator</b>						
VDDA Output Voltage	VDD	6V < V <sub>ADP</sub> < 23V, no load	<b>4.5</b>	5.1	<b>5.5</b>	V
VDDA Dropout Voltage	VDD_dp	30mA, V <sub>DCIN</sub> = 4V		100		mV
VDD Overcurrent Threshold	VDD_OC		<b>90</b>	135	<b>165</b>	mA
<b>ADP Current Regulation, R<sub>ADP</sub> = 20mΩ</b>						
Input Current Accuracy		CSIP - CSIN  = 80mV		4		A
			<b>-3</b>		<b>+3</b>	%
		CSIP - CSIN  = 40mV		2		A
			<b>-4</b>		<b>+4</b>	%
CSIP - CSIN  = 10mV		0.5		A		
	<b>-10</b>		<b>+10</b>	%		
ADP Current PROCHOT# Threshold R <sub>s1</sub> = 20mΩ	I <sub>ADP_HOT_TH10</sub>	ACProchot = 0x0A80H (2688mA)		2688		mA
			<b>-3.0</b>		<b>+3.0</b>	%
		ACProchot = 0x0400H (1024mA)		1024		mA
			<b>-6.0</b>		<b>+6.0</b>	%
<b>Voltage Regulation</b>						
Output Voltage Accuracy Forward	HRTZ	Measured at VOUTS, 8V and up	<b>-1</b>		<b>+1</b>	%
Output Voltage Accuracy Forward	HRTZ	Measured at VOUTS, 4V to 8V	<b>-1.5</b>		<b>+1.5</b>	%
Output Voltage Accuracy Reverse	HRTZ	Measured at ADPS, 8V and up	<b>-1</b>		<b>+1</b>	%
Output Voltage Accuracy Reverse	HRTZ	Measured at ADPS, 4V to 8V	<b>-1.5</b>		<b>+1.5</b>	%
Output Voltage Accuracy Forward	IRTZ	Measured at VOUTS, 8V and up	<b>-2</b>		<b>+2</b>	%
Output Voltage Accuracy Forward	IRTZ	Measured at VOUTS, 4V to 8V	<b>-1.5</b>		<b>+1.5</b>	%
Output Voltage Accuracy Reverse	IRTZ	Measured at ADPS, 8V and up	<b>-2</b>		<b>+2</b>	%
Output Voltage Accuracy Reverse	IRTZ	Measured at ADPS, 4V to 8V	<b>-3</b>		<b>+3</b>	%
Minimum Input Voltage Accuracy		Measured at ADPS	<b>-3</b>		<b>+3</b>	V
<b>V<sub>OUT</sub> Current Regulation, R<sub>s2</sub> = 10mΩ</b>						
V <sub>OUT</sub> Current Accuracy		CSOP - CSON  = 60mV		6		A
			<b>-3</b>		<b>+3</b>	%
		CSOP - CSON  = 20mV		2		A
			<b>-5</b>		<b>+5</b>	%
		CSOP - CSON  = 10mV		1		A
			<b>-10</b>		<b>+10</b>	%
CSOP - CSON  = 5mV		0.5		A		
	<b>-20</b>		<b>+20</b>	%		
<b>ADP Current-Sense Amplifier, R<sub>ADP</sub> = 20mΩ</b>						
CSIP/CSIN Input Voltage Range	V <sub>CSIP/N</sub>		<b>0</b>		<b>27</b>	V

Operating conditions: ADP = CSIP = CSIN = 4V and 23V, VOUTS = VOUT = CSOP = CSON = 8V, unless otherwise noted. **Boldface limits apply across the junction temperature range, -10°C to +125°C unless otherwise specified. (Continued)**

Parameter	Symbol	Test Conditions	Min ( <a href="#">Note 7</a> )	Typ	Max ( <a href="#">Note 7</a> )	Unit
<b>V<sub>OUT</sub> Current-Sense Amplifier, R<sub>BAT</sub> = 10mΩ</b>						
System Side Current PROCHOT# Threshold, R <sub>S2</sub> = 10mΩ	I <sub>SYS_HOT</sub>	SystemSideProchot = 0x1000H (4096mA)		4096		mA
			<b>-5</b>		<b>+5</b>	%
<b>RVSEN</b>						
High-Level Input Voltage			<b>0.9</b>			V
Low-Level Input Voltage					<b>0.35</b>	V
Input Leakage Current		V <sub>RVSEN</sub> = 3.3V, 5V			<b>1</b>	μA
<b>PROCHOT#, RVSPG, FWRPG</b>						
Output Sinking Current		Pin at 0.4V		37		mA
Leakage Current					<b>1</b>	μA
<b>PROCHOT#</b>						
PROCHOT# Debounce Time ( <a href="#">Note 8</a> )		PROCHOT# Debounce register	<b>-15</b>		<b>15</b>	%
PROCHOT# Duration Time ( <a href="#">Note 8</a> )		PROCHOT# Duration register	<b>-15</b>		<b>15</b>	%
<b>Protection</b>						
ADP Overvoltage Rising Hysteresis		Forward mode	<b>25.5</b>	26.4	<b>27</b>	V
ADP Overvoltage Hysteresis				0.35		V
VOUTS Overvoltage Rising Threshold		Forward mode VOUTS-12xREF	<b>0.85</b>	1.1	<b>1.45</b>	V
VOUTS Overvoltage Hysteresis				0.55		V
ADPS Overvoltage Rising Threshold		Reverse mode ADPS-12xREF	<b>0.9</b>	1.2	<b>1.5</b>	V
ADPS Overvoltage Hysteresis				0.6		V
VOUTS Undervoltage Falling Threshold		Forward mode VOUTS-12xREF	<b>-1.15</b>	-0.85	<b>-0.55</b>	V
VOUTS Undervoltage Hysteresis				0.6		V
ADPS Undervoltage Falling Threshold		Reverse mode ADPS-12xREF	<b>-1.55</b>	-1.2	<b>-0.85</b>	V
ADPS Undervoltage Hysteresis				0.4		V
Over-Temperature Threshold ( <a href="#">Note 8</a> )			<b>140</b>	150	<b>160</b>	°C
<b>Oscillator</b>						
Oscillator Frequency, Digital Core Only			<b>0.85</b>	1	<b>1.15</b>	MHz
Digital Debounce Time Accuracy		PV Debounce and UV Debounce for FWRPG and RVSPG delay	<b>-15</b>		<b>15</b>	%
<b>Miscellaneous</b>						
Switching Frequency Accuracy		All programmed f <sub>SW</sub> settings, CCM, and no period stretching	<b>-15</b>		<b>15</b>	%
ADP Discharge Current		ADP = 5V		6.5		mA
V <sub>OUT</sub> Discharge Current		V <sub>OUT</sub> = 5V		8.5		mA
REF Pin Sink/Source Current		Control1 <3> = 0		0.7		μA
REF Pin Fast Sink Current		Control1 <3> = 1		0.7		μA
REF Pin Fast Source Current		Control1 <3> = 1		14		μA

Operating conditions: ADP = CSIP = CSIN = 4V and 23V, VOUTS = VOUT = CSOP = CSON = 8V, unless otherwise noted. **Boldface limits apply across the junction temperature range, -10°C to +125°C unless otherwise specified. (Continued)**

Parameter	Symbol	Test Conditions	Min ( <a href="#">Note 7</a> )	Typ	Max ( <a href="#">Note 7</a> )	Unit
<b>SMBus</b>						
SDA/SCL Input Low Voltage		3.3V			<b>0.8</b>	V
SDA/SCL Input High Voltage		3.3V	<b>2</b>			V
SDA/SCL Input Bias Current		3.3V			<b>1</b>	μA
SDA, Output Sink Current ( <a href="#">Note 8</a> )		SDA = 0.4V	<b>4</b>			mA
SMBus Frequency	f <sub>SMB</sub>		<b>10</b>		<b>400</b>	kHz
<b>Gate Driver</b>						
UGATE1 Pull-Up Resistance	UG1 <sub>RPU</sub>	100mA source current		800	<b>1200</b>	mΩ
UGATE1 Source Current	UG1 <sub>SRC</sub>	UGATE1 - PHASE1 = 2.5V	<b>1.3</b>	2		A
UGATE1 Pull-Down Resistance	UG1 <sub>RPD</sub>	100mA sink current		350	<b>475</b>	mΩ
UGATE1 Sink Current	UG1 <sub>SNK</sub>	UGATE1 - PHASE1 = 2.5V	<b>1.9</b>	2.8		A
LGATE1 Pull-Up Resistance	LG1 <sub>RPU</sub>	100mA source current		800	<b>1200</b>	mΩ
LGATE1 Source Current	LG1 <sub>SRC</sub>	LGATE1 - GND = 2.5V	<b>1.3</b>	2		A
LGATE1 Pull-Down Resistance	LG1 <sub>RPD</sub>	100mA sink current		300	<b>450</b>	mΩ
LGATE1 Sink Current	LG1 <sub>SNK</sub>	LGATE1 - GND = 2.5V	<b>2.3</b>	3.5		A
LGATE2 Pull-Up Resistance	LG2 <sub>RPU</sub>	100mA source current		800	<b>1200</b>	mΩ
LGATE2 Source Current	LG2 <sub>SRC</sub>	LGATE2 - GND = 2.5V	<b>1.3</b>	2		A
LGATE2 Pull-Down Resistance	LG2 <sub>RPD</sub>	100mA sink current		300	<b>450</b>	mΩ
LGATE2 Sink Current	LG2 <sub>SNK</sub>	LGATE2 - GND = 2.5V	<b>2.3</b>	3.5		A
UGATE2 Pull-Up Resistance	UG2 <sub>RPU</sub>	100mA source current		800	<b>1200</b>	mΩ
UGATE2 Source Current	UG2 <sub>SRC</sub>	UGATE2 - PHASE2 = 2.5V	<b>1.3</b>	2		A
UGATE2 Pull-Down Resistance	UG2 <sub>RPD</sub>	100mA sink current		300	<b>450</b>	mΩ
UGATE2 Sink Current	UG2 <sub>SNK</sub>	UGATE2 - PHASE2 = 2.5V	<b>2.3</b>	3.5		A
UGATE1 to LGATE1 Dead Time	t <sub>UG1LG1DEAD</sub>		<b>10</b>	20	<b>40</b>	ns
LGATE1 to UGATE1 Dead Time	t <sub>LG1UG1DEAD</sub>		<b>10</b>	20	<b>40</b>	ns
LGATE2 to UGATE2 Dead Time	t <sub>LG2UG2DEAD</sub>		<b>10</b>	20	<b>40</b>	ns
UGATE2 to LGATE2 Dead Time	t <sub>UG2LG2DEAD</sub>		<b>10</b>	20	<b>40</b>	ns

## 2.5 SMBus Timing Specification

Parameters	Symbol	Test Conditions	Min (Note 7)	Typ	Max (Note 7)	Unit
SMBus Frequency	$F_{SMB}$		10		400	kHz
Bus-Free Time	$t_{BUF}$		4.7			$\mu s$
Start Condition Hold Time from SCL	$t_{HD:STA}$		4			$\mu s$
Start Condition Set-Up Time from SCL	$t_{SU:STA}$		4.7			$\mu s$
Stop Condition Set-Up Time from SCL	$t_{SU:STO}$		4			$\mu s$
SDA Hold Time from SCL	$t_{HD:DAT}$		300			ns
SDA Set-Up Time from SCL	$t_{SU:DAT}$		250			ns
SCL Low Period	$t_{LOW}$		4.7			$\mu s$
SCL High Period	$t_{HIGH}$		4			$\mu s$
SMBus Inactivity Timeout		Maximum charging period without an SMBus Write to MaxSystemVoltage or ADPCurrent register		175		s

Notes:

- Parameters with MIN and/or MAX limits are 100% tested at +25°C, unless otherwise specified. Temperature limits established by characterization and are not production tested.
- Compliance to datasheet limits is assured by one or more methods: production test, characterization, and/or design.

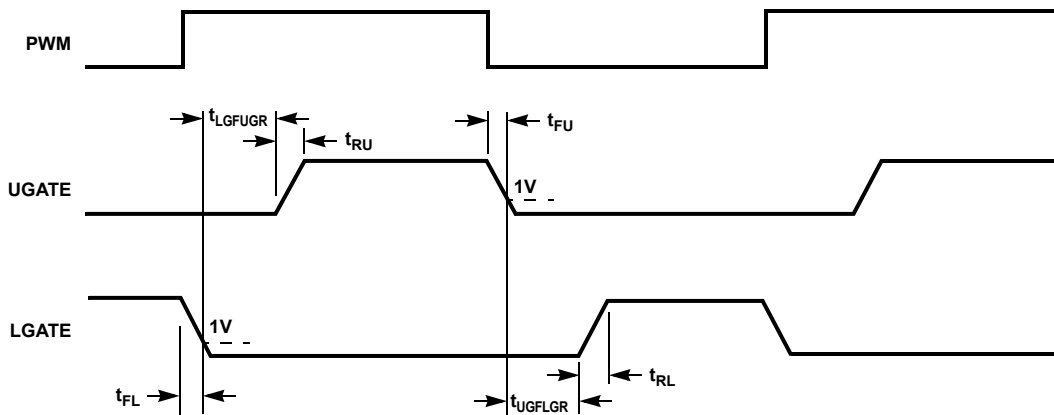


Figure 4. Gate Driver Timing Diagram

### 3. Typical Performance Curves

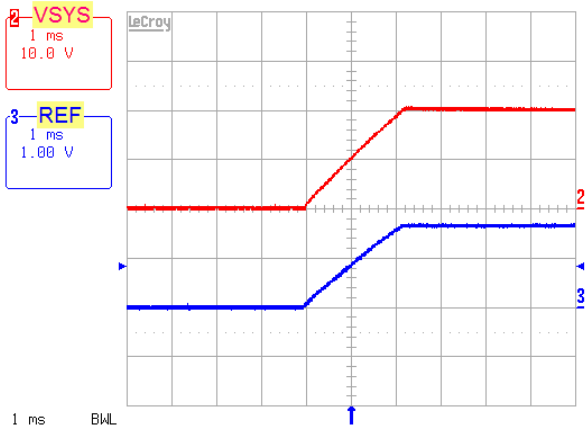


Figure 5. Forward Mode Soft-Start, 12V<sub>ADP</sub>, 20V<sub>SYS</sub>

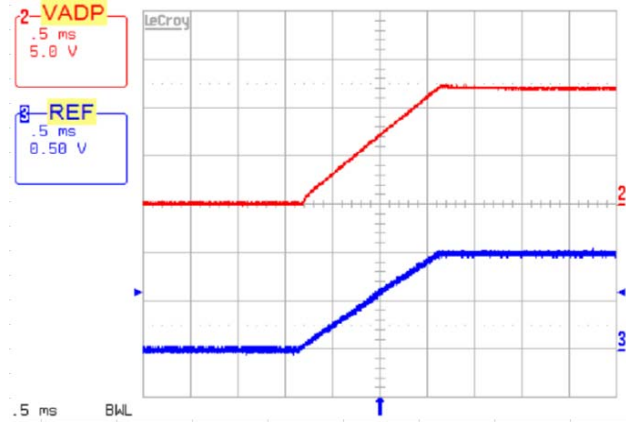


Figure 6. Reverse Mode, Soft-Start, 12V<sub>ADP</sub>, 5V<sub>SYS</sub>

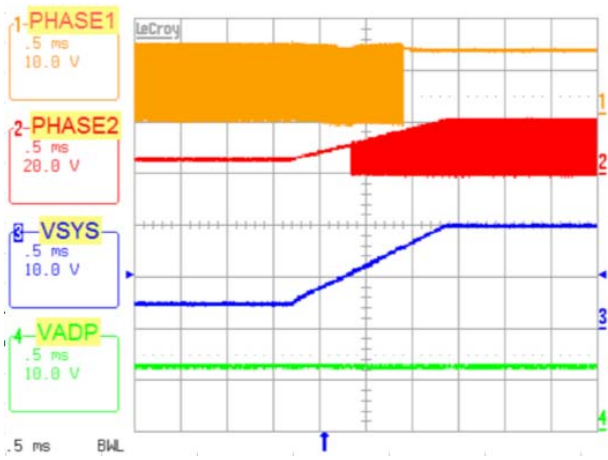


Figure 7. V<sub>SYS</sub> Voltage Ramps Up in Forward Mode, Buck -> Buck-Boost -> Boost Operation Mode Transition

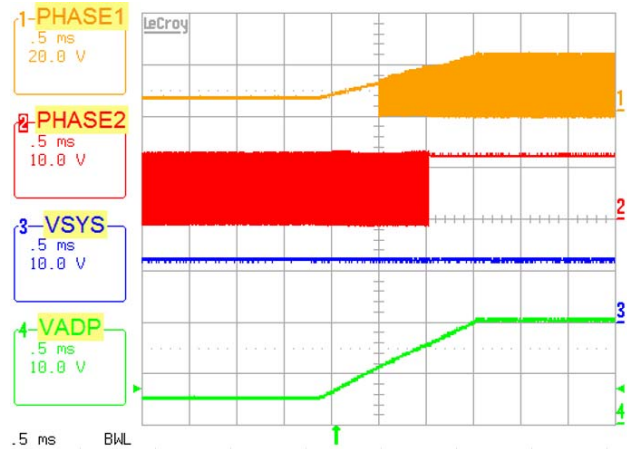


Figure 8. ADP Voltage Ramps Up in Reverse Mode, Buck -> Buck-Boost -> Boost Operation Mode Transition

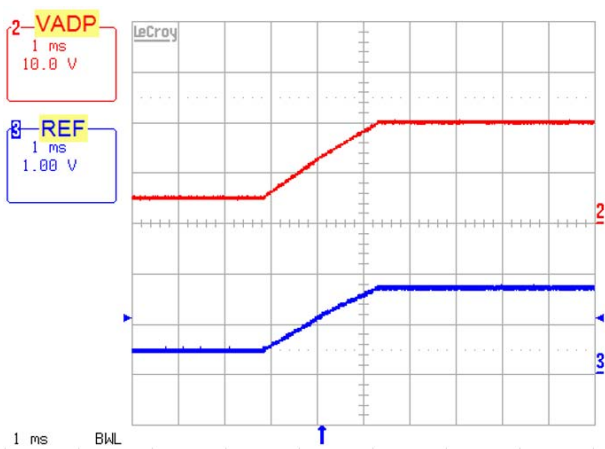


Figure 9. Reverse Mode, 5V<sub>ADP</sub> to 20V<sub>ADP</sub>

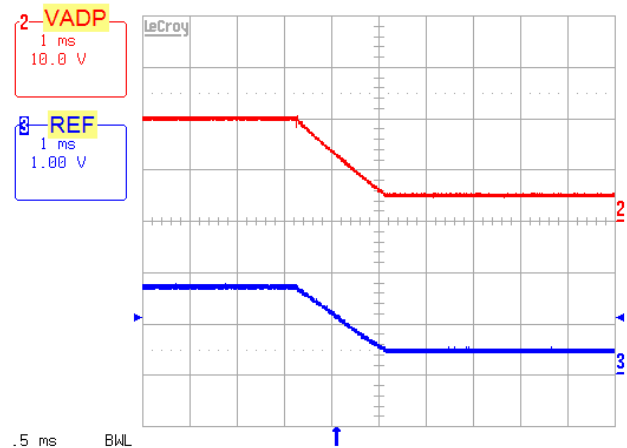


Figure 10. Reverse Mode, 20V<sub>ADP</sub> to 5V<sub>ADP</sub>

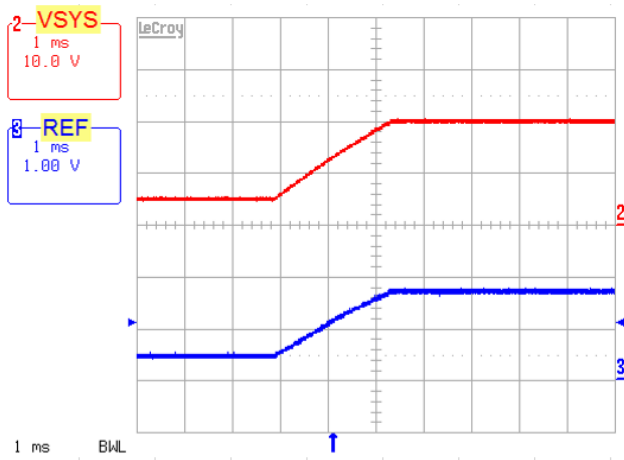


Figure 11. Forward Mode, 5V<sub>SYS</sub> to 20V<sub>SYS</sub>

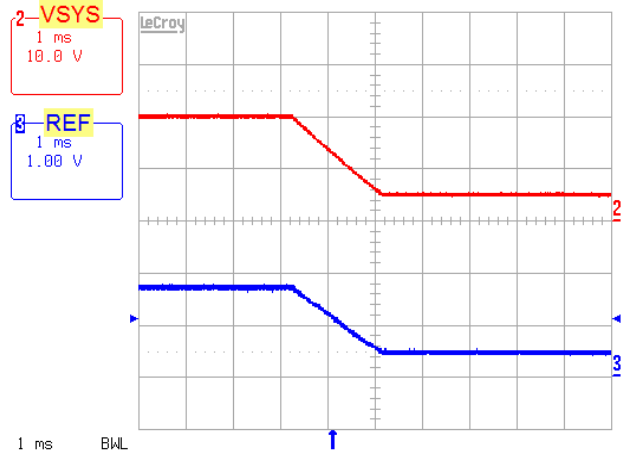


Figure 12. Forward Mode, 20V<sub>SYS</sub> to 5V<sub>SYS</sub>

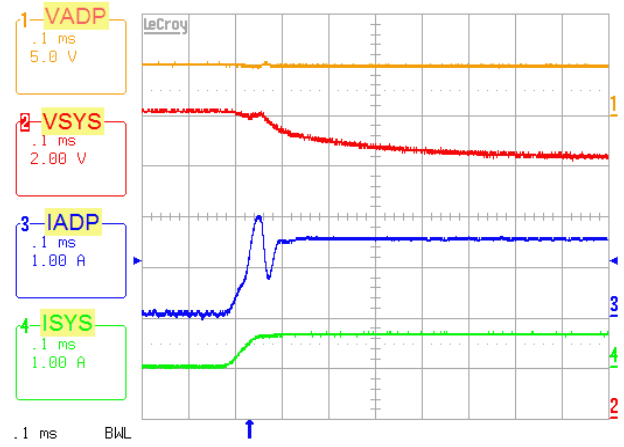


Figure 13. Forward Mode, Output Voltage Loop to ADP Current Loop Transition. 5V<sub>ADP</sub>, 12V<sub>SYS</sub>, System Load 0A to 0.65A Step, ADP Current Limit = 1.5A

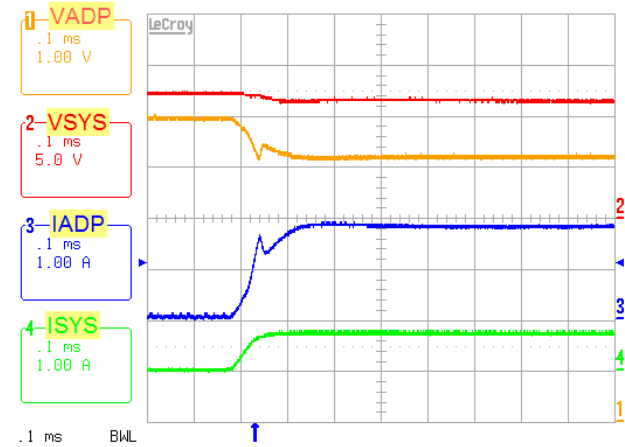


Figure 14. Forward Mode, Output Voltage Loop to Adapter Voltage Loop Transition. 6V<sub>ADP</sub>, Input Voltage Limit = 5.12V, 12V<sub>SYS</sub>, System Load 0A to 0.78A Step, System Current Limit = 5A, Input Current Limit=5A

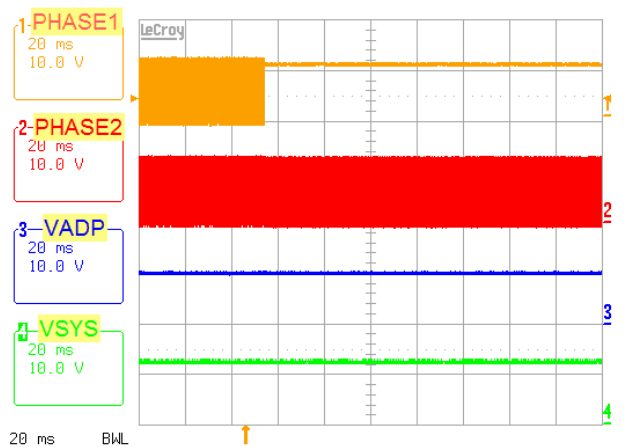


Figure 15. Forward Mode, Force Buck-Boost Mode to Boost Mode. 10V<sub>ADP</sub>, 12V<sub>SYS</sub>

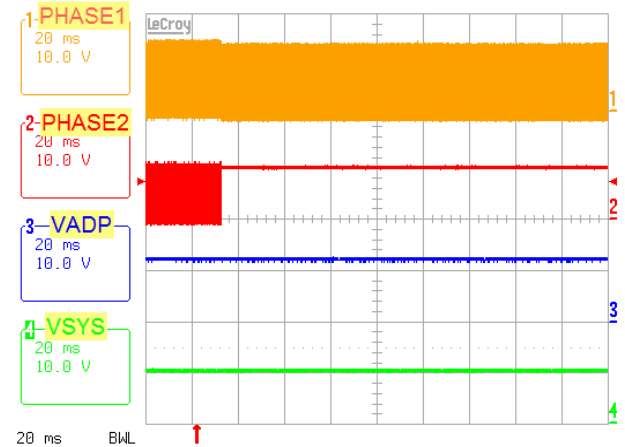


Figure 16. Reverse Mode, Force Buck-Boost Mode to Boost Mode. 12V<sub>ADP</sub>, 10V<sub>SYS</sub>



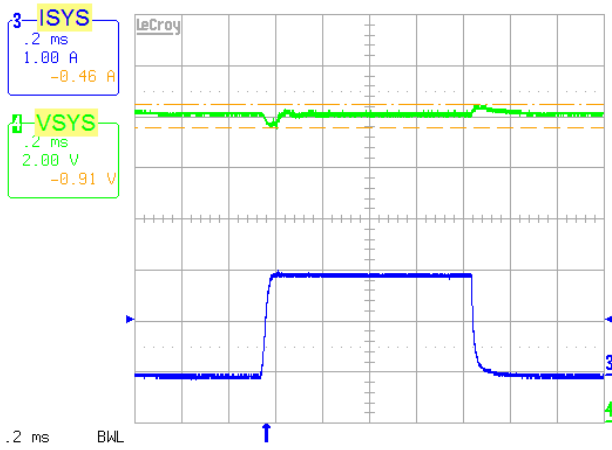


Figure 17. Forward Mode, 5V<sub>ADP</sub>, 12V<sub>SYS</sub>, 0-2A Transient Load

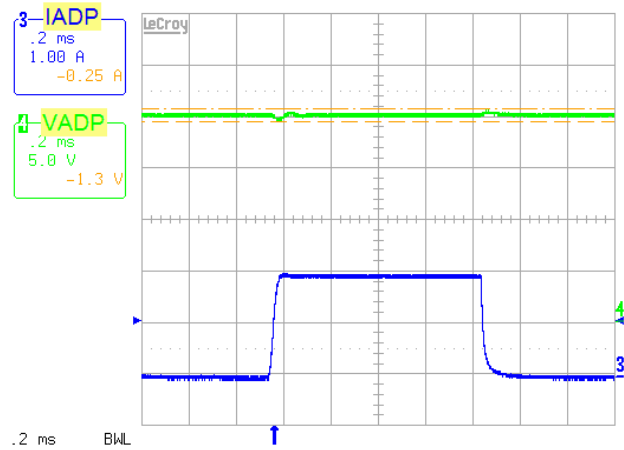


Figure 18. Reverse Mode, 20V<sub>ADP</sub>, 12V<sub>SYS</sub>, 0-2A Transient Load

## 4. General SMBus Architecture

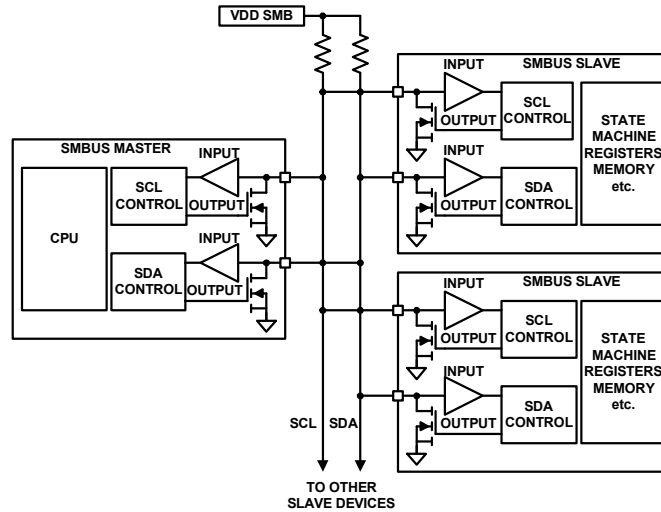


Figure 19. General SMBus Architecture

### 4.1 Data Validity

The data on the SDA line must be stable during the HIGH period of the SCL, unless generating a START or STOP condition. The HIGH or LOW state of the data line can only change when the clock signal on the SCL line is LOW. Refer to [Figure 20](#).

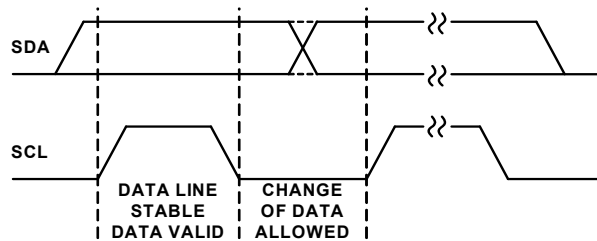


Figure 20. Data Validity

### 4.2 START and STOP Conditions

As [Figure 21](#) shows, the START condition is a HIGH to LOW transition of the SDA line while SCL is HIGH.

The STOP condition is a LOW to HIGH transition on the SDA line while SCL is HIGH. A STOP condition must be sent before each START condition.

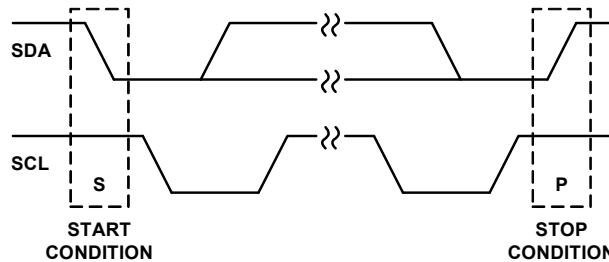


Figure 21. Start and Stop Waveforms

### 4.3 Acknowledge

Each address and data transmission uses nine clock pulses. The ninth pulse is the acknowledge bit (ACK). After the start condition, the master sends seven slave address bits and an R/W bit during the next eight clock pulses. During the ninth clock pulse, the device that recognizes its own address holds the data line low to acknowledge (refer to [Figure 22](#)). The acknowledge bit is also used by both the master and the slave to acknowledge receipt of register addresses and data.

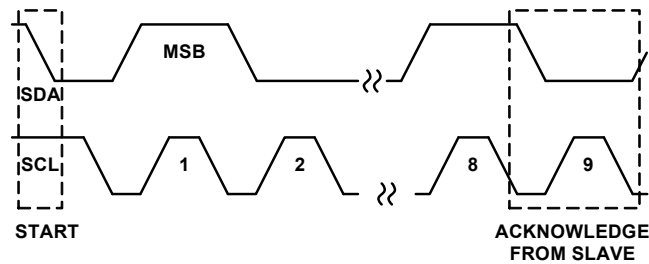


Figure 22. Acknowledge on the SMBus

### 4.4 SMBus Transactions

All transactions start with a control byte sent from the SMBus master device. The control byte begins with a START condition, followed by seven bits of slave address (refer to [Table 1 on page 20](#)), and the R/W bit. The R/W bit is “0” for a WRITE or “1” for a READ. If any slave device on the SMBus bus recognizes its address, it will acknowledge by pulling the Serial Data (SDA) line low for the last clock cycle in the control byte. If no slave exists at that address or it is not ready to communicate, the data line will be “1”, indicating a Not Acknowledge condition.

After the control byte is sent and the ISL95338 acknowledges it, the second byte sent by the master must be a register address byte such as 0x14 for the SystemCurrentLimit register. The register address byte tells the ISL95338 which register the master will write or read. See [Table 2 on page 20](#) for details of the registers. After the ISL95338 receives a register address byte, it will respond with an acknowledge.

### 4.5 Byte Format

Every byte put on the SDA line must be eight bits long and must be followed by an acknowledge bit. Data is transferred with the Most Significant Bit (MSB) first and the Least Significant Bit (LSB) last. The LO BYTE data is transferred before the HI BYTE data. For example, when writing 0x41A0, 0xA0 is written first and 0x41 is written second.

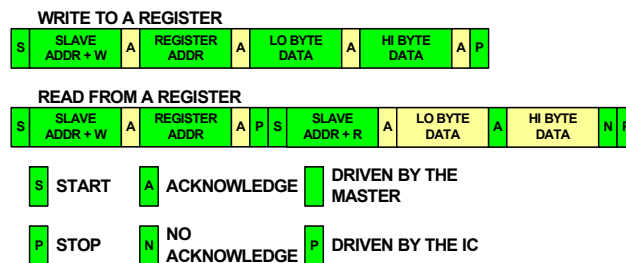


Figure 23. SMBus Read and Write Protocol

### 4.6 SMBus and I<sup>2</sup>C Compatibility

The ISL95338 SMBus minimum input logic high voltage is 2V, so it is compatible with I<sup>2</sup>C with higher than 2V pull-up power supply.

The ISL95338 SMBus registers are 16 bits, so it is compatible with 16 bits I<sup>2</sup>C or 8 bits I<sup>2</sup>C with auto-increment capability. The chip will not acknowledge SMBus communication unless either ADP or VOUT is higher than 4.1V.

## 5. ISL95338 SMBus Commands

The ISL95338 receives control inputs from the SMBus interface after Power-On Reset (POR). The serial interface complies with the System Management Bus Specification, which can be downloaded from [www.smbus.org](http://www.smbus.org). The ISL95338 uses the SMBus Read-word and Write-word protocols (see [Figure 23 on page 19](#)) to communicate with the host system. The ISL95338 is an SMBus slave device and does not initiate communication on the bus. The ISL95338 address is programmable through ADDR0 and ADDR1 voltage levels (see [Table 1](#)) to support multiple ISL95338s sharing a common SMBus. Connect the ADDR0 and ADDR1 pins to either ground or VDD.

Bits 1 and 2 are for ADDR0 and ADDR1 pins, respectively. The “1” means the pin voltage is high, while the “0” means the pin voltage is low. From Bits 3 to 7, the value is fixed as 10010. The address is latched at rising VDD 2P7 POR threshold.

**Table 1. Address Table**

ADDR0	ADDR1	Read/ Write	Binary Address	Hex Address
0	0	1	1001,0001	0X91H
0	0	0	1001,0000	0X90H
0	1	1	1001,0101	0X95H
0	1	0	1001,0100	0X94H
1	0	1	1001,0011	0X93H
1	0	0	1001,0010	0X92H
1	1	1	1001,0111	0X97H
1	1	0	1001,0110	0X96H

The data (SDA) and clock (SCL) pins have Schmitt-trigger inputs that can accommodate slow edges. Choose pull-up resistors for SDA and SCL to achieve rise times according to the SMBus specifications.

The illustration in this datasheet is based on current sensing-resistors  $R_{S1} = 20\text{m}\Omega$  and  $R_{S2} = 10\text{m}\Omega$ , unless otherwise specified.

**Table 2. Register Summary**

Register Names	Register Address	Read/ Write	Number of Bits	Description	Default
SystemCurrentLimit	0X14	R/W	11	[12:2]11-bit, LSB size 4mA, total range 6080mA, with 10mΩ $R_{S1}$	1.5A
ForwardRegulatingVoltage	0X15	R/W	12	[14:3]12-Bit, LSB size 12mV, see PROG <a href="#">Table 21 on page 38</a>	5.004V
					9.000V
					12.000V
					16.008V
20.004V					
Control0	0X39	R/W	16	Configure various options	0x0000h
Information1	0X3A	R	16	Indicate various status	0x0000h
Control1	0X3C	R/W	16	Configure various options	0x0000h
Control2	0X3D	R/W	16	Configure various options	0x0000h
ForwardInputCurrent	0X3F	R/W	11	[12:2]11-bit, LSB size 4mA, total range 6080mA, with 20mΩ $R_{S1}$	Set by PROG pin
ADPInputCurrentProchot#	0X47	R/W	6	[12:7] ADP input current Prochot# threshold. Default 3.072A, 128mA resolution for 20mΩ $R_{S1}$ , only for Forward mode.	3.072A
SystemInputCurrentProchot#	0X48	R/W	6	[13:8] System current towards switcher Prochot# threshold. Default 4.096A, 256mA resolution for 10mΩ $R_{S2}$ .	4.096A

Table 2. Register Summary (Continued)

Register Names	Register Address	Read/Write	Number of Bits	Description	Default
ReverseRegulatingVoltage	0X49	R/W	12	[14:3] 12-bit, LSB size 12mV Reverse mode regulating voltage reference	5.004V
ReverseOutputCurrent	0X4A	R/W	6	[12:7] 6-bit, LSB size 128mA, total range 4.096A Reverse mode maximum current limit	0.512A
InputVoltageLimit	0X4B	R/W	6	[13:8] 6-bit, LSB size 512mV Forward low V <sub>IN</sub> loop voltage reference	4.096V
Control3	0X4C	R/W	16	Configure various options	0x0000h
Information2	0X4D	R	16	Indicate various status	0x0000h
Control4	0X4E	R/W	8	[7:0] 8-bit, configure various options	0x00h
ManufacturerID	0XFE	R	8	Manufacturers ID register	0x49h
DeviceID	0XFF	R	8	Device ID register - 0x0D	0x0Dh

### 5.1 Setting System Side Current Limit

To set the system side current limit, which is the output current in Forward mode or the input current in Reverse mode, write a 16-bit SystemCurrentLimit command (0X14H or 0b00010100) using the Write-word protocol shown in [Figure 5 on page 15](#) and the data format shown in [Table 3](#) for a 10mΩ Rs2 or [Table 4](#) for a 5mΩ Rs2.

The ISL95338 limits the system current by limiting the CSOP-CSON voltage. By using the recommended current-sense resistor value Rs2 = 10mΩ, the register's LSB always translates to 4mA of output current. The SystemCurrentLimit register accepts any output current command but only the valid register bits will be written to the register and the maximum value is clamped at 6080mA for Rs2 = 10mΩ.

After POR, the SystemCurrentLimit register is reset to 0x05DCH (1.5A). The SystemCurrentLimit register can be read back to verify its content.

Table 3. SystemCurrentLimit Register 0x14H (11-Bit, 4mA Step, 10mΩ Sense Resistor, x36)

Bit	Description
<1:0>	Not used
<2>	0 = Add 0mA of system current limit. 1 = Add 4mA of system current limit.
<3>	0 = Add 0mA of system current limit. 1 = Add 8mA of system current limit.
<4>	0 = Add 0mA of system current limit. 1 = Add 16mA of system current limit.
<5>	0 = Add 0mA of system current limit. 1 = Add 32mA of system current limit.
<6>	0 = Add 0mA of system current limit. 1 = Add 64mA of system current limit.
<7>	0 = Add 0mA of system current limit. 1 = Add 128mA of system current limit.
<8>	0 = Add 0mA of system current limit. 1 = Add 256mA of system current limit.
<9>	0 = Add 0mA of system current limit. 1 = Add 512mA of system current limit.
<10>	0 = Add 0mA of system current limit. 1 = Add 1024mA of system current limit.
<11>	0 = Add 0mA of system current limit. 1 = Add 2048mA of system current limit.

**Table 3. SystemCurrentLimit Register 0x14H (11-Bit, 4mA Step, 10mΩ Sense Resistor, x36) (Continued)**

Bit	Description
<12>	0 = Add 0mA of system current limit. 1 = Add 4096mA of system current limit.
<13:15>	Not used
Maximum	<12:2> = 10111110000 6080mA

Note: The gain for the system side current-sensing amplifiers is different for Forward mode and Reverse mode. The gain in Reverse mode is half of that in Forward mode. Therefore, in Reverse mode, the sensing current value needs to be doubled compared to the value set in the SystemCurrentLimit register.

**Table 4. ForwardOutputCurrentLimit Register 0x14H (11-Bit, 8mA Step, 5mΩ Sense Resistor, x36)**

Bit	Description
<1:0>	Not used
<2>	0 = Add 0mA of system current limit. 1 = Add 8mA of system current limit.
<3>	0 = Add 0mA of system current limit. 1 = Add 16mA of system current limit.
<4>	0 = Add 0mA of system current limit. 1 = Add 32mA of system current limit.
<5>	0 = Add 0mA of system current limit. 1 = Add 64mA of system current limit.
<6>	0 = Add 0mA of system current limit. 1 = Add 128mA of system current limit.
<7>	0 = Add 0mA of system current limit. 1 = Add 256mA of system current limit.
<8>	0 = Add 0mA of system current limit. 1 = Add 512mA of system current limit.
<9>	0 = Add 0mA of system current limit. 1 = Add 1024mA of system current limit.
<10>	0 = Add 0mA of system current limit. 1 = Add 2048mA of system current limit.
<11>	0 = Add 0mA of system current limit. 1 = Add 4096mA of system current limit.
<12>	0 = Add 0mA of system current limit. 1 = Add 8192mA of system current limit.
<13:15>	Not used
Maximum	<12:2> = 10111110000 12160mA

## 5.2 Setting Input Current Limit in Forward Mode

To set the input current limit in Forward mode, write a 16-bit ForwardInputCurrent command (0x3FH or 0b00111111) using the Write-word protocol shown in [Figure 5 on page 15](#) and the data format shown in [Table 5](#) for a 20mΩ Rs1 or [Table 6 on page 23](#) for a 10mΩ Rs1.

The ISL95338 limits the input current in Forward mode by limiting the CSIP-CSIN voltage. By using the recommended current-sense resistor values, the register's LSB always translates to 4mA of input current. Any input current limit command will be accepted but only the valid register bits will be written to the ForwardInputCurrent register and the maximum values are clamped at 6080mA for Rs1 = 20mΩ.

**Table 5. ForwardInputCurrent Register 0x3FH (11-Bit, 4mA Step, 20mΩ Sense Resistor, x18)**

Bit	Description
<1:0>	Not used
<2>	0 = Add 0mA of input current limit in Forward mode. 1 = Add 4mA of input current limit in Forward mode.
<3>	0 = Add 0mA of input current limit in Forward mode. 1 = Add 8mA of input current limit in Forward mode.
<4>	0 = Add 0mA of input current limit in Forward mode. 1 = Add 16mA of input current limit in Forward mode.
<5>	0 = Add 0mA of input current limit in Forward mode. 1 = Add 32mA of input current limit in Forward mode.
<6>	0 = Add 0mA of input current limit in Forward mode. 1 = Add 64mA of input current limit in Forward mode.
<7>	0 = Add 0mA of input current limit in Forward mode. 1 = Add 128mA of input current limit in Forward mode.
<8>	0 = Add 0mA of input current limit in Forward mode. 1 = Add 256mA of input current limit in Forward mode.
<9>	0 = Add 0mA of input current limit in Forward mode. 1 = Add 512mA of input current limit in Forward mode.
<10>	0 = Add 0mA of input current limit in Forward mode. 1 = Add 1024mA of input current limit in Forward mode.
<11>	0 = Add 0mA of input current limit in Forward mode. 1 = Add 2048mA of input current limit in Forward mode.
<12>	0 = Add 0mA of input current limit in Forward mode. 1 = Add 4096mA of input current limit in Forward mode.
<13:15>	Not used
Maximum	<12:4> = 10111110000 6080mA.

**Table 6. ForwardInputCurrent Register 0x3FH (11-BIT, 8mA STEP, 10mΩ Sense Resistor, x18)**

Bit	Description
<1:0>	Not used
<2>	0 = Add 0mA of input current limit in Forward mode. 1 = Add 8mA of input current limit in Forward mode.
<3>	0 = Add 0mA of input current limit in Forward mode. 1 = Add 16mA of input current limit in Forward mode.
<4>	0 = Add 0mA of input current limit in Forward mode. 1 = Add 32mA of input current limit in Forward mode.
<5>	0 = Add 0mA of input current limit in Forward mode. 1 = Add 64mA of input current limit in Forward mode.
<6>	0 = Add 0mA of input current limit in Forward mode. 1 = Add 128mA of input current limit in Forward mode.
<7>	0 = Add 0mA of input current limit in Forward mode. 1 = Add 256mA of input current limit in Forward mode.
<8>	0 = Add 0mA of input current limit in Forward mode. 1 = Add 512mA of input current limit in Forward mode.
<9>	0 = Add 0mA of input current limit in Forward mode. 1 = Add 1024mA of input current limit in Forward mode.
<10>	0 = Add 0mA of input current limit in Forward mode. 1 = Add 2048mA of input current limit in Forward mode.

**Table 6. ForwardInputCurrent Register 0x3FH (11-BIT, 8mA STEP, 10mΩ Sense Resistor, x18) (Continued)**

Bit	Description
<11>	0 = Add 0mA of input current limit in Forward mode. 1 = Add 4096mA of input current limit in Forward mode.
<12>	0 = Add 0mA of input current limit in Forward mode. 1 = Add 8192mA of input current limit in Forward mode.
<13:15>	Not used
Maximum	<12:4> = 10111110000 12160mA

### 5.3 Setting System Regulating Voltage in Forward Mode

To set the regulating voltage in Forward mode, write a 16-bit ForwardRegulatingVoltage command (0x15H or 0b00010101) using the Write-word protocol shown in [Figure 5 on page 15](#) and the data format as shown in [Table 7](#).

The output regulating voltage range in Forward mode is 2V to 24V. The ForwardRegulatingVoltage register accepts any voltage command, but only the valid register bits will be written to the register. The maximum value is clamped at 24.576V. The ISL95338 accepts a 0V command, but the register value does not change. The VOUTS pin is the output voltage regulation sense point in Forward mode.

In Forward mode, the customer also can configure the regulating output voltage by setting the external voltage divider on the VOUTS pin without changing the ForwardRegulatingVoltage register value.

**Table 7. ForwardRegulatingVoltage Register 0x15H (12mV Step)**

Bit	Description
<2:0>	Not used
<3>	0 = Add 0mV of regulating voltage in Forward mode. 1 = Add 12mV of regulating voltage in Forward mode.
<4>	0 = Add 0mV of regulating voltage in Forward mode. 1 = Add 24mV of regulating voltage in Forward mode.
<5>	0 = Add 0mV of regulating voltage in Forward mode. 1 = Add 48mV of regulating voltage in Forward mode.
<6>	0 = Add 0mV of regulating voltage in Forward mode. 1 = Add 96mV of regulating voltage in Forward mode.
<7>	0 = Add 0mV of regulating voltage in Forward mode. 1 = Add 192mV of regulating voltage in Forward mode.
<8>	0 = Add 0mV of regulating voltage in Forward mode. 1 = Add 384mV of regulating voltage in Forward mode.
<9>	0 = Add 0mV of regulating voltage in Forward mode. 1 = Add 768mV of regulating voltage in Forward mode.
<10>	0 = Add 0mV of regulating voltage in Forward mode. 1 = Add 1536mV of regulating voltage in Forward mode.
<11>	0 = Add 0mV of regulating voltage in Forward mode. 1 = Add 3072mV of regulating voltage in Forward mode.
<12>	0 = Add 0mV of regulating voltage in Forward mode. 1 = Add 6144mV of regulating voltage in Forward mode.
<13>	0 = Add 0mV of regulating voltage in Forward mode. 1 = Add 12288mV of regulating voltage in Forward mode.
<14>	0 = Add 0mV of regulating voltage in Forward mode. 1 = Add 24576mV of regulating voltage in Forward mode.
<15>	Not used
Maximum	24576mV

Note: The default reading value of this register is 6.288V when the chip is powering up without writing any values because of the DAC initial value. Thus, write the needed value in this register before enabling forward output voltage.



## 5.4 Setting PROCHOT# Threshold for ADP Side Overcurrent Condition

To set the PROCHOT# assertion threshold for ADP side input overcurrent condition in Forward mode, write a 16-bit ADPSideProchot# command (0x47H or 0b01000111) using the Write-word protocol shown in [Table 5 on page 23](#) and the data format shown in [Table 8](#). By using the recommended current-sense resistor values, the register's LSB always translates to 128mA of input current. The ADPSideProchot# register accepts any current command, but only the valid register bits will be written to the register. The maximum values are clamped at 6400mA for  $R_{s1} = 20m\Omega$ .

After POR, the ADPSideProchot# register is reset to 0x0C00H. The ADPSideProchot# register can be read back to verify its content.

If the input current exceeds the ADPSideProchot# register setting, PROCHOT# signal will assert after the debounce time programmed by the Control2 register Bit<10:9> and latch on for a minimum time programmed by Control2 register Bit<8:6>.

**Table 8. ADPSideProchot# Register 0x47H (20m $\Omega$  Sensing Resistor, 128mA Step, x18 Gain)**

Bit	Description
<6:0>	Not used
<7>	0 = Add 0mA of ADPSideProchot# threshold. 1 = Add 128mA of ADPSideProchot# threshold.
<8>	0 = Add 0mA of ADPSideProchot# threshold. 1 = Add 256mA of ADPSideProchot# threshold.
<9>	0 = Add 0mA of ADPSideProchot# threshold. 1 = Add 512mA of ADPSideProchot# threshold.
<10>	0 = Add 0mA of ADPSideProchot# threshold. 1 = Add 1024mA of ADPSideProchot# threshold.
<11>	0 = Add 0mA of ADPSideProchot# threshold. 1 = Add 2048mA of ADPSideProchot# threshold.
<12>	0 = Add 0mA of ADPSideProchot# threshold. 1 = Add 4096mA of ADPSideProchot# threshold.
<15:13>	Not used
Maximum	<12:7> = 110010, 6400mA

## 5.5 Setting PROCHOT# Threshold for System Side Overcurrent Condition

To set the PROCHOT# signal assertion threshold for system side input overcurrent condition in Reverse mode, write a 16-bit SystemsideProchot# command (0x48H or 0b01001000) using the Write-word protocol shown in [Table 5 on page 23](#) and the data format shown in [Table 9](#). By using the recommended current-sense resistor values, the register's LSB always translates to 256mA of system side current. The SystemsideProchot# register accepts any current command, but only the valid register bits will be written to the register. The maximum values are clamped at 12.8A for  $R_{s2} = 10m\Omega$ .

After POR, the SystemsideProchot# register is reset to 0x1000H. The SystemsideProchot# register can be read back to verify its content.

If the system side current exceeds the SystemsideProchot# register setting, the PROCHOT# signal will assert after the debounce time programmed by the Control2 register Bit<10:9> and latch on for a minimum time programmed by Control2 register Bit<8:6>.

**Table 9. SystemsideProchot# Register 0x48H (10mΩ Sensing Resistor, 256mA Step, x18 Gain)**

Bit	Description
<7:0>	Not used
<8>	0 = Add 0mA of SystemsideProchot# threshold. 1 = Add 256mA of SystemsideProchot# threshold.
<9>	0 = Add 0mA of SystemsideProchot# threshold. 1 = Add 512mA of SystemsideProchot# threshold.
<10>	0 = Add 0mA of SystemsideProchot# threshold. 1 = Add 1024mA of SystemsideProchot# threshold.
<11>	0 = Add 0mA of SystemsideProchot# threshold. 1 = Add 2048mA of SystemsideProchot# threshold.
<12>	0 = Add 0mA of SystemsideProchot# threshold. 1 = Add 4096mA of SystemsideProchot# threshold.
<13>	0 = Add 0mA of SystemsideProchot# threshold. 1 = Add 8192mA of SystemsideProchot# threshold.
<15:14>	Not used
Maximum	<13:8> = 110010, 12800mA

## 5.6 Setting PROCHOT# Debounce Time and Duration Time

Control2 register Bit<10:9> configures the PROCHOT# signal debounce time before its assertion for ADPSideProchot# and SystemsideProchot#.

Control2 register Bit<8:6> configures the minimum duration of Prochot# signal once asserted.

## 5.7 Control Registers

Control0, Control1, Control2, Control3, and Control4 registers configure the operation of the ISL95338. To change certain functions or options after POR, write a 16-bit control command to Control0 register (0x39H or 0b00111001), and a 16-bit control command to Control1 register (0x3CH or 0b00111100), Control2 register (0x3DH or 0b00111101), Control3 register (0x4CH or 0b00111100), or Control4 register (0x4EH or 0b00111101) using the Write-word protocol shown in [Figure 5](#) and the data format shown in [Tables 10, 11, 12, 13, and 14](#), respectively.

**Table 10. Control0 Register 0x39H**

Bit	Bit Name	Description
<15:13>	Forward Buck and Buck-boost Phase Comparator Threshold Offset	Bit<15:13> adjusts phase comparator threshold offset for forward buck and buck-boost 000 = 0mV 001 = 1mV 010 = 2mV 011 = 3mV 100 = -4mV 101 = -3mV 110 = -2mV 111 = -1mV
<12:10>	Forward and Reverse Boost Phase Comparator Threshold Offset	Bit<12:10> adjusts phase comparator threshold offset for forward and reverse boost 000 = 0mV 001 = 0.5mV 010 = 1mV 011 = 1.5mV 100 = -2mV 101 = -1.5mV 110 = -1mV 111 = -0.5mV

**Table 10. Control0 Register 0x39H**

Bit	Bit Name	Description
<9:7>	Reverse Buck and Buck-boost Phase Comparator Threshold Offset	Bit<9:7> adjusts phase comparator threshold offset for reverse buck and buck-boost 000 = 0mV 001 = 1mV 010 = 2mV 011 = 3mV 100 = -4mV 101 = -3mV 110 = -2mV 111 = -1mV
<6:5>	High-Side FET Short Detection Threshold	Bit<6:5> configures the high-side FET short detection PHASE node voltage threshold during low-side FET turning on. 00 = 400mV (default) 01 = 500mV 10 = 600mV 11 = 800mV
<4:3>		Not used
<2>	Disable Input Voltage Regulation Loop	Bit<2> disables or enables the input voltage regulation loop. 0 = Enable input voltage regulation loop (default) 1 = Disable input voltage regulation loop
<1>	ADP Side Discharge	Bit<1> enable or disable ADP side charger function 0 = Disable (default) 1 = Enable
<0>	System Side Discharge	Bit<0> enable or disable system side charger function 0 = Disable (default) 1 = Enable

**Table 11. Control1 Register 0x3CH**

Bit	Bit Name	Description
<15>	Disable Diode-Emulation Comparator	Bit<15> enables or disables diode-emulation comparator. 0 = Diode-emulation comparator enabled (default) 1 = Diode-emulation comparator disabled
<14>	Allow Sinking Current During Negative DAC Transition	Bit<14> enables or disables sinking current during negative DAC transition. 0 = Sinking current during negative DAC transition enabled (default) 1 = Sinking current during negative DAC transition disabled
<13>	Skip Trim During Restart	Bit<13> enables or disables trim read during restart. Make sure to program this bit when PGOOD is high. 0 = Read trim during restart 1 = Skip trim during restart
<12>	Skip Autozero During Restart	Bit<12> enables or disables autozero during restart. Make sure to program this bit when PGOOD is high. 0 = Autozero during restart 1 = Skip autozero during restart
<11>	Reverse Mode Function	Bit<11> enables or disables Force Reverse mode function. 0 = Disable Force Reverse mode function (default) 1 = Enable Force Reverse mode function
<10>	Audio Filter	Bit<10> enables or disables the audio filter function. No audio filter function in Buck-Boost mode. 0 = Disable (default) 1 = Enable

**Table 11. Control1 Register 0x3CH (Continued)**

Bit	Bit Name	Description
<9:7>	Switching Frequency	Bit<9:7> configures the switching frequency. 000 = 1000kHz 001 = 910kHz 010 = 850kHz 011 = 787kHz 100 = 744kHz 101 = 695kHz 110 = 660kHz 111 = 620kHz
<6>		Not used
<5>	Disable System Side Current-Amp When in FWD Mode without ADP	Bit<5> enables or disables the system side current amplifier when in FWD mode without ADP. 0 = Enable system side current amplifier (default) 1 = Disable system side current amplifier
<4>	Bypass Mode	Bit<4> enables or disables the Bypass mode. 0 = Disable (default) 1 = Enable
<3>	Fast REF mode	Bit<3> enables or disables the fast REF mode. 0 = Disable (default) 1 = Enable
<2>	Stop Switching in FWD Mode	Bit<2> enables or disables the buck-boost switching V <sub>OUT</sub> output. When disabled, ISL95338 stops switching and REF drops to OV. Only valid in Forward mode. 0 = Enable switching (default) 1 = Disable switching
<1>	OV Enable or Disable During Slew-Down	Bit<1> enable or disable OV fault when VDAC slew rate down in Forward and Reverse mode. 0 = Enable OV (default) 1 = Disable OV
<0>	Force 5.04V VDAC	Bit<0> enable or disable force 5.04VDAC in Forward and Reverse mode. 0 = Disable force 5.04V VDAC (default) 1 = Enable force 5.04V VDAC

**Table 12. Control2 Register 0x3DH**

Bit	Bit Name	Description
<15>	OV Control	OV enable or disable 0 = Enable OV (default) 1 = Disable OV
<14>	UV Control	Bit<14> enable or disable UV 0 = Enable UV (default) 1 = Disable UV
<13>	Fault Restart Debounce for Reverse Enable	Bit<13> configures fault restart debounce for reverse enable. 0 = Debounce time is 1.3s (default) 1 = Debounce time is 150ms
<12>	Fault Restart Debounce	Bit<13> configures fast fault restart debounce. 0 = Debounce time is 1.3s or 150ms, depends on bit<13> setting (default) 1 = Debounce time is 200us or 10us, depends on bit<13> setting
<11>	Forward Restart Debounce for Forward Enable	Bit<13> configures fault restart debounce for forward enable. 0 = Debounce time is 1.3s (default) 1 = Debounce time is 150ms
<10:9>	PROCHOT# Debounce	Bit<10:9> configures the Prochot# debounce time before its assertion for ADPSideProchot# and SystemsideProchot#. 00: 7μs (default) 01: 100μs 10: 500μs 11: 1ms

**Table 12. Control2 Register 0x3DH (Continued)**

Bit	Bit Name	Description
<8:6>	PROCHOT# Duration	Bit<8:6> configures the minimum duration of Prochot# signal once asserted. 000 = 10ms (default) 001 = 20ms 010 = 15ms 011 = 5ms 100 = 1ms 101 = 500µs 110 = 100µs 111 = 0s
<5>		Not used
<4>	Reverse Fast Swap	Bit<4> configures reverse fast swap. 0 = Disable reverse fast swap (default) 1 = Enable reverse fast swap
<3>	Forward Fast Swap	Bit<3> configures forward fast swap. 0 = Disable forward fast swap (default) 1 = Enable forward fast swap
<2>	Not used	Not used
<1>	Disable WOC Fault	Bit<1> enables and disables WOC fault. 0 = Enable WOC (default) 1 = Disable WOC
<0>	System Side WOC Threshold	Bit<0> configures the System Side WOC fault comparator value. 0 = 20mV (default) 1 = 30mV

**Table 13. Control3 Register 0x4CH**

Bit	Bit Name	Description
<15>	Re-Read PROG Pin Resistor	Bit<15> re-read PROG pin resistor or not before switching. 0 = Re-read PROG pin resistor (default) 1 = Do not re-read PROG pin resistor
<14>		Not used
<13>		Not used
<12>	Reverse Startup Debounce Time	Bit<12> configures startup debounce time for reverse mode. 0 = Debounce time is 200us (default) 1 = Debounce time is 10us
<11>	Forward Startup Debounce Time	Bit<11> configures startup debounce time for forward mode. 0 = Debounce time is 200us (default) 1 = Debounce time is 10us
<10:8>	Force Operating Mode	Bit<10:8> enables or disables Force Operating mode. 0XX: No effect 100: No switching, do not use 101: Buck mode 110: Boost mode 111: Buck-Boost mode
<7>		Not used
<6>	Current Loop Feedback Gain	Bit<6> configures current loop feedback gain for high current. 0 = Gain x 1 (default) 1 = Gain x 0.5
<5>	Input Current Limit Loop	Bit<5> disables input current limit loop. 0 = Enable input current limit loop (default) 1 = Disable input current limit loop
<4>	Not Used	Not used
<3>	Disabled REF Amplifier for Use with External Reference	Bit<5> disables REF amplifier. 0 = Enable REF amplifier (default) 1 = Disable REF amplifier
<2>	Digital Reset	Bit<2> resets all SMBus register values to POR default value and restarts switching. 0 = Idle (default) 1 = Reset
<1>	Buck-Boost Switching Period	Bit<1> configures switching period in Buck-Boost mode. 0 = Period x 1 (default) 1 = Period x 2 (half switching frequency)
<0>	PGOOD Setting	Bit<0> configures PGGOD assert condition. 0 = PGOOD suppressed until VREF equals to VDAC (default) 1 = PGOOD assert when switching starts

**Table 14. Control4 Register 0x4EH**

Bit	Bit Name	Description
<15:8>		Not used
7	Reverse Mode Current PROCHOT#	Bit<7> enables or disables trigger PROCHOT# with current in Reverse mode. 0 = Enable (default) 1 = Disable
6	Forward Sleep Mode	Bit<7> enables or disables Chip Sleep mode in Forward mode regardless of ADP voltage. RVSEN pin or Control1 bit <11> can override this function. 0 = Disable (default) 1 = Enable
<5:2>		Not used

**Table 14. Control4 Register 0x4EH (Continued)**

Bit	Bit Name	Description
1	PROCHOT# Clear	Bit<1> clears PROCHOT#. 0 = Idle (default) 1 = Clear PROCHOT#
0	PROCHOT# Latch	Bit<0> manually resets PROCHOT#. 0 = PROCHOT# signal auto-clear 1 = hold PROCHOT# low once tripped

## 5.8 Regulating Voltage Register in Reverse Mode

The ReverseRegulatingVoltage register contains SMBus readable and writable Reverse mode output regulation voltage reference. The default value is 5.004V. This register accepts any voltage command but only the valid register bits will be written to the register. However, the register shouldn't be programmed higher than the recommended operating voltage.

In Reverse mode, the user also can configure the regulating output voltage on the ADP side by setting the external voltage divider on the ADP pin, without changing the ReverseRegulatingVoltage register value.

**Table 15. ReverseRegulatingVoltage Register 0x49H**

Bit	Description
<2:0>	Not used
<3>	0 = Add 0mV of regulating voltage in Reverse mode. 1 = Add 12mV of regulating voltage in Reverse mode.
<4>	0 = Add 0mV of regulating voltage in Reverse mode. 1 = Add 24mV of regulating voltage in Reverse mode.
<5>	0 = Add 0mV of regulating voltage in Reverse mode. 1 = Add 48mV of regulating voltage in Reverse mode.
<6>	0 = Add 0mV of regulating voltage in Reverse mode. 1 = Add 96mV of regulating voltage in Reverse mode.
<7>	0 = Add 0mV of regulating voltage in Reverse mode. 1 = Add 192mV of regulating voltage in Reverse mode.
<8>	0 = Add 0mV of regulating voltage in Reverse mode. 1 = Add 384mV of regulating voltage in Reverse mode.
<9>	0 = Add 0mV of regulating voltage in Reverse mode. 1 = Add 768mV of regulating voltage in Reverse mode.
<10>	0 = Add 0mV of regulating voltage in Reverse mode. 1 = Add 1536mV of regulating voltage in Reverse mode.
<11>	0 = Add 0mV of regulating voltage in Reverse mode. 1 = Add 3072mV of regulating voltage in Reverse mode.
<12>	0 = Add 0mV of regulating voltage in Reverse mode. 1 = Add 6144mV of regulating voltage in Reverse mode.
<13>	0 = Add 0mV of regulating voltage in Reverse mode. 1 = Add 12288mV of regulating voltage in Reverse mode.
<14>	0 = Add 0mV of regulating voltage in Reverse mode. 1 = Add 24576mV of regulating voltage in Reverse mode.
<15>	Not used
Maximum	27456mV

## 5.9 Output Current Limit Register in Reverse Mode

The ReverseCurrentLimit register contains SMBus readable and writable reverse current limit. The default is 512mA. This register accepts any current command, but only the valid register bits will be written to the register. The maximum values are clamped at 4096mA for  $R_{S1} = 20m\Omega$ .

**Table 16. ReverseCurrentLimit Register 0x4AH**

Bit	Description
<6:0>	Not used
<7>	0 = Add 0mA of output current limit in Reverse mode. 1 = Add 128mA of output current limit in Reverse mode.
<8>	0 = Add 0mA of output current limit in Reverse mode. 1 = Add 256mA of output current limit in Reverse mode.
<9>	0 = Add 0mV of output current limit in Reverse mode. 1 = Add 512mA of output current limit in Reverse mode.
<10>	0 = Add 0mV of output current limit in Reverse mode. 1 = Add 1024mA of output current limit in Reverse mode.
<11>	0 = Add 0mV of output current limit in Reverse mode. 1 = Add 2048mA of output current limit in Reverse mode.
<12>	0 = Add 0mV of output current limit in Reverse mode. 1 = Add 4096mA of output current limit in Reverse mode.
<15:13>	Not used
Maximum	4096mA

## 5.10 Input Voltage Limit Register

The InputVoltageLimit register contains SMBus readable and writable input voltage limits. The default is 4.096V. This register accepts any command, but only the valid register bits will be written to the register. The maximum values are clamped at 18V.

**Table 17. InputVoltageLimit Register 0x4BH**

Bit	Description
<7:0>	Not used
<8>	0 = Add 0mV of input voltage limit. 1 = Add 512mV of input voltage limit.
<9>	0 = Add 0mA of input voltage limit. 1 = Add 1024mV of input voltage limit.
<10>	0 = Add 0mV of input voltage limit. 1 = Add 2048mV of input voltage limit.
<11>	0 = Add 0mV of input voltage limit. 1 = Add 4096mV of input voltage limit.
<12>	0 = Add 0mV of input voltage limit. 1 = Add 8192mV of input voltage limit.
<13>	0 = Add 0mV of input voltage limit. 1 = Add 16384mV of input voltage limit.
<15:14>	Not used
Maximum	18000mV



## 5.11 Information Register

The Information Register contains SMBus readable information about manufacture and operating modes. [Tables 18](#) and [19](#) identify the bit locations of the information available.

**Table 18. Information1 Register 0x3AH**

Bit	Description
<3:0>	Not used
<4>	Not used
<6:5>	Not used
<9:7>	Not used
<10>	Not used
<11>	Bit<11> indicates if SystemSideProchot# is tripped or not. 0 = SystemSideProchot# is not tripped 1 = SystemSideProchot# is tripped
<12>	Bit<12> indicates if ADPSideProchot# is tripped or not. 0 = ADPSideProchot# is not tripped 1 = ADPSideProchot# is tripped
<14:13>	Bit<14:13> indicates the active control loop. 00 = Voltage control loop is active 01 = System current loop is active 10 = ADP current limit loop is active 11 = Input voltage loop is active
<15>	Bit<15> indicates if the internal reference circuit is active or not. Bit<15> = 0 indicates that ISL95338 is in low power mode. 0 = Reference is not active 1 = Reference is active

**Table 19. Information2 Register 0x4DH**

Bit	Description
<4:0>	Program Register read out
<7:5>	Bit<7:5> indicates the ISL95338 operation mode. 001: Forward Boost 010: Forward Buck 011: Forward Buck-Boost 101: Reverse Boost 110: Reverse Buck 111: Reverse Buck-Boost
<11:8>	Bit<11:8> indicates the ISL95338 state machine status. 0000 = OFF 0010 = ADP 0100 = VSYS 0110 = Enable Reverse mode 1000 = Enable LDO5 1110 = WAIT
<12>	Not used
<13>	Not used
<14>	Bit<14> indicates forward switching enable. 0 = Not enabled 1 = Enabled
<15>	Not used

## 6. Application Information

### 6.1 R3 Modulator

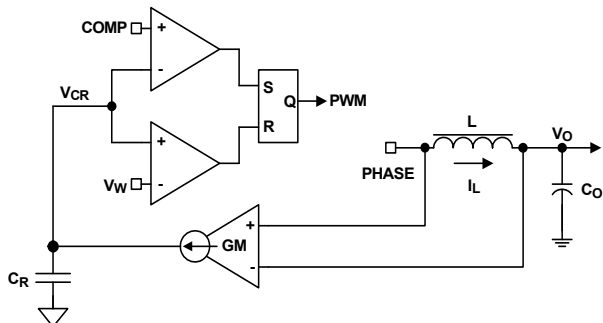


Figure 24. R3 Modulator

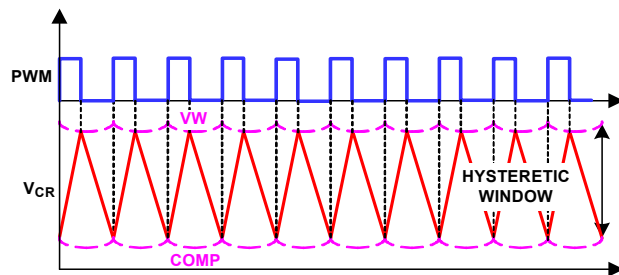


Figure 25. R3 Modulator Operation Principles in Steady State

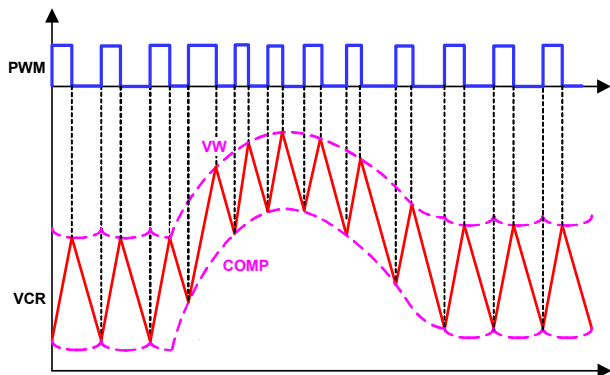


Figure 26. R3 Modulator Operation Principles in Dynamic Response

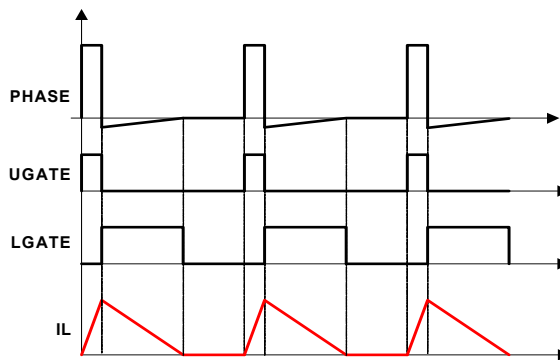
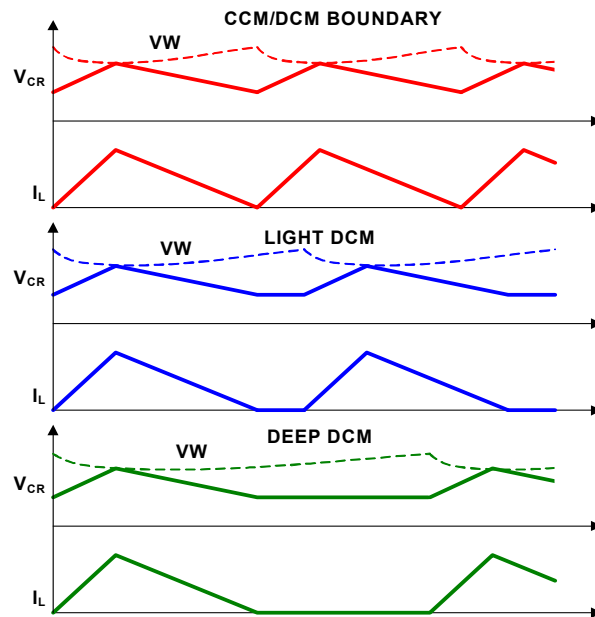


Figure 27. Diode Emulation



**Figure 28. Period Stretching**

The ISL95338 uses Intersil's patented Robust Ripple Regulator (R3) modulation scheme. The R3 modulator combines the best features of fixed frequency PWM and hysteretic PWM, while eliminating many of their shortcomings. [Figure 24 on page 34](#) conceptually shows the R3 modulator circuit and [Figure 25 on page 34](#) shows the operation principles in steady state.

The fixed voltage window between VW and COMP is called the VW window in the following discussion. The modulator charges the ripple capacitor  $C_R$  with a current source equal to  $g_m(V_{IN} - V_O)$  during PWM on-time and discharges the ripple capacitor  $C_R$  with a current source equal to  $g_m V_O$  during PWM off-time, where  $g_m$  is a gain factor. The  $C_R$  voltage  $V_{CR}$ , therefore, emulates the inductor current waveform. The modulator turns off the PWM pulse when  $V_{CR}$  reaches VW and turns on the PWM pulse when it reaches COMP.

Because the modulator works with  $V_{CR}$ , which is a large amplitude and noise-free synthesized signal, it achieves lower phase jitter than a conventional hysteretic mode modulator.

[Figure 26 on page 34](#) shows the operation principles during dynamic response. The COMP voltage rises during dynamic response, turning on PWM pulses earlier and more frequently temporarily, which allows for higher control loop bandwidth than a conventional fixed frequency PWM modulator at the same steady-state switching frequency.

The R3 modulator can operate in Diode Emulation (DE) mode to increase light-load efficiency. For example, in Buck DE mode the low-side MOSFET conducts when the current is flowing from source-to-drain and does not allow reverse current, emulating a diode. As shown in [Figure 27 on page 34](#), when LGATE is on, the low-side MOSFET carries current, creating negative voltage on the phase node due to the voltage drop across the ON-resistance. The IC monitors the current by monitoring the phase node voltage. It turns off LGATE when the phase node voltage reaches zero to prevent the inductor current from reversing the direction and creating unnecessary power loss. Similar operations apply for other modes, such as Boost and Buck-boost mode.

If the load current is light enough, as [Figure 27](#) shows, the inductor current will reach and stay at zero before the next phase node pulse. At this stage, the regulator is in Discontinuous Conduction Mode (DCM). If the load current is heavy enough, the inductor current will never reach 0A and the regulator will be in CCM, although the controller will be in DE mode.

[Figure 28](#) shows the operation principle in Diode Emulation mode at light load. The load gets incrementally lighter in the three cases from top to bottom. The PWM on-time is determined by the VW window size, therefore, it is the same, making the inductor current triangle the same in the three cases. The R3 modulator clamps the ripple

capacitor voltage  $V_{CR}$  in DE mode to make it mimic the inductor current. It takes the COMP voltage longer to hit  $V_{CR}$ , naturally stretching the switching period. The inductor current triangles move further apart from each other, such that the inductor current average value is equal to the load current. The reduced switching frequency helps increase light-load efficiency.

## 6.2 ISL95338 Bidirectional Buck-Boost Voltage Regulator

The ISL95338 bidirectional buck-boost voltage regulator drives an external N-channel MOSFET bridge comprised of two transistor pairs as shown in [Figure 2](#). The first pair, Q1 and Q2, is a buck arrangement with the transistor center tap connected to an inductor “input”, as is the case with a buck converter in Forward mode. The second transistor pair, Q3 and Q4, is a boost arrangement with the transistor center tap connected to the same inductor’s “output”, as is the case with a boost converter in Forward mode. This arrangement supports the same operation mode in reverse direction.

- In Forward Buck mode, Q1 and Q2 turn on and off alternatively, while Q3 remains off and Q4 remains on.
- In Forward Boost mode, Q3 and Q4 turn on and off alternatively, while Q1 remains on and Q2 remains off.
- In Forward Buck-Boost mode, Q1 and Q3 turn on at the same time, Q3 turns off and Q4 turns on, Q1 turns off and Q2 turns on, and after Q2 and Q4 turn off at the same time, and Q1 and Q3 turn on again.
- In Forward Bypass mode, Q1 and Q4 are always on, while Q2 and Q3 are always off.
- In Reverse Buck mode, Q3 and Q4 turn on and off alternatively, while Q2 remains off and Q1 remains on.
- In Reverse Boost mode, Q1 and Q2 turn on and off alternatively, while Q4 remains on and Q3 remains off.
- In Reverse Buck-Boost mode, Q4 and Q2 turn on at the same time, Q2 turns off and Q1 turns on, Q4 turns off and Q3 turns on, and after Q3 and Q1 turn off at the same time and Q4 and Q2 turn on again.
- In Reverse Bypass mode, Q1 and Q4 are always on, except during the needed refresh time, while Q2 and Q3 are always off.
- In Reverse mode the output sensing point is CSIP pin.

Table 20. Operation Mode

Mode	Q1	Q2	Q3	Q4
Forward Buck	Control FET	Sync. FET	OFF	ON
Forward Boost	ON	OFF	Control FET	Sync. FET
Forward Buck-Boost	Control FET	Sync. FET	Control FET	Sync. FET
Forward Bypass	ON	OFF	OFF	ON
Reverse Buck	ON	OFF	Sync. FET	Control FET
Reverse Boost	Sync. FET	Control FET	OFF	ON
Reverse Buck-Boost	Sync. FET	Control FET	Sync. FET	Control FET
Reverse Bypass	ON	OFF	OFF	ON

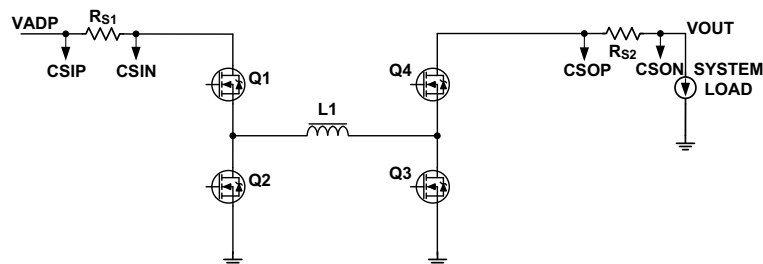


Figure 29. Buck-Boost Regulator Topology

The ISL95338 optimizes the operation mode transition algorithm by considering the input and output voltage ratio and the load condition. When ADP voltage  $V_{ADP}$  is rising and is higher than 94% of the system bus voltage  $V_{SYS}$ , the ISL95338 will transit from Boost mode to Buck-Boost mode. If  $V_{ADP}$  is higher than 120% of  $V_{SYS}$ , the ISL95338 will transit from Buck-Boost mode to Buck mode under any circumstance. At a heavier load, the mode transition point changes accordingly to accommodate the duty cycle change due to the power loss on the voltage regulator circuit.

When the ADP voltage  $V_{ADP}$  is falling and is lower than 106% of the system bus voltage  $V_{SYS}$ , the ISL95338 will transit from Buck mode to Buck-Boost mode. If  $V_{ADP}$  is lower than 80% of  $V_{SYS}$ , the ISL95338 will transit from Buck-Boost mode to Boost mode.

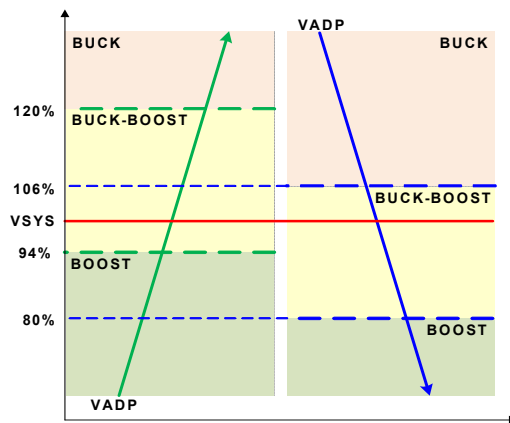


Figure 30. Operation Mode

When the reverse function is enabled with the SMBus command or RVSEN pin, and if reverse voltage  $V_{SYS}$  is higher than 4.1V, the ISL95338 operates in Reverse mode.

The customer can enable Bypass mode with Control1 register Bit 4. When the Bypass mode control bit is enabled, the REF will ramp to the input voltage, and the switcher will continue switching until the output voltage is in the 300mV window to the input. When the regulating voltage is within the 300mV window to the input voltage, the latch will be set to stop the switching, Q1 and Q4 will be always on while Q2 and Q3 will be always off, and UV and OV will be disabled. To exit Bypass mode, unprogram control1 register Bit 4, then the REF will ramp to DAC and the switching will resume.

### 6.3 Soft-Start

The ISL95338 includes a low power LDO with nominal 5V output, which input is OR-ed from the VOUT pin and ADP pin. The ISL95338 also includes a high power LDO with nominal 5V output, which input is from the DCIN pin connected to the ADP and the system bus, through an external OR-ing diode circuit. Both LDO outputs are tied to the VDD pin to provide the bias power and gate drive power for ISL95338. The VDDP pin is the ISL95338 gate drive power supply input. Use an R-C filter to generate the VDDP pin voltage from the VDD pin voltage.

When  $V_{DD} > 2.7V$ , the ISL95338 digital block is activated. The soft-start time can be set by the external capacitor on REF pin. The ISL95338 sources 1 $\mu$ A current out of the REF pin to charge this external capacitor. Its voltage will be used as the output voltage reference in the soft-start procedure.

### 6.4 Programming Options

The resistor from the PROG pin to GND programs the forward output voltage configuration of the ISL95338. [Table 21](#) shows the programming options.

Table 21. Prog Pin Programming Options

Prog-GND Resistance (kΩ)		Default Forward Regulating Voltage
Min	Max	
0	28	5.004
35.7	71.5	9.000
82.5	133	12.000
147	215	16.008
237	open	20.004

The switching frequency can be changed through SMBus Control1 register Bit<9:7> after POR. Refer to SMBus Control1 register programming table for a detailed description.

After POR, the ISL95338 will source 10μA current out of the PROG pin and read the PROG pin voltage to determine the resistor value. If ISL95338 is powered up from reverse side, it will not read PROG resistor. Once FRWEN is enabled, ISL95338 will reset the forward regulating voltage register to its default values according to the PROG pin setting.

By default, the ADP current-sensing resistor  $R_{s1}$  is 20mΩ and VSYS current-sensing resistor  $R_{s2}$  is 10mΩ. Using these  $R_{s1} = 20\text{m}\Omega$  and  $R_{s2} = 10\text{m}\Omega$  options would result in 4mA/LSB correlation in the SMBus current commands.

If  $R_{s1}$  and  $R_{s2}$  values are different from these  $R_{s1} = 20\text{m}\Omega$  and  $R_{s2} = 10\text{m}\Omega$  options, the SMBus command needs to be scaled accordingly to obtain the correct current. Smaller current-sense resistor values reduce the power loss whereas larger current-sense resistor values give better accuracy.

The illustration in this datasheet is based on current-sensing resistors  $R_{s1} = 20\text{m}\Omega$  and  $R_{s2} = 10\text{m}\Omega$  unless specified otherwise.

## 6.5 DE Operation

In DE mode of operation, the ISL95338 employs a phase comparator to monitor the PHASE node voltage to the ground or VOUT or ADP voltage during the low-side switching FET on-time to detect the inductor current zero crossing, depending on the operation mode (Buck, Buck-Boost and Boost) and power delivery direction (Forward or reverse direction), refer to the Table 22. The phase comparator needs a minimum on-time of the low-side switching FET for it to recognize inductor current zero crossing. If the low-side switching FET on-time is too short for the phase comparator to successfully recognize the inductor zero crossing, the ISL95338 may lose diode emulation ability. To prevent such a scenario, the ISL95338 employs a minimum low-side switching FET on-time. When the intended low-side switching FET on-time is shorter than the minimum value, the ISL95338 stretches the switching period to keep the low-side switching FET on-time at the minimum value, which causes the CCM switching frequency to drop below the set point.

Table 22. Voltage Comparator for DE Operation

Mode	Direction	Voltage Comparator
Buck	Forward	PHASE 1to GND
Boost	Forward	PHASE 1to VOUT
Buck-Boost	Forward	PHASE 1to VOUT
Buck	Reverse	PHASE 2 to GND
Boost	Reverse	PHASE 1to ADP
Buck-Boost	Reverse	PHASE 1to ADP

## 6.6 Forward Mode

When the forward function is enabled with the SMBus command or FRWEN pin (voltage is higher than 0.8V) and DCIN is powered by ADP, and if the ADP is plugged in and its value is higher than 4.1V, the ISL95338 can operate in Forward Buck mode, Forward Boost mode, Forward Buck-Boost mode, or Forward Bypass mode. After the forward output voltage reaches the regulating output voltage range set by register 0X15H Bit<14:3>, forward power-good FWGPG will assert to High.

## 6.7 Reverse Mode for USB OTG (On-the-Go)

When the reverse function is enabled with the SMBus command (Control1 Bit 11) or RVSEN pin, and if an external voltage is on system side and its value is higher than 4.1V, the ISL95338 can operate in Reverse Buck mode, Reverse Boost mode, Reverse Buck-Boost mode, or Reverse Bypass mode. RVSEN is the digital input pin. The 1.3s or 150ms debounce time can be set by Control2 register Bit<13>. After the reverse output voltage reaches the output voltage set by register 0X49H Bit<14:3>, reverse power-good RVSPG will assert to High.

Before Reverse mode starts switching, the CSIP pin voltage needs to drop below the reverse output overvoltage protection threshold (ReverseRegulatingVoltage + 1177mV) first.

The default reverse output voltage is 5V and programmable up to 20V in Reverse Buck, Reverse Buck-Boost, and Reverse Boost mode. In Reverse Bypass mode, the maximum value of reverse output voltage is programmable up to 20V. The reverse voltage register 0X49H can be used to configure the reverse output voltage.

## 6.8 Fast REF

To achieve fast REF in some applications, the fast REF function can be programmed by Control1 Bit3. If this bit is programmed, 1uA current source for REF pin will be replaced with 5k impedance to get faster transitions for REF voltage.

## 6.9 Fast Swap

The ISL95338 provides fast swap function in Forward mode and Reverse mode. Users can implement the fast swap function in Forward mode in one of two ways (pin reverse or software reverse) by following the steps below:

- Pin reverse fast swap enable:

- (1) Program Control2 Bit4 (Reverse Fast Swap).
- (2) Skip trim during restart by programming control1 Bit 13.
- (3) Skip autozero during restart by programming control1 Bit 12.
- (4) Enable RVSEN pin.

- Software reverse fast swap enable:

- (1) Program Control1 Bit0 (Force 5.04V VDAC).
- (2) Program Control1 Bit3 (Fast REF).
- (3) Skip trim during restart with programming control1 Bit 13.
- (4) Skip autozero during restart with programming control1 Bit 12.
- (5) Program Control1 Bit11 (Force Reverse mode).

Similarly, users can implement the fast swap function in Reverse mode in one of two ways (pin reverse or software reverse) by following the steps below:

- Pin forward fast swap enable:

- (1) Program Control2 Bit3 (Forward Fast Swap).
- (2) Skip trim during restart by programming control1 Bit 13.
- (3) Skip autozero during restart by programming control1 Bit 12.
- (4) Disable RVSEN pin.
- (5) Enable FWREN pin.

- Software forward fast swap enable:

- (1) Program Control1 Bit0 (Force 5.04V VDAC).
- (2) Program Control1 Bit3 (Fast REF).
- (3) Skip trim during restart by programming control1 Bit 13.
- (4) Skip autozero during restart by programming control1 Bit 12.
- (5) Un-program Control1 Bit11 (Force Reverse mode).

### 6.10 Way Overcurrent Protection (WOCP)

The ISL95338 provides Way Overcurrent Protection (WOCP) against the MOSFET short, system side and ADP side short, and inductor short scenarios. The ISL95338 monitors the CSIP-CSIN voltage and CSON-CSOP voltage and compares them to the WOCP threshold 12A for ADP current and 20A for system side current in Forward mode.

When the WOC comparator is tripped, the ISL95338 counts one time within each 10 $\mu$ s window. If the ISL95338 counts WOC to 7 times in 50ms, it stops switching immediately. After the 1.3s or 150ms debounce time is set by Control2 register Bit<12>, the ISL95338 goes through the start-up sequence to retry.

The WOCP function can be disabled through Control2 register Bit<1>.

### 6.11 ADP Input Overvoltage Protection

If the ADP pin input voltage exceeds 26.4V for more than 10 $\mu$ s, the ISL95338 will declare an ADP overvoltage condition and stop switching. When the ADP voltage drops below 25.608V for more than 100 $\mu$ s, the ISL95338 will start to switch.

### 6.12 System Output Overvoltage Protection

The ISL95338 provides system rail output overvoltage protection. If the system voltage VOUTS is 1095mV higher than the ForwardRegulatingVoltage register set value for more than 100 $\mu$ s, it will declare the system overvoltage, de-assert FWRPG, and stop switching. It will resume switching with the 100 $\mu$ s debounce when VOUTS is less than 542mV plus the setting reference voltage for forward.

### 6.13 System Output Undervoltage Protection

The ISL95338 provides system rail output undervoltage protection. If the system voltage VOUTS is 818mV lower than the ForwardRegulatingVoltage register set value for more than 1ms, it will declare the system undervoltage, de-assert FWRPG, and restart.

### 6.14 ADP Output Overvoltage Protection

The ISL95338 provides ADP rail output overvoltage protection. If the ADP voltage ADPS is 1177mV higher than the ReverseRegulatingVoltage register set value for more than 100 $\mu$ s, it will declare the ADP overvoltage, de-assert RVSPG, and stop switching. The ISL95338 will resume switching with the 100 $\mu$ s debounce when ADPS is less than 583mV plus the setting reference voltage for reverse.

### 6.15 ADP Output Undervoltage Protection

The ISL95338 provides ADP rail output undervoltage protection. If the ADP voltage VADPS is 1177mV lower than the ReverseRegulatingVoltage register set value for more than 1ms, it will declare the ADP undervoltage, de-assert RVSPG, and stop switching.

### 6.16 Over-Temperature Protection

The ISL95338 will stop switching for self protection when the junction temperature exceeds +140°C.

When the temperature falls below +120°C, and after a 100 $\mu$ s delay, the ISL95338 will start switching.



### 6.17 Switching Power MOSFET Gate Capacitance

The ISL95338 includes an internal 5V LDO output at the VDD pin, which can be used to provide the switching MOSFET gate driver power through the VDDP pin with an R-C filter. The 5V LDO output overcurrent protection threshold is 115mA nominal. When selecting the switching power MOSFET, the MOSFET gate capacitance should be considered carefully to avoid overloading the 5V LDO, especially in Buck-Boost mode when four MOSFETs are switching at the same time. For one MOSFET, the gate drive current can be estimated by [Equation 1](#):

$$I_{\text{driver}} = Q_g \cdot f_{\text{SW}} \quad (\text{EQ. 1})$$

where:

- $Q_g$  is the total gate ADP which can be found in the MOSFET datasheet
- $f_{\text{SW}}$  is switching frequency

### 6.18 ADP Side Input Filter

The ADP cable parasitic inductance and capacitance could cause some voltage ringing or an overshoot spike at the ADP connector node when the ADP is hot plugged in. This voltage spike could damage the ISL95338 pins connecting to the ADP connector node. One low cost solution is to add an RC snubber circuit at the ADP connector node to clamp the voltage spike as shown in [Figure 31](#). A practical value of the RC snubber is  $2.2\Omega$  to  $2.2\mu\text{F}$ ; however, the appropriate values and power rating should be carefully characterized based on the actual design. Additionally, it is not recommended to add a pure capacitor at the ADP connector node, which can cause an even bigger voltage spike due to the ADP cable or the ADP current path parasitic inductance.

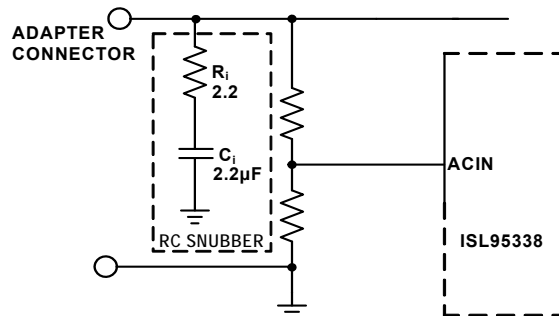


Figure 31. Adapter Input RC Snubber Circuit

## 7. General Application Information

This design guide is intended to provide a high-level explanation of the steps necessary to design a single-phase power converter. It is assumed that the reader is familiar with many of the basic skills and techniques referenced in the following section. In addition to this guide, Intersil provides complete reference designs that include schematics, bill of materials, and example board layouts.

### 7.1 Select the LC Output Filter

The duty cycle of an ideal buck converter in CCM is a function of the input and the output voltage. This relationship is written by [Equation 2](#):

$$D = \frac{V_{OUT}}{V_{IN}} \quad (\text{EQ. 2})$$

The output inductor peak-to-peak ripple current is written by [Equation 3](#):

$$I_{P-P} = \frac{V_{OUT} \cdot (1 - D)}{f_{SW} \cdot L} \quad (\text{EQ. 3})$$

A typical step-down DC/DC converter will have an  $I_{P-P}$  of 20% to 40% of the maximum DC output load current for a practical design. The value of  $I_{P-P}$  is selected based upon several criteria such as MOSFET switching loss, inductor core loss, and the resistive loss of the inductor winding.

The DC copper loss of the inductor can be estimated by [Equation 4](#):

$$P_{COPPER} = I_{LOAD}^2 \cdot DCR \quad (\text{EQ. 4})$$

where  $I_{LOAD}$  is the converter output DC current.

The copper loss can be significant so attention has to be given to the DCR selection. Another factor to consider when choosing the inductor is its saturation characteristics at elevated temperatures. A saturated inductor could cause destruction of circuit components.

A DC/DC buck regulator must have output capacitance  $C_O$ , into which ripple current  $I_{P-P}$  can flow. Current  $I_{P-P}$  develops a corresponding ripple voltage  $V_{P-P}$  across  $C_O$ , which is the sum of the voltage drop across the capacitor ESR and of the voltage change stemming from ADP moved in and out of the capacitor. These two voltages are written by [Equations 5](#) and [6](#):

$$\Delta V_{ESR} = I_{P-P} \cdot ESR \quad (\text{EQ. 5})$$

$$\Delta V_C = \frac{I_{P-P}}{8 \cdot C_O \cdot f_{SW}} \quad (\text{EQ. 6})$$

If the output of the converter has to support a load with high pulsating current, several capacitors will need to be paralleled to reduce the total ESR until the required  $V_{P-P}$  is achieved. The inductance of the capacitor can cause a brief voltage dip if the load transient has an extremely high slew rate. Low inductance capacitors should be considered in this scenario. A capacitor dissipates heat as a function of RMS current and frequency. Be sure that  $I_{P-P}$  is shared by a sufficient quantity of paralleled capacitors so that they operate below the maximum rated RMS current at  $f_{SW}$ . Take into account that the rated value of a capacitor can fade as much as 50% as the DC voltage across it increases.

## 7.2 Select the Input Capacitor

The important parameters for the input capacitance are the voltage rating and the RMS current rating. For reliable operation, select capacitors with voltage and current ratings above the maximum input voltage and capable of supplying the RMS current required by the switching circuit. Their voltage rating should be at least 1.25 times greater than the maximum input voltage, while a voltage rating of 1.5 times is a preferred rating. The “[Typical Application Circuit](#)” on page 2 is a graph of the input capacitor RMS ripple current, normalized relative to output load current, as a function of duty cycle and is adjusted for converter efficiency. The normalized RMS ripple current calculation is written as [Equation 7](#):

$$I_{C_{IN}(RMS,NORMALIZED)} = \frac{I_{MAX} \cdot \sqrt{D \cdot (1-D) + \frac{D \cdot k^2}{12}}}{I_{MAX}} \quad (EQ. 7)$$

where:

- $I_{MAX}$  is the maximum continuous  $I_{LOAD}$  of the converter
- $k$  is a multiplier (0 to 1) corresponding to the inductor peak-to-peak ripple amplitude expressed as a ratio of  $I_{MAX}$  (0 to 1)
- $D$  is the duty cycle that is adjusted to take into account the efficiency of the converter, which is written as [Equation 8](#):

$$D = \frac{V_{OUT}}{V_{IN} \cdot EFF} \quad (EQ. 8)$$

In addition to the capacitance, some low ESL ceramic capacitance is recommended to decouple between the drain of the high-side MOSFET and the source of the low-side MOSFET.

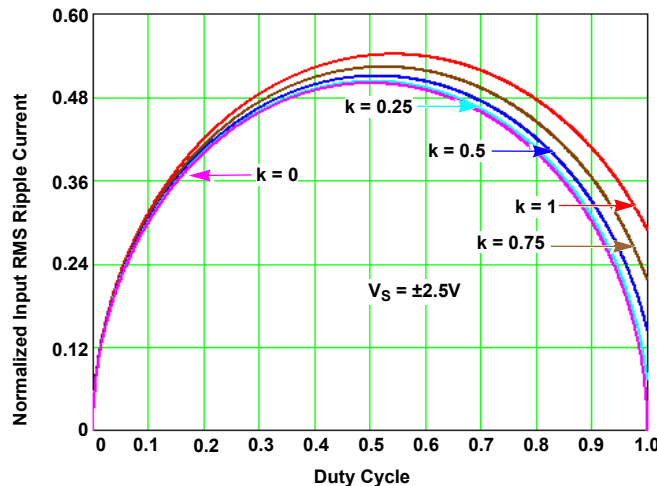


Figure 32. Normalized RMS Input Current at EFF = 1

### 7.3 Select the Switching Power MOSFET

Typically, a MOSFET cannot tolerate even brief excursions beyond their maximum drain-to-source voltage rating. The MOSFETs used in the power stage of the converter should have a maximum VDS rating that exceeds the sum of the upper voltage tolerance of the input power source and the voltage spike that occurs when the MOSFET switches off.

Several power MOSFETs are readily available that are optimized for DC/DC converter applications. The preferred high-side MOSFET emphasizes low gate ADP so that the device spends the least amount of time dissipating power in the linear region. Unlike the low-side MOSFET, which has the drain-to-source voltage clamped by its body diode during turn off, the high-side MOSFET turns off with a VDS of approximately  $V_{IN} - V_{OUT}$ , plus the spike across it. The preferred low-side MOSFET emphasizes low  $r_{DS(ON)}$  when fully saturated to minimize conduction loss. It should be noted that this is an optimal configuration of MOSFET selection for low duty cycle applications ( $D < 50\%$ ). For higher output, low input voltage solutions, a more balanced MOSFET selection for high- and low-side devices may be warranted.

For the low-side (LS) MOSFET, the power loss can be assumed to be conductive only and is written as [Equation 9](#):

$$P_{CON\_LS} \approx I_{LOAD}^2 \cdot r_{DS(ON)\_LS} \cdot (1 - D) \quad (EQ. 9)$$

For the high-side (HS) MOSFET, the conduction loss is written as [Equation 10](#):

$$P_{CON\_HS} = I_{LOAD}^2 \cdot r_{DS(ON)\_HS} \cdot D \quad (EQ. 10)$$

For the high-side MOSFET, the switching loss is written as [Equation 11](#):

$$P_{SW\_HS} = \frac{V_{IN} \cdot I_{VALLEY} \cdot t_{SW(ON)} \cdot f_{SW}}{2} + \frac{V_{IN} \cdot I_{PEAK} \cdot t_{SW(OFF)} \cdot f_{SW}}{2} \quad (EQ. 11)$$

where:

- $I_{VALLEY}$  is the difference of the DC component of the inductor current minus 1/2 of the inductor ripple current
- $I_{PEAK}$  is the sum of the DC component of the inductor current plus 1/2 of the inductor ripple current
- $t_{SW(ON)}$  is the time required to drive the device into saturation
- $t_{SW(OFF)}$  is the time required to drive the device into cut-off

### 7.4 Select the Bootstrap Capacitor

The selection of the bootstrap capacitor is written by [Equation 12](#):

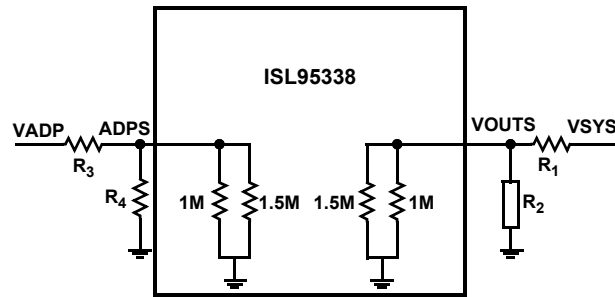
$$C_{BOOT} = \frac{Q_g}{\Delta V_{BOOT}} \quad (EQ. 12)$$

where:

- $Q_g$  is the total gate ADP required to turn on the high-side MOSFET
- $\Delta V_{BOOT}$  is the maximum allowed voltage decay across the boot capacitor each time the high-side MOSFET is switched on

As an example, suppose the high-side MOSFET has a total gate ADP  $Q_g$  of 25nC at  $V_{GS} = 5V$  and a  $\Delta V_{BOOT}$  of 200mV. The calculated bootstrap capacitance is 0.125 $\mu$ F; for a comfortable margin, select a capacitor that is double the calculated capacitance. In this example, 0.22 $\mu$ F will suffice. Use an X7R or X5R ceramic capacitor.

## 7.5 Select the Resistor Divider for VOUTS and ADPS



**Figure 33. Resistor Divider for VOUTS and ADPS**

ADPS and VOUTS are output voltage feedback pins, in Reverse mode and Forward mode, respectively, which allow the customer to change output voltage by the resistor divider ( $R_1$ ,  $R_2$ , and  $R_3$ ,  $R_4$ ), as shown in [Figure 2](#). There are two parallel resistors (1M and 1.5M) inside from VOUTS and ADPS to ground. For example, in Forward mode,  $V_{SYS}$  voltage magnitude can be revised by tuning  $R_1$  and  $R_2$  values, written by [Equation 13](#). Thus, there is no need to change the Forward Regulating Voltage register (0x15H) through GUI. The same process can be applied at the ADPS pin.

$$V_{OUTS} = V_{SYS} \frac{(1.5M \parallel 1M \parallel R_2)}{(1.5M \parallel 1M \parallel R_2) + R_1} \quad (\text{EQ. 13})$$

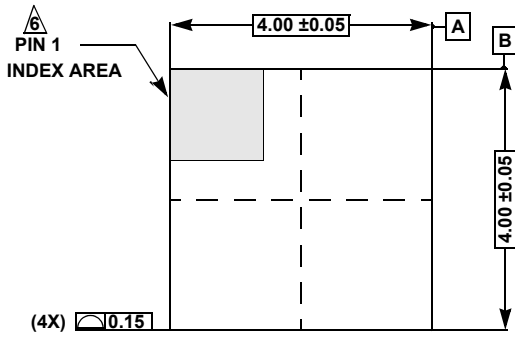
## 8. Revision History

Rev.	Date	Description
2.00	Nov 30, 2017	Added Way Overcurrent Protection (WOCP) function to datasheet.
1.00	Oct 5, 2017	Removed Way Overcurrent Protection (WOCP) function
0.00	Aug 15, 2017	Initial release

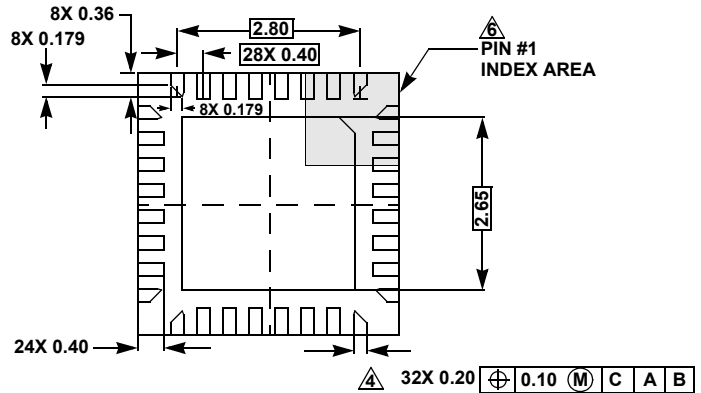
# 9. Package Outline Drawing

For the most recent package outline drawing, see [L32.4x4A](#).

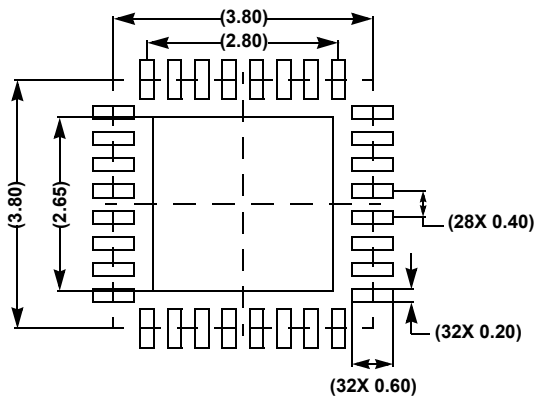
L32.4x4A  
 32 LEAD QUAD FLAT NO-LEAD PLASTIC PACKAGE  
 Rev 5, 2/16



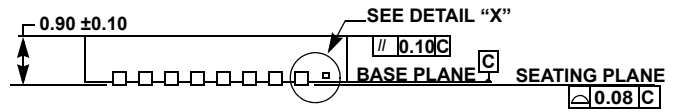
TOP VIEW



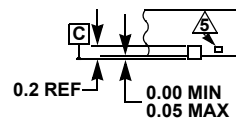
BOTTOM VIEW



TYPICAL RECOMMENDED LAND PATTERN



SIDE VIEW



DETAIL "X"

NOTES:

1. Dimensions are in millimeters.  
Dimensions in ( ) for Reference Only.
2. Dimensioning and tolerancing conform to ASME Y14.5m-1994.
3. Unless otherwise specified, tolerance: Decimal ±0.05
4. Dimension applies to the metallized terminal and is measured between 0.15mm and 0.25mm from the terminal tip.
5. Tiebar shown (if present) is a non-functional feature.
6. The configuration of the pin #1 identifier is optional, but must be located within the zone indicated. The pin #1 identifier may be either a mold or mark feature.

## 10. About Intersil

Intersil Corporation is a leading provider of innovative power management and precision analog solutions. The company's products address some of the largest markets within the industrial and infrastructure, mobile computing, and high-end consumer markets.

For the most updated datasheet, application notes, related documentation, and related parts, see the respective product information page found at [www.intersil.com](http://www.intersil.com).

For a listing of definitions and abbreviations of common terms used in our documents, visit [www.intersil.com/glossary](http://www.intersil.com/glossary).

You can report errors or suggestions for improving this datasheet by visiting [www.intersil.com/ask](http://www.intersil.com/ask).

Reliability reports are also available from our website at [www.intersil.com/support](http://www.intersil.com/support).

© Copyright Intersil Americas LLC 2017. All Rights Reserved.

All trademarks and registered trademarks are the property of their respective owners.

For additional products, see [www.intersil.com/en/products.html](http://www.intersil.com/en/products.html)

---

Intersil products are manufactured, assembled and tested utilizing ISO9001 quality systems as noted in the quality certifications found at [www.intersil.com/en/support/qualandreliability.html](http://www.intersil.com/en/support/qualandreliability.html)

---

*Intersil products are sold by description only. Intersil may modify the circuit design and/or specifications of products at any time without notice, provided that such modification does not, in Intersil's sole judgment, affect the form, fit or function of the product. Accordingly, the reader is cautioned to verify that datasheets are current before placing orders. Information furnished by Intersil is believed to be accurate and reliable. However, no responsibility is assumed by Intersil or its subsidiaries for its use; nor for any infringements of patents or other rights of third parties which may result from its use. No license is granted by implication or otherwise under any patent or patent rights of Intersil or its subsidiaries.*

---

For information regarding Intersil Corporation and its products, see [www.intersil.com](http://www.intersil.com)