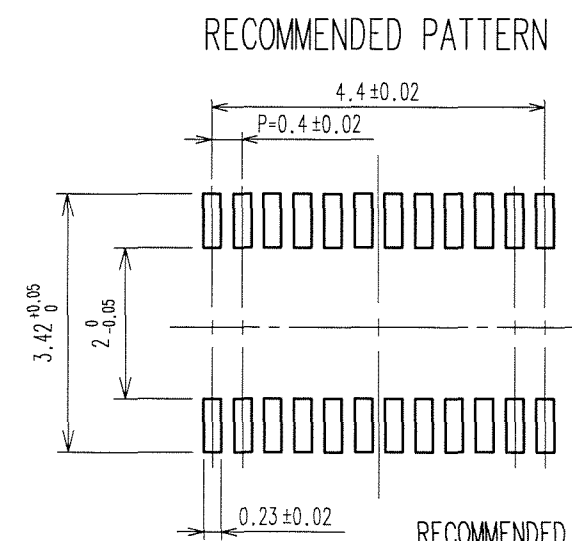
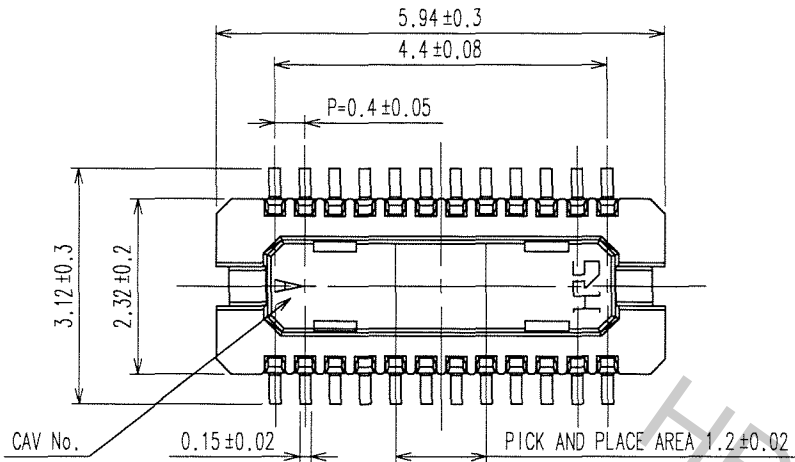


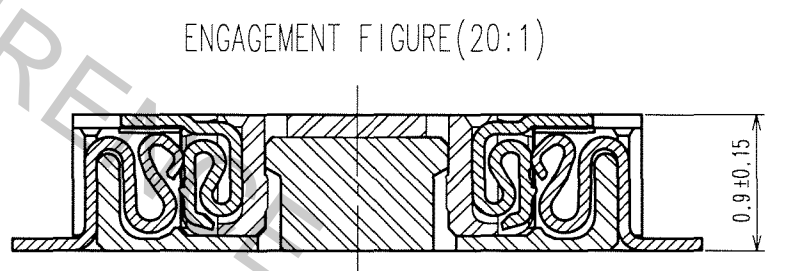
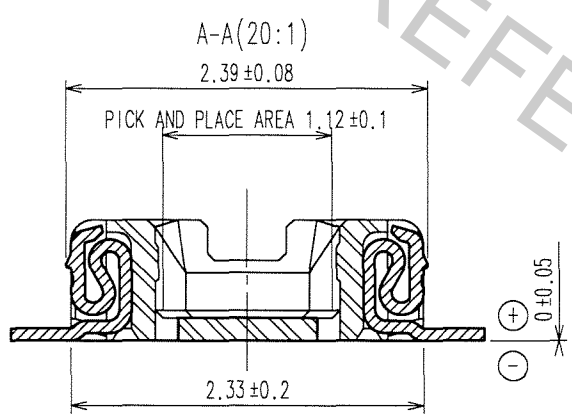
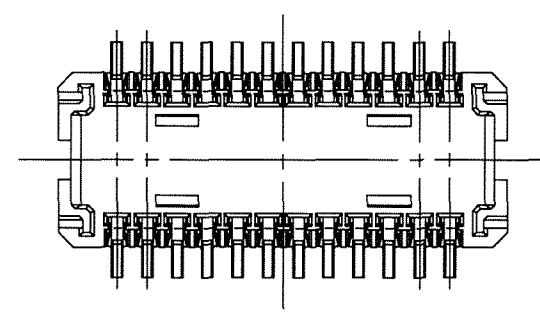
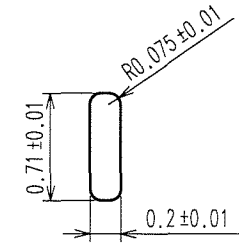
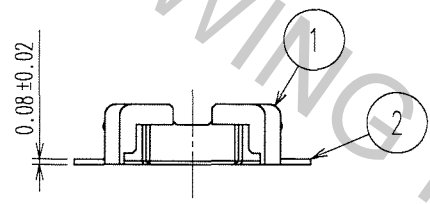
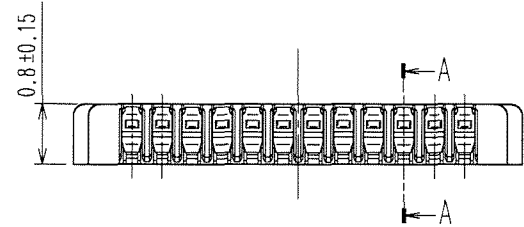
Apr.1.2017 Copyright 2017 HIROSE ELECTRIC CO., LTD. All Rights Reserved.

COUNT	DESCRIPTION OF REVISIONS	BY	CHKD	DATE	COUNT	DESCRIPTION OF REVISIONS	BY	CHKD	DATE
△					△				
△					△				
△					△				



RECOMMENDED SOLDER PASTE THICKNESS : 120μm

RECOMMENDED METAL MASK OPENING DIMENSIONS FOR LEAD PAD (20:1)



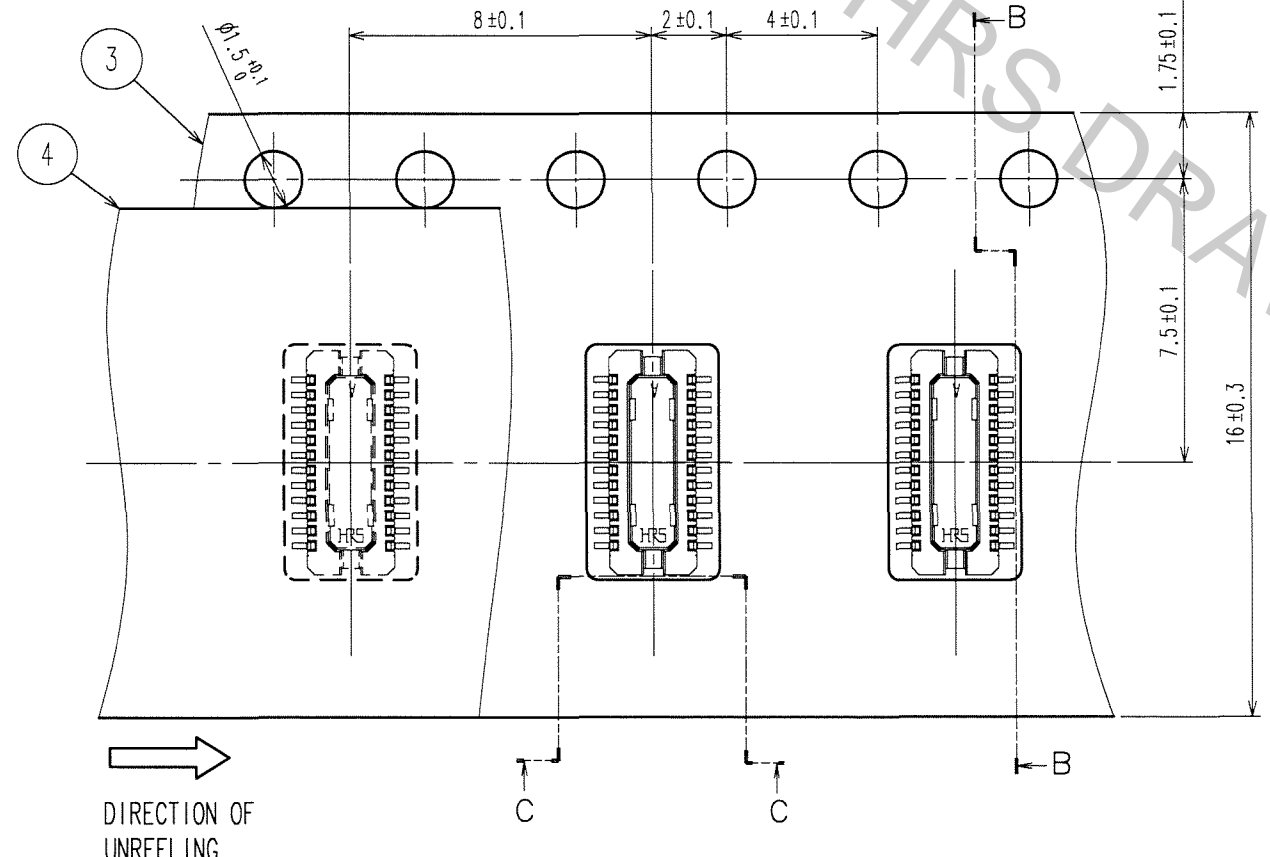
- NOTES
- ALL LEADS CO-PLANARITY SHALL BE 0.1 MAX.
  - PER REEL : 1000 CONNECTORS.
  - AT THE BEGINNING OF THE REEL, 100 mm AT MIN SHALL BE EMPTY POCKETS. AT THE END OF THE REEL, 160 mm AT MIN SHALL BE EMPTY POCKETS.
  - CONTACT PLATING SPECIFICATIONS.  
 CONTACT AREA : GOLD 0.05μm MIN.  
 SMT LEAD : GOLD 0.02μm MIN.  
 UNDERPLATING : NICKEL 1μm MIN.  
 (SURFACE : SEALING)

2	PHOSPHOR BRONZE	4	5	PS	PLASTIC REEL (BLACK)
1	LCP	UL94V-0, BLACK	4	POLYESTER	CLEAR (CAVER TAPE)
			3	PS	CLEAR (EMBOSSED CARRIER TAPE)
NO.	MATERIAL	FINISH, REMARKS	NO.	MATERIAL	FINISH, REMARKS
CODE NO. (OLD)		DRAWN	DESIGNED	CHECKED	APPROVED
		N.Sato	T. Arai	K. Akeda	K. Akeda
		'06. 11. 22	'06.11.22	'06.11.22	'06.11.22
DRAWING NO.		PART NO.			
EDC3-312156-02		DF30RC-24DP-0.4V(82)			
SCALE		CODE NO.			
10 : 1		CL684-1270-3-82			
UNITS		HIROSE ELECTRIC CO., LTD			
mm					

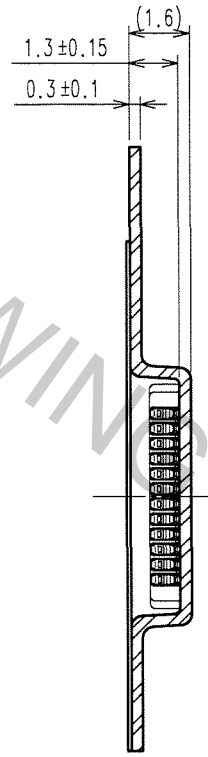
TO

Apr.1.2017 Copyright 2017 HIROSE ELECTRIC CO., LTD. All Rights Reserved.

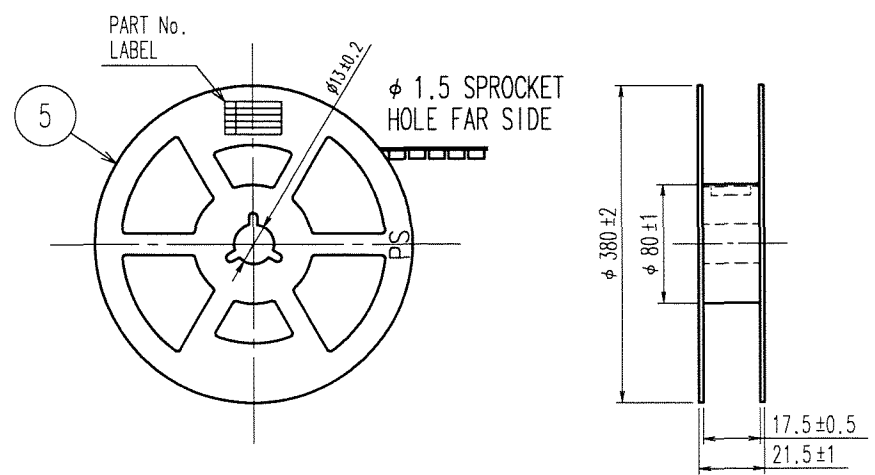
COUNT	DESCRIPTION OF REVISIONS	BY	CHKD	DATE	COUNT	DESCRIPTION OF REVISIONS	BY	CHKD	DATE



B-B

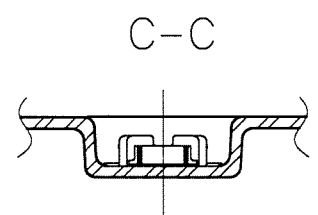


STYLE AND DIMENSION OF REEL (FREE SIZE)



DETAIL OF PART NO. LABEL

SUPPLIER	
QUANTITY	
PART NO.	
CODE NO.	
DATE OF MANUFACTURED	
生産月日	年 月 日
図番	CL684-1270-3-82
品名	DF30RC-24DP-0.4V(82)
納入数量	1000個
納入者	ヒロセ電機(株)



TO

CODE NO. (OLD)	DRAWN N.Sato '06.11.22	DESIGNED T. Arai '06.11.22	CHECKED K. Ikeda '06.11.22	APPROVED K. Ikeda '06.11.22	RELEASED
SCALE 5 : 1 UNITS mm	DRAWING NO. EDC3-312156-02		PART NO. DF30RC-24DP-0.4V(82)		
HRS HIROSE ELECTRIC CO., LTD		CODE NO. CL684-1270-3-82		2	