


SIGN	DATE	DESCRIPTION	APPROVER

THIS IS CAD DRAWING, DO NOT REVISE MANUALLY!!!

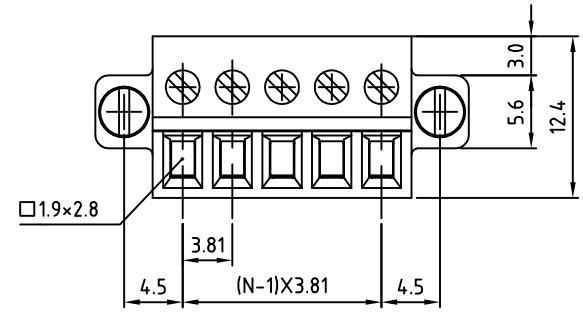
- Material:
- Terminal body
 - (metal housing): Steel
 - Terminal screw: Steel Zinc plating "-" slot type.
 - Wire guard: PhBz(CuSn), Tin plated.
 - Insulator(housing): Thermoplastic (UL94V-0)
 - With flange screw: Steel Zinc plated, M2.5

- Electrical: cULus
- Voltage rating: 300V
 - Current rating: 10A
 - Wire range:
 - Solid wire(AWG): 16-28
 - Stranded wire(AWG): 16-28
 - Torque: 1.7 Lb-In.
 - Screw: M2
 - Wire strip length: 6-7mm
 - Withstanding Voltage: 1.6KV
 - Operating temperature: -30°C to +105°C
 - Safety Approval: 
- RoHS Compliant

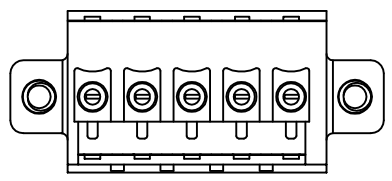
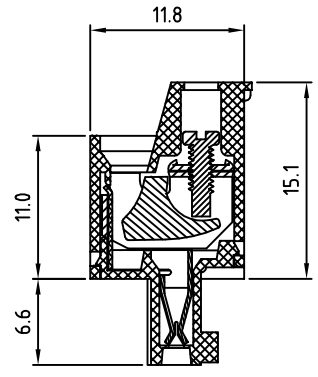
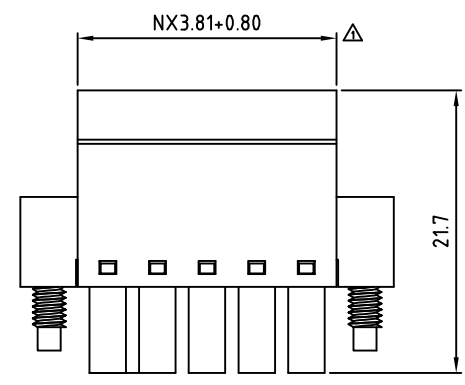
PART NUMBER:

OSTVMXX3552

No. of Poles	COLOR
02 2 Poles	0: Black
03 3 Poles	5: Green (Standard)
... ..	6: Blue
24 24 Poles	8: Grey

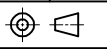


N=Number of poles



THESE DRAWINGS AND SPECIFICATIONS ARE THE PROPERTY OF ON-SHORE TECHNOLOGY, INC. AND SHALL NOT BE REPRODUCED, COPIED OR USED IN ANY MANNER WITHOUT THE PRIOR WRITTEN CONSENT OF ON-SHORE TECHNOLOGY, INC.



TITLE		OSTVM 3.81mm Series W/Flange			
PART NO.	OSTVMXX3552	DWG NO.	OSTVMXX3552.DWG		
APPROVED	CHECKED	DESIGNED	DRAWN	CUST NO.	Tolerance
Shi Jun 2006.10.25	Shi Jun 2006.10.25	Tony 2006.02.07	Tony 2006.02.07		X. ±0.50 X.X ±0.30 X.XX ±0.10 X° ±1°
SHEET: 01/01				UNIT: mm	SCALE: NONE
				REV: A	