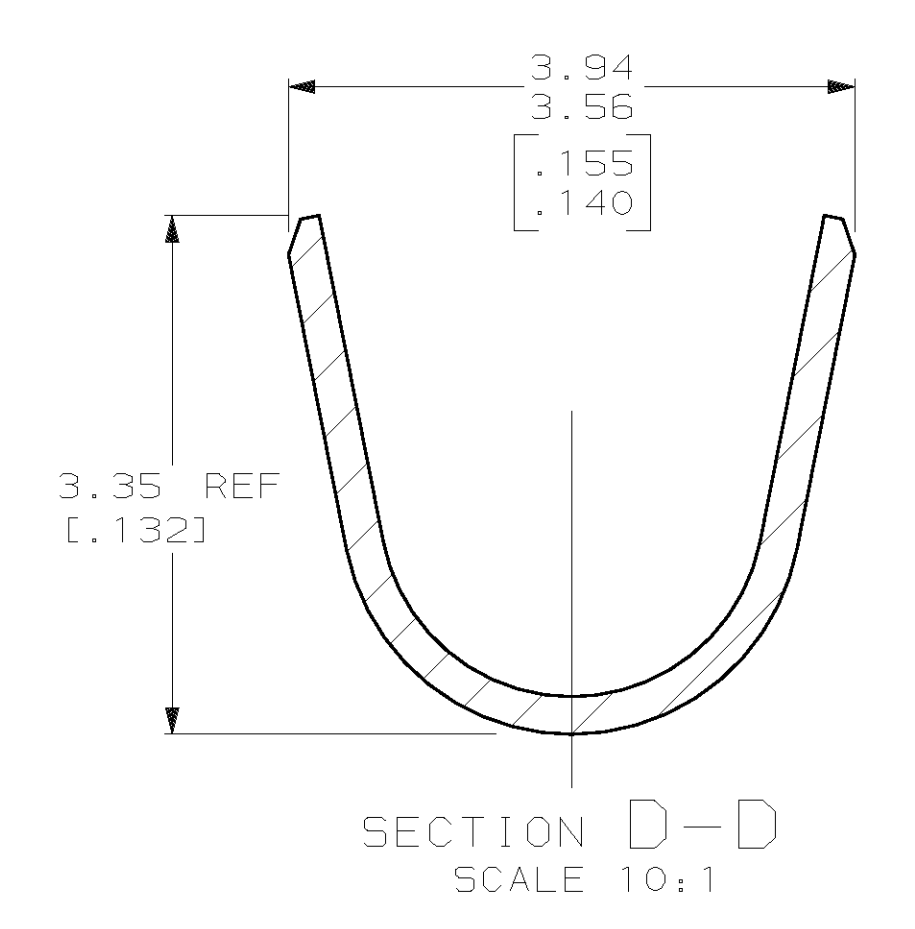
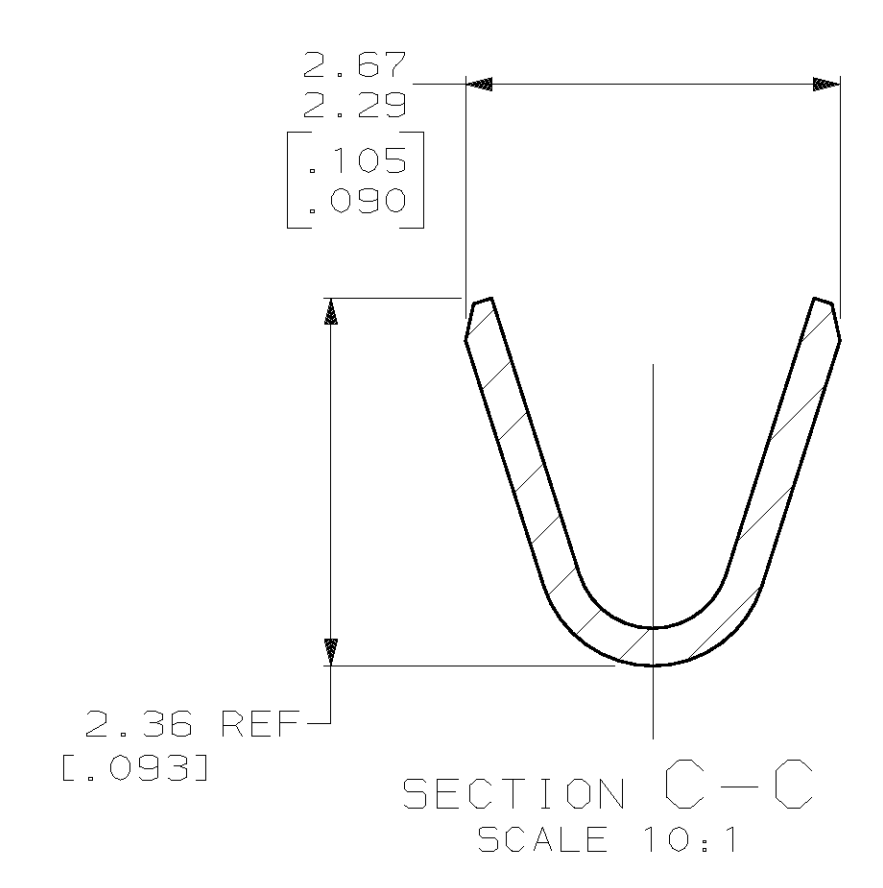
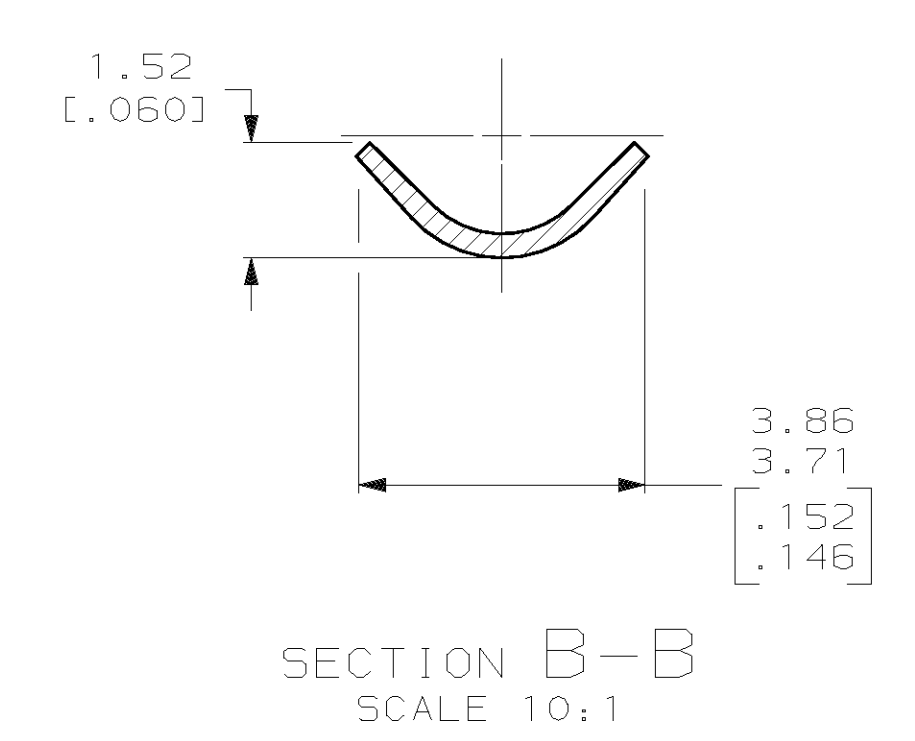
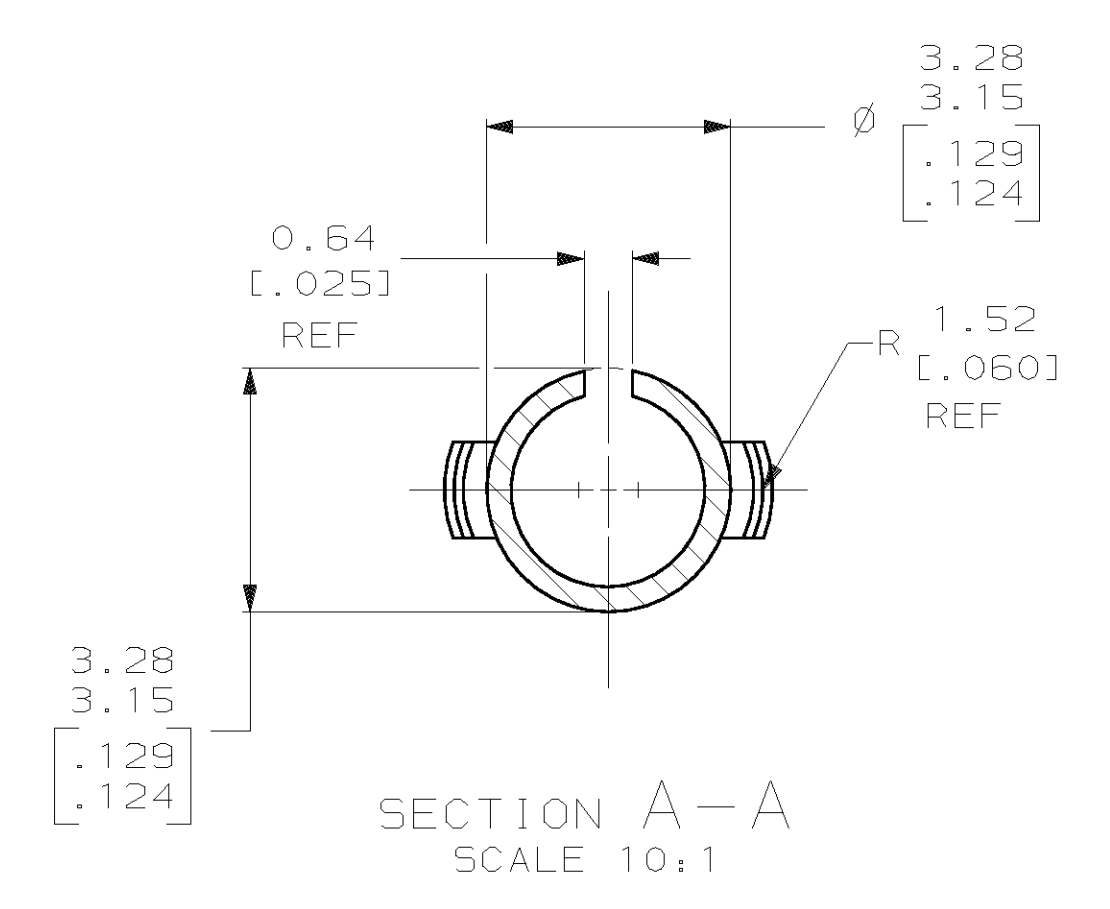
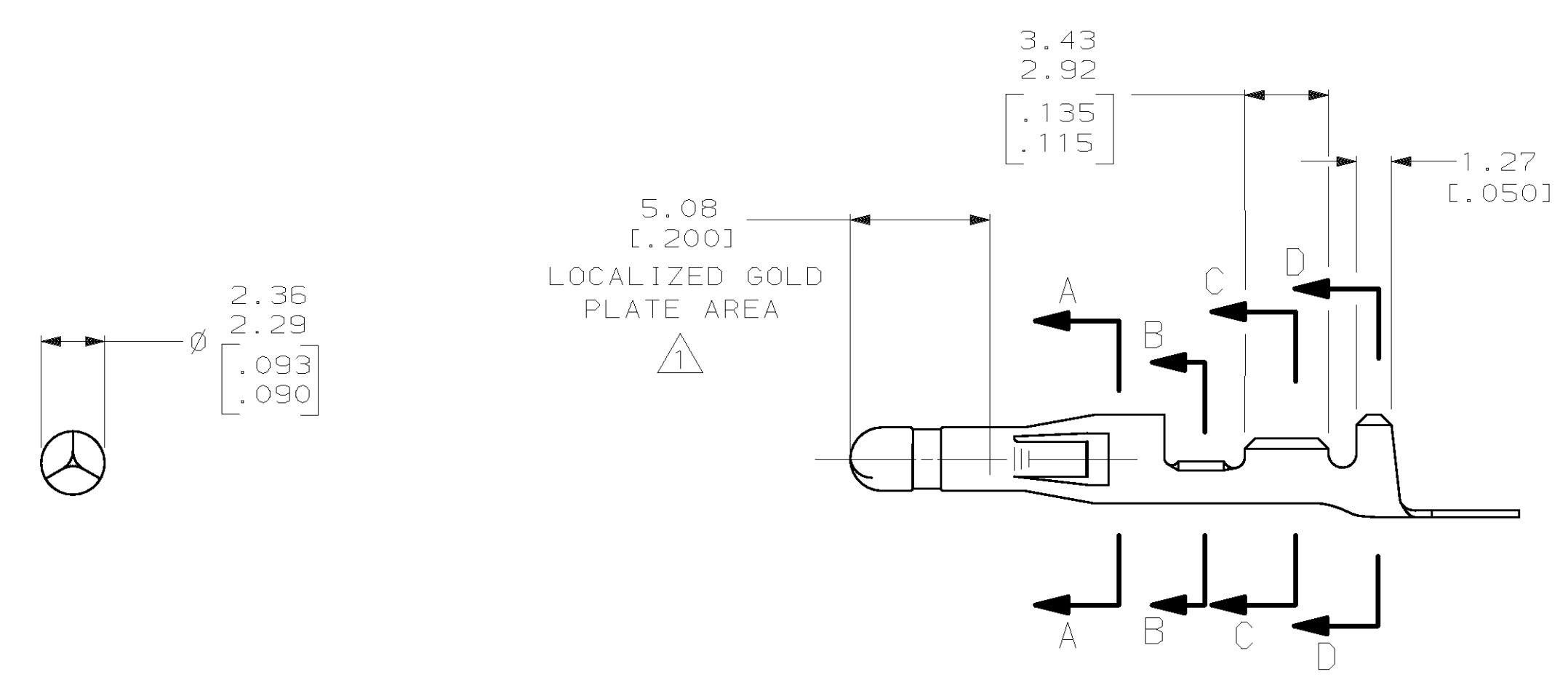
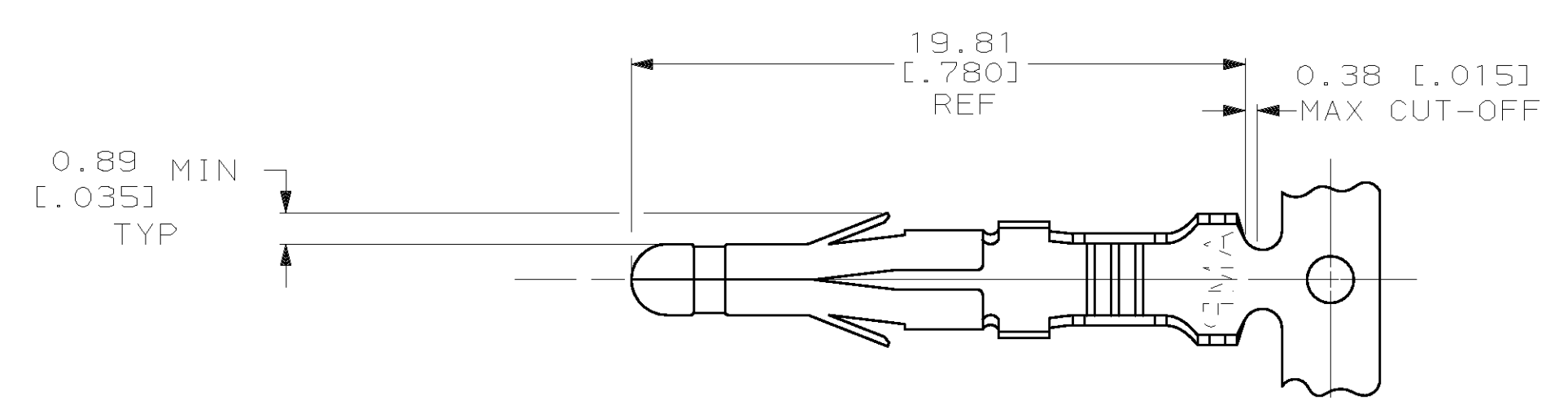


LOC		DIST		P		F		ZONE		LTR		REVISIONS		DATE	APPD	
CM	53												AD	REV PER EC 061B-0103-98	6-11-98	JH RS

- 1 0.00076 [.000030] MIN GOLD IN LOCALIZED GOLD PLATE AREA OVER 0.00127 [.000050] MIN NICKEL.
- 2 WIRE RANGE: 0.3 - 0.84mm² (24-18 AWG).
- 3 INSULATION RANGE: 2.79 [.110] MAX. DIA.
- 4 DIMENSIONS IN BRACKETS ARE IN INCHES.



FINISH	MATERIAL	PART NO
△	0.25 [.010] BRASS	350418-5
PRE-TIN	0.25 [.010] BRASS	350418-1

DO NOT SCALE PRINT. UNLESS SPECIFIED DIMENSIONS IN mm [INCHES] TOLERANCES ON:	DR 9-3-92 N. GANNON
1 PLG DEC ± -	CHK 9-3-92 R. SWING
2 PLG DEC ± -	APPD 9-8-92 C. CASH
3 PLG DEC ± 0.13 [.005]	APPD 9-8-92 C. CASH
ANGLES ± -	PRODUCT SPEC
MATERIAL	SEE TABLE
FINISH	SEE TABLE
APPLICATION SPEC	-
WEIGHT	-

AMP AMP Incorporated Harrisburg, PA 17105-3608		
NAME .093 PIN COMMERCIAL PIN AND SOCKET		
SIZE	CAGE CODE	DRAWING NO
D	00779	C-350418
SCALE	5:1	SHEET 1 OF 1

METRIC

THIS DRAWING IS A CONTROLLED DOCUMENT FOR AMP INCORPORATED. IT IS SUBJECT TO CHANGE AND THE CONTROLLING ENGINEERING ORGANIZATION SHOULD BE CONTACTED FOR THE LATEST REVISION.