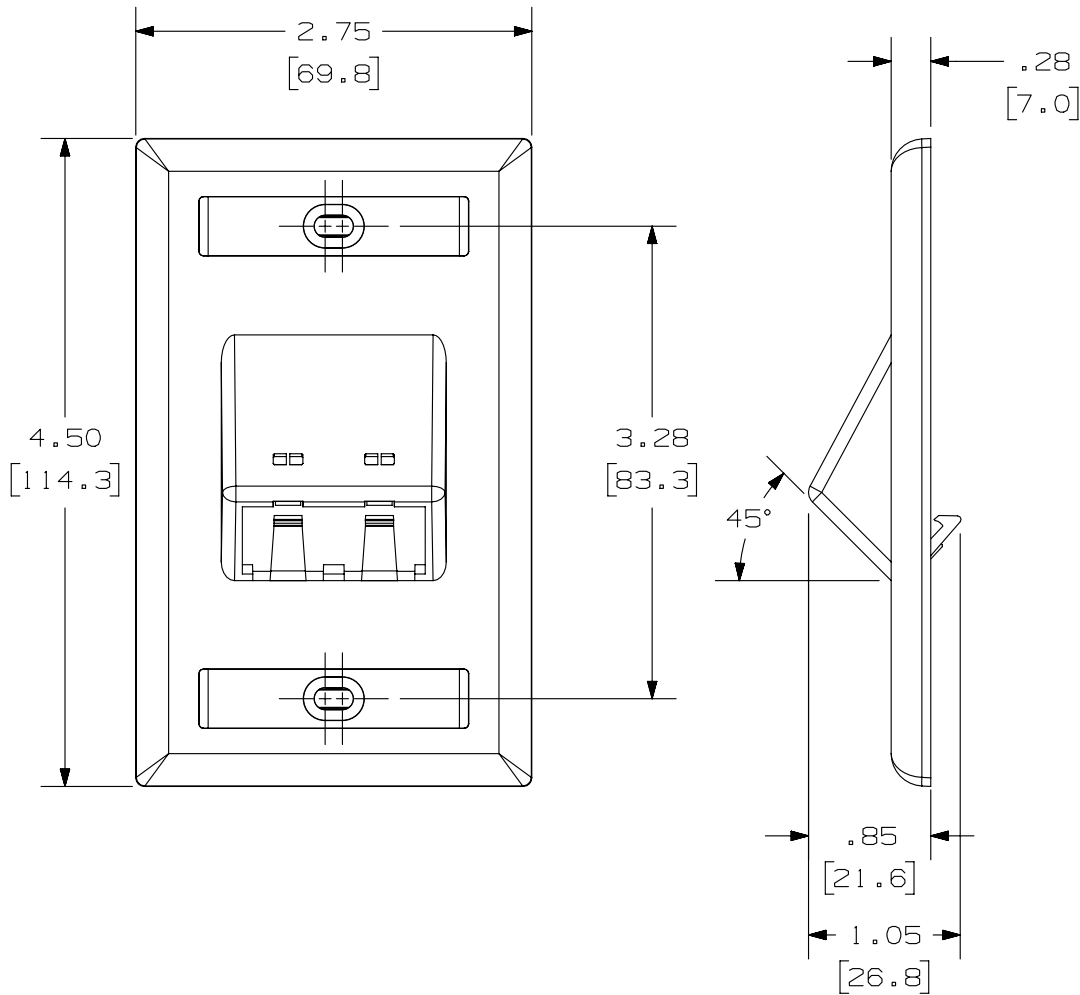


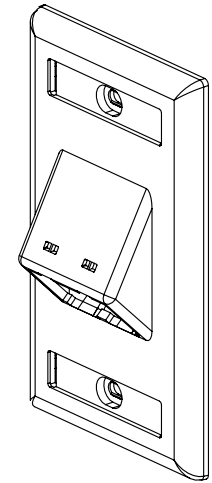
THIS COPY IS PROVIDED ON A RESTRICTED BASIS AND IS NOT TO BE USED IN ANY WAY DETRIMENTAL TO THE INTERESTS OF PANDUIT CORP.



PANDUIT P/N	WEIGHT
CFPSL2**Y	.61 LB/10 PCS. (278.8 G/10 PCS.)

NOTES:

- SEE CURRENT CATALOG FOR ADDITIONAL PART NUMBER SUFFIXES TO INDICATE COLOR AND OR PACKAGE QUANTITY.
- SEE CATALOG FOR COMPLETE LIST OF PARTS APPLICABLE FOR USE WITH THIS PART.
- DIMENSIONS IN [] ARE IN METRIC.
- PART INCLUDES:
PART INCLUDES:
1- FACEPLATE
2- MOUNTING SCREW
2- LABEL
2- LABEL COVER



PART NUMBER		CFPSL2**Y	
TITLE			
MINI-COM 2 POSITION CLASSIC SERIES VERTICAL SLOPED FACEPLATE WITH LABEL/COVER			
CUSTOMER DRAWING			
ITEM REVISION NAME		M02479EG/05	
DATASET FILE NAME		M02479EG_DC113/00B	
UNLESS OTHERWISE SPECIFIED, DIMENSIONAL TOLERANCES ARE: IN [mm]		MATERIAL:	
.x ± .xx ± .03 [.8]		ABS	
.xxx ± .010 [.3]		DRAWING NUMBER:	
ANGLES ±		02479-113	
THIRD ANGLE PROJECTION		SHT 1 OF 1	
DRAWN BY	DATE	CHK	SCALE
JSP	5-2-06	MJD	NONE
REV	DATE	BY	CHK
1	4/17/14	JSP	REFR
R	5-2-06	JSP	MJD
APR	DESCRIPTION		ECN
MMR	A. REVISED DRAWING TITLE BLOCK.		02479-113
MJD	RELEASED TO PRODUCTION		02479-113

D10100DA/14

2

1

2

1