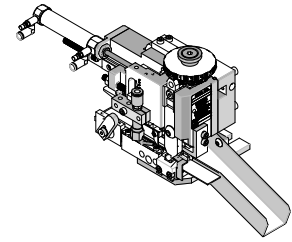


## Terminal Singulation Applicator

# molex

## Application Tooling Specification Sheet



Order No. 63801-9420

### Features

- Semi-automatic feeding and cutting of terminals from the carrier strip
- Cut terminals fall down a chute and can be collected in a bin.
- Scrap carrier strip is cut into short pieces for easy disposal
- Installs into the TM-3000™ or TM 4000™ Universal Crimp Press Order No. 63801-7200, 63801-7300, or 63801-7600.
- For Set-Up and Operation for this Applicator follow the instructions in the Terminal Singulation Press Operation Manual (Order No. TM-638019400)

### Scope

Products: Battery Connector Power Contact Ground. The Terminal Singulation Applicator will process the following Molex products:

Terminal Series Number	Terminal Part Number	
170377	170377-0002▲	170377-1002
170378	170378-0002▲	170378-1002

▲ Unplated terminal; the reel must be re-wound to correct the feed direction

**Note: Products not listed in the scope above should not be processed in this tool.**

### Description

The principal parts of the Terminal Singulation Applicator are shown in Figure 1.

### Operation

For Set-Up and Operation for this Applicator follow the instructions in the Terminal Singular Press Operation Manual (Order No. TM-638019400).

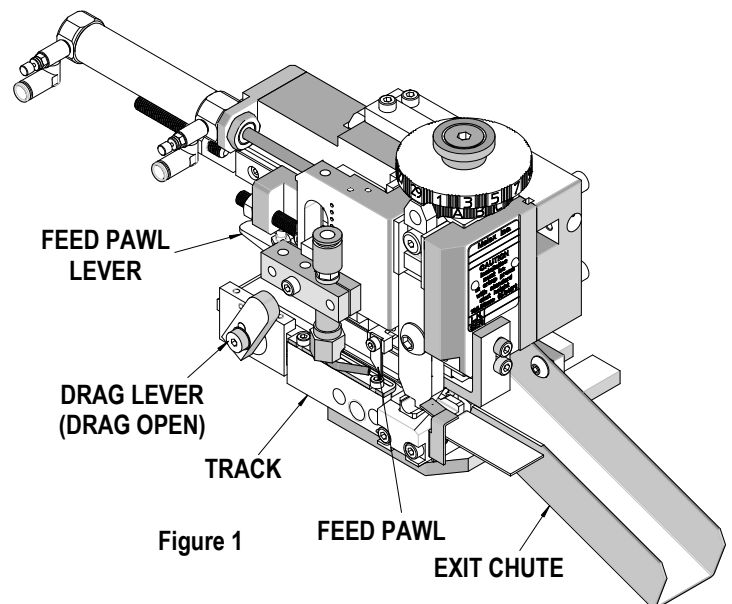


Figure 1

## Parts List

Terminal Singulation Applicator 63801-9420				
Item	Order No	Engineering No.	Description	Quantity
<b>Perishable Tooling</b>				
1	63801-9404	63801-9404	Die	1
2	63801-9413	63801-9413	Punch	1
3	63443-0037	63443-0037	Front Cut-Off Plunger	1
4	63443-0038	63443-0038	Front Plunger Retainer	1
<b>Other Components</b>				
5	11-18-4083	60707-8	Feed Guide	1
6	62500-0375	62500-0375	Male Connector	1
7	62500-1583	62500-1583	Flow Control, Cylinder Mounted	2
8	62500-2910	62500-2910	Union Tee, 6mm Tube	1
9	63443-0009	63443-0009	Front Scrap Chute	1
10	63443-0024	63443-0024	Key	1
11	63443-2201	63443-2201	Course Spacer (1.00mm)	1
12	63443-2312	63443-2312	Fine Spacer (3.60mm)	1
13	63600-2098	63600-2098	Compression Spring	1
14	63700-0539	63700-0539	Compression Spring	1
15	63700-1562	63700-1562	Air Jet Base	1
16	63700-1563	63700-1563	Air Jet Nut	1
17	63700-1564	63700-1564	Air Jet Holder	1
18	63700-1565	63700-1565	Air Jet Nozzle	1
19	63801-9402	63801-9402	Punch Holder	1
20	63801-9403	63801-9403	Stripper	1
21	63801-9405	63801-9405	Plunger Striker	1
22	63801-9406	63801-9406	Rear Chute Bracket	1
23	63801-9409	63801-9409	Rear Chute	1
24	63801-9414	63801-9414	Terminal Stripping Blade	1
25	63801-9415	63801-9415	Scrap Ramp	1
26	63801-9416	63801-9416	Rear Cover (Lower)	1
27	63801-9417	63801-9417	Rear Cover (Upper)	1
28	63801-9418	63801-9418	Cover Shim	4
29	63801-9419	63801-9419	Clamp Nut	1
30	63801-9421	63801-9421	Terminal Guide	1
31	63801-9499	63801-9499	Front Guard	1
32	69018-3146	69018-3146	Flow Control, 6mm Tube	1
<b>Frame</b>				
33	63801-3301	63801-3301	Top	1
34	63801-3281	63801-3281	Base	1
35	63801-4650	63801-4650	Track	1
36	63801-3501	63801-3501	Feed-C	1
<b>Hardware</b>				
37	N/A	N/A	M3 by 8 Long FHCS	1**
38	N/A	N/A	M3 by 6 Long SHCS	2**

Terminal Singulation Applicator 63801-9420				
Item	Order No	Engineering No.	Description	Quantity
39	N/A	N/A	M3 by 10 Long Dowel Pin	2**
40	N/A	N/A	M4 by 6 Long BHCS	1**
41	N/A	N/A	M4 by 6 Long SHCS	3**
42	N/A	N/A	M4 by 12 Long SHCS	4**
43	N/A	N/A	M4 by 20 Long SHCS	3**
44	N/A	N/A	M4 by 50 Long SHCS	2**
45	N/A	N/A	M5 by 6 Long BHCS	2**
46	N/A	N/A	M5 by 16 Long SHCS	1**
47	N/A	N/A	M8 by 30 Long BHCS	1**
** Available from an industrial supply company such as MSC (1-800-645-7270).				

### Assembly Drawing

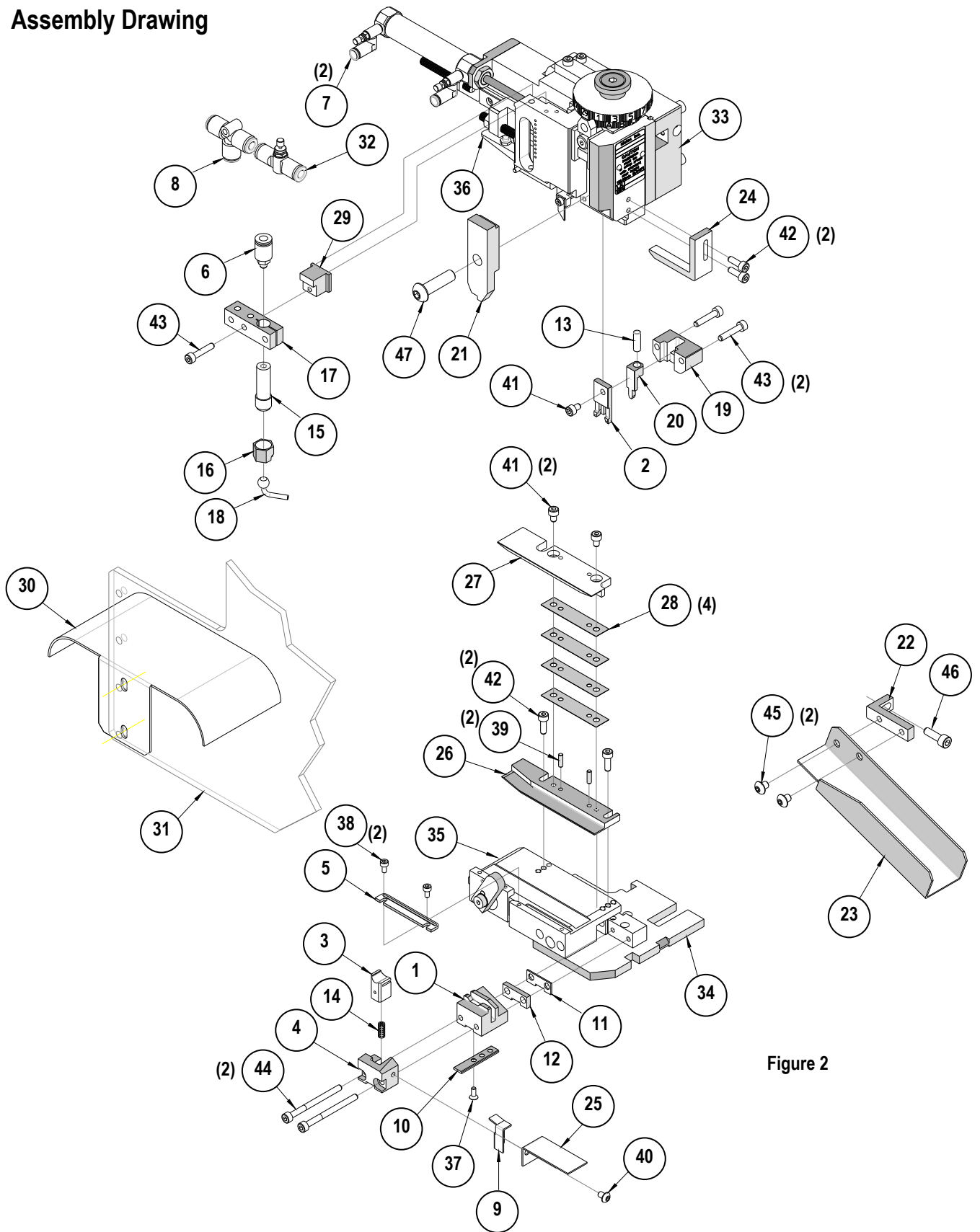


Figure 2

## Front Guard Replacement

The Front Guard will need to be replaced on the 63801-7300 TM-3000 Universal Press before using this applicator.

1. Remove the four screws on the two guard hinges and pull off the original guard.
2. Remove the four terminal guide standoffs.
3. Remove the guard handle.
4. Install the handle and the terminal standoffs on the new guard (63801-9499).
5. Position the new front guard on the guard hinges and install the four hinge screws.
6. With the hinge screws loose, adjust the guard position so the guard closes and opens properly. (When closed, the guard must activate the safety sensor on the press frame.) Tighten the hinge screws.

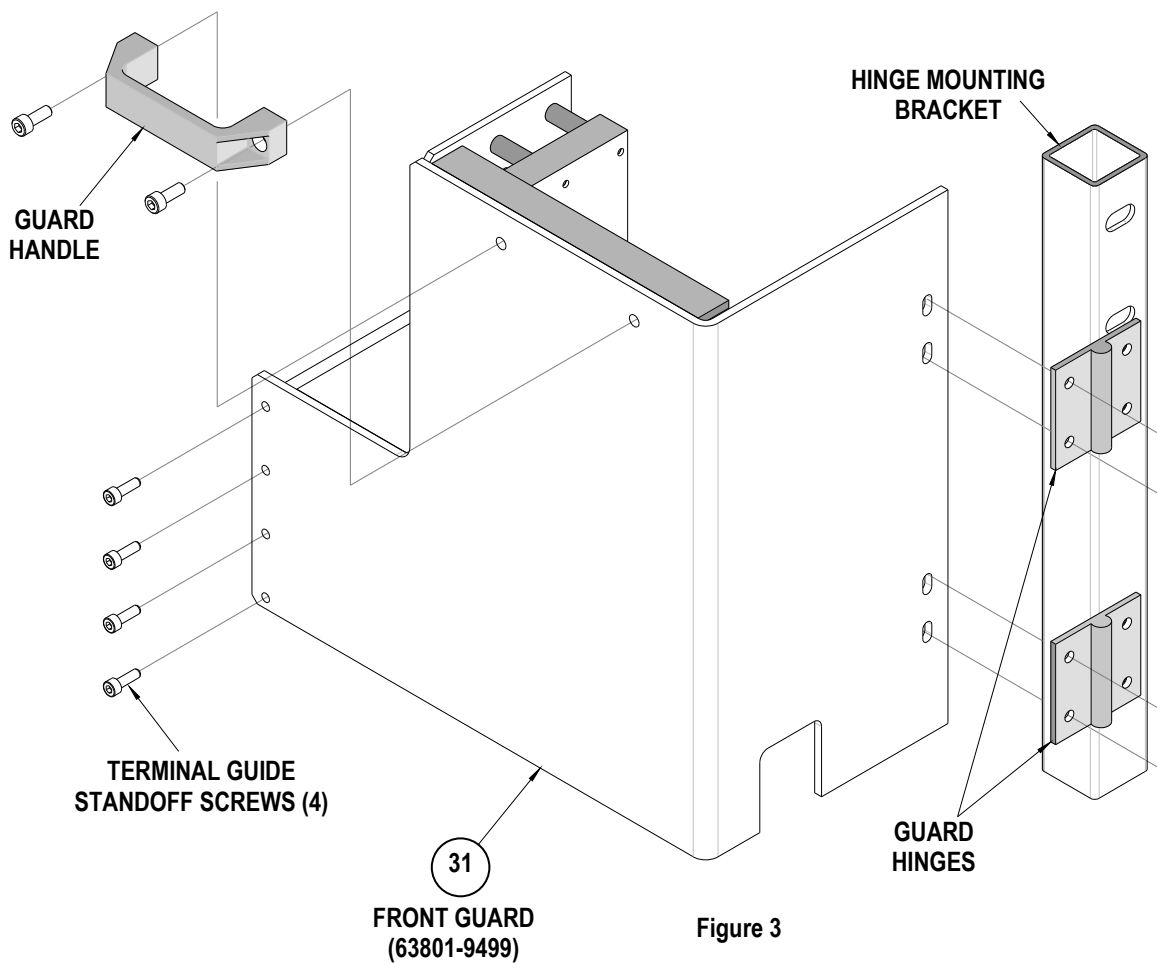


Figure 3

## NOTES

1. Molex recommends an extra perishable tooling kit be maintained at your facility.
2. Verify tooling alignment by manually cycling the press with the Terminal Singulation Applicator before cutting under power. Check that all screws are tight.
3. Slugs, Terminals, Dirt and Oil should be kept clear of work area.
4. Wear safety glasses at all times.

**CAUTION:** To prevent injury never operate this Applicator without the guards supplied with the press.

## Contact Information

For more information on Molex Application Tooling please contact Molex at 1-800-786-6539.

<http://www.molex.com>