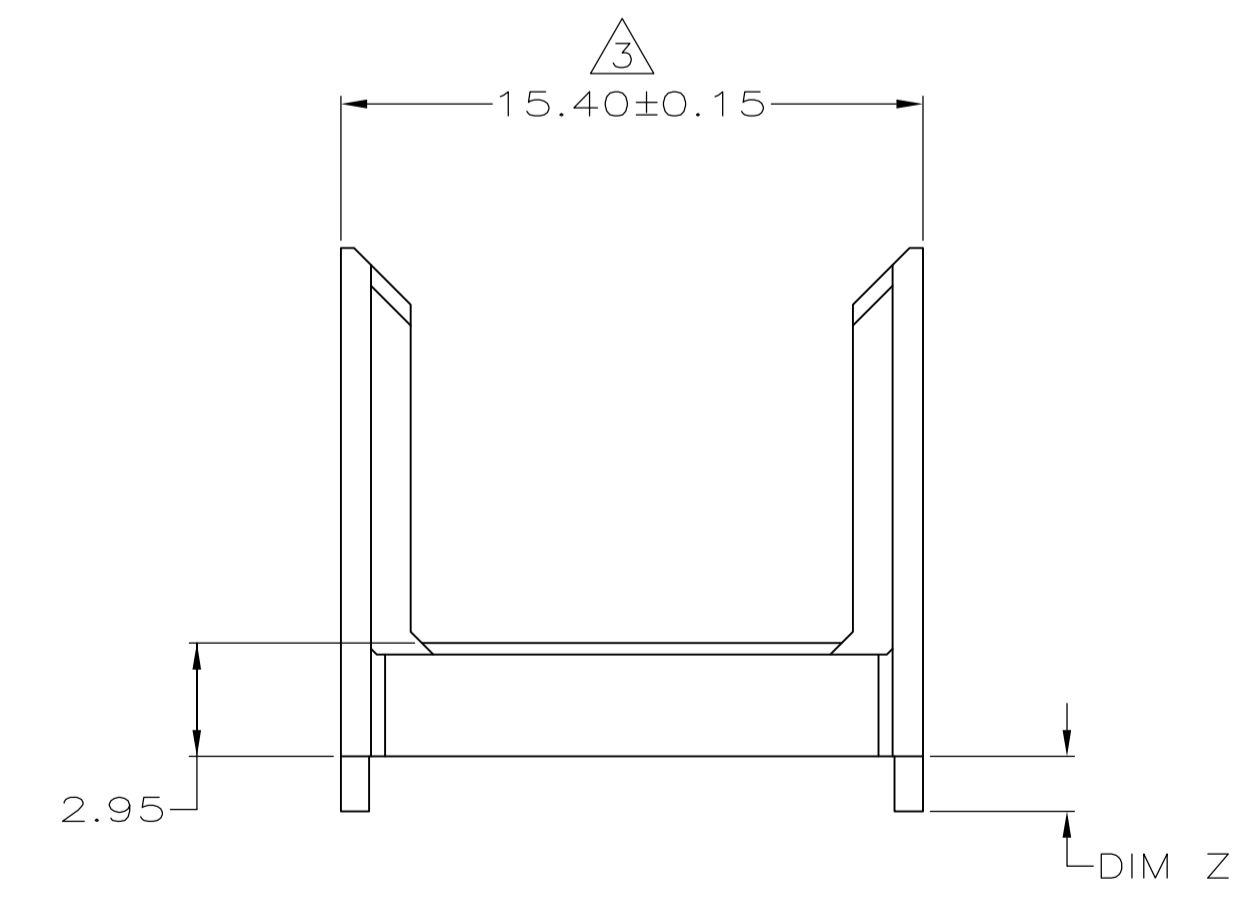
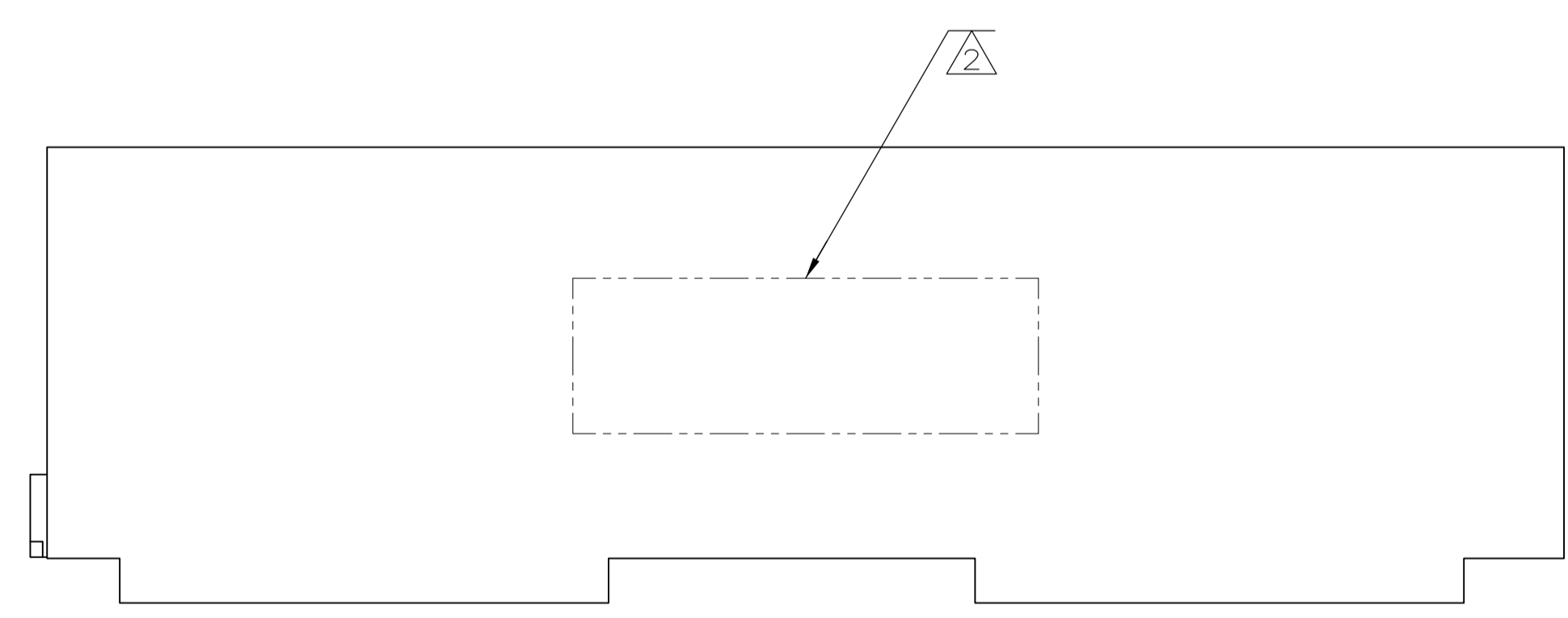
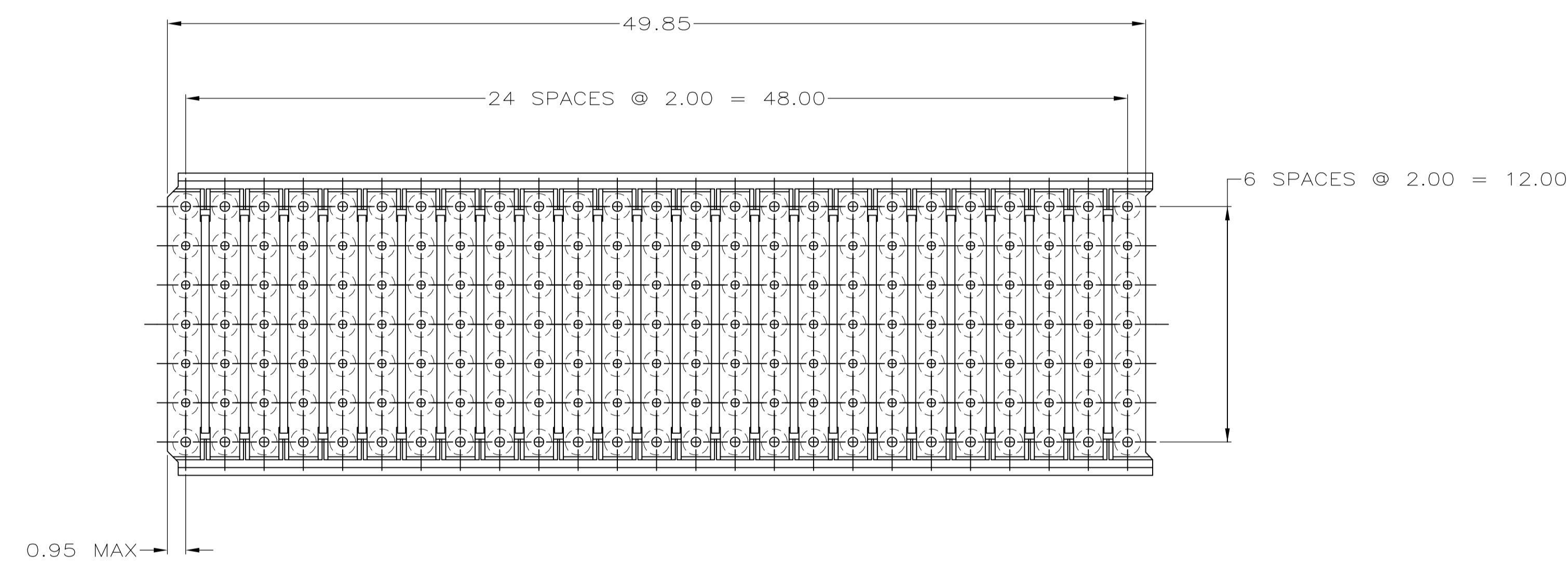
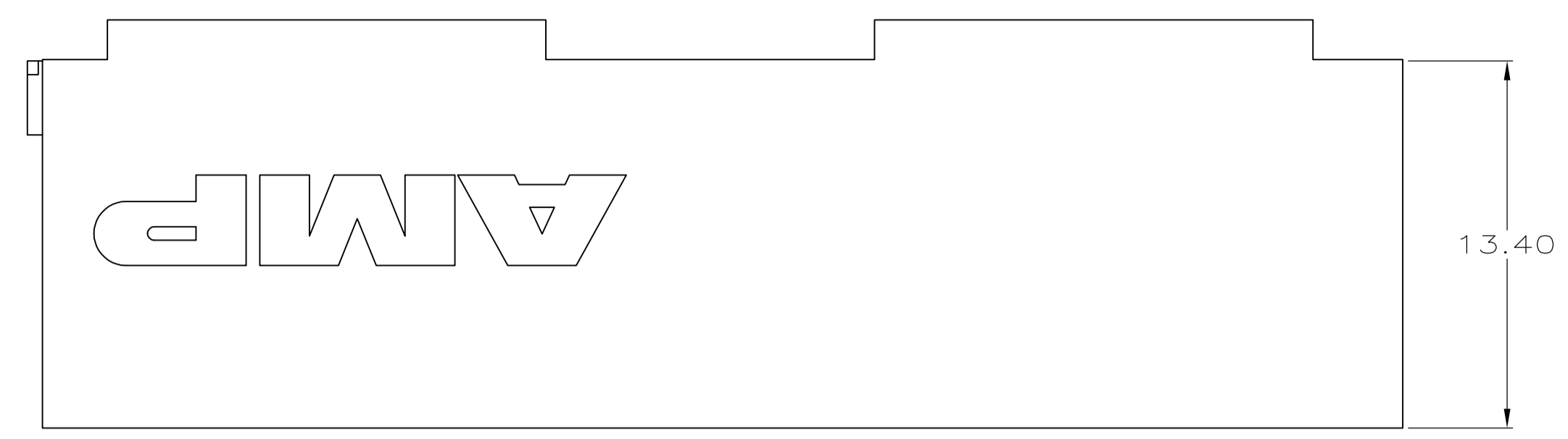


LOC		DIST		REVISIONS			
AD	47	SP	LTR	DESCRIPTION	DATE	DWN	APVD
		C		REV PER EC 0U1B-0192-01	27 JUN 01	BC	RP
		C1		REVISED PER ECO-10-000443	15JAN10	KK	AEG
		D		ECR-10-019054	15SEP10	DP	MQW



- 1 MATERIAL: GLASS FILLED POLYESTER.
- 2 PART NUMBER MARKED IN APPROXIMATE AREA SHOWN.
- 3 TO BE MEASURED AT BASE OF SHROUD.
- 4 OBSOLETE PARTS: OBSOLETE CIS STREAMLINING PER D.RENAUD/D.SINISI

OBSOLETE	1.90	<del>646479-7</del>
	1.70	646479-6
	1.50	646479-5
	1.30	646479-4
OBSOLETE	1.10	<del>646479-3</del>
	0.90	646479-2
		646479-1
	DIM Z	PART NUMBER

THIS DRAWING IS A CONTROLLED DOCUMENT		DWN T. SHUEY 6-16-98	AMP Incorporated Harrisburg, PA 17105-3608
DIMENSIONS: mm		CHK G. SKIPPER 11-23-98	NAME SHROUD, TYPE B,Z-PACK 2mm HM, 5 ROW, 175 POSITION
TOLERANCES UNLESS OTHERWISE SPECIFIED:		APVD G. SKIPPER 11-23-98	RESTRICTED TO
0-PLC ±		PRODUCT SPEC	SIZE CAGE CODE DRAWING NO
1-PLC ±		APPLICATION SPEC	A100779
2-PLC ±0.05		WEIGHT	646479
3-PLC ±		CUSTOMER DRAWING	SCALE 5:1 SHEET 1 OF 1 REV D
4-PLC ±			
ANGLES			
MATERIAL 1			
FINISH			