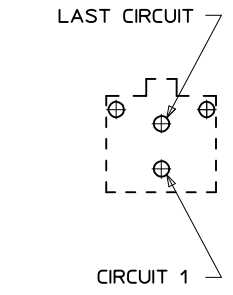
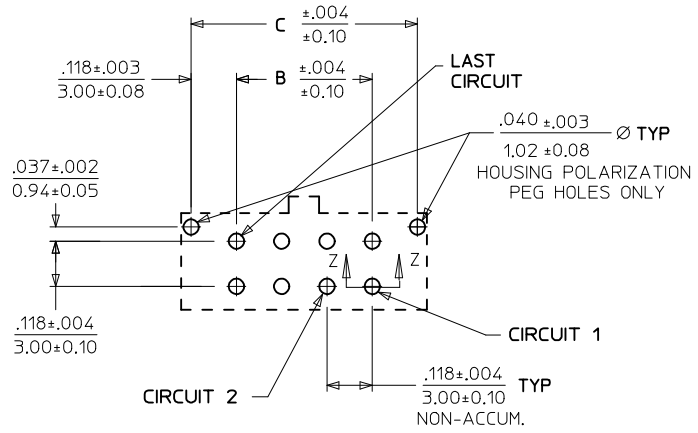
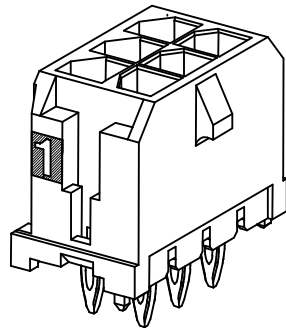
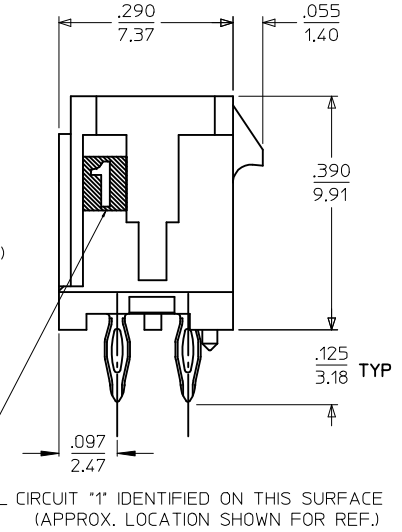
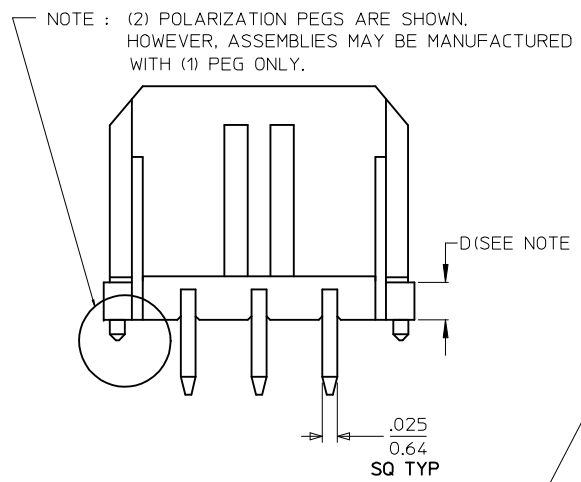


SECTION Z-Z  
SCALE : 20/1



PCB LAYOUT: COMPONENT SIDE  
RECOMMEND PCB THICKNESS: .093/2.36

PCB LAYOUT: 2 CKT HEADER

|      | FINISH: A    | FINISH: B    | FINISH: C    |
|------|--------------|--------------|--------------|
| CKTS | MATERIAL NO: | MATERIAL NO: | MATERIAL NO: |
| 02   | 44914-0201   | 44914-5202   | 44914-5203   |
| 04   | 44914-0401   | 44914-5402   | 44914-5403   |
| 06   | 44914-0601   | 44914-5602   | 44914-5603   |
| 08   | 44914-0801   | 44914-5802   | 44914-5803   |
| 10   | 44914-1001   | 44914-6002   | 44914-6003   |
| 12   | 44914-1201   | 44914-6202   | 44914-6203   |
| 14   | 44914-1401   | 44914-6402   | 44914-6403   |
| 16   | 44914-1601   | 44914-6602   | 44914-6603   |
| 18   | 44914-1801   | 44914-6802   | 44914-6803   |
| 20   | 44914-2001   | 44914-7002   | 44914-7003   |
| 22   | 44914-2201   | 44914-7202   | 44914-7203   |
| 24   | 44914-2401   | 44914-7402   | 44914-7403   |

| CKTS | A              | B              | C              |
|------|----------------|----------------|----------------|
| 02   | .262<br>6.65   | NA             | .236<br>6.00   |
| 04   | .380<br>9.65   | .118<br>3.00   | .354<br>9.00   |
| 06   | .498<br>12.65  | .236<br>6.00   | .472<br>12.00  |
| 08   | .616<br>15.65  | .354<br>9.00   | .591<br>15.00  |
| 10   | .734<br>18.65  | .472<br>12.00  | .709<br>18.00  |
| 12   | .852<br>21.65  | .591<br>15.00  | .827<br>21.00  |
| 14   | .970<br>24.65  | .709<br>18.00  | .945<br>24.00  |
| 16   | 1.088<br>27.65 | .827<br>21.00  | 1.063<br>27.00 |
| 18   | 1.206<br>30.65 | .945<br>24.00  | 1.181<br>30.00 |
| 20   | 1.325<br>33.65 | 1.063<br>27.00 | 1.299<br>33.00 |
| 22   | 1.443<br>36.65 | 1.181<br>30.00 | 1.417<br>36.00 |
| 24   | 1.561<br>39.65 | 1.299<br>33.00 | 1.535<br>39.00 |

- NOTES:**
- HOUSING MATERIAL: GLASS FILLED LIQUID CRYSTAL POLYMER, UL94V-0, COLOR: BLACK  
TERMINAL MATERIAL: MODIFIED TIN/BRASS ALLOY
  - FINISH: A = .000200/(0.0051) MIN. TIN OVER .000050/(0.0013) MIN. NICKEL PLATE.  
B = .000015/(0.00038) MINIMUM GOLD IN SELECTIVE AREA, .000100/(0.00254) MINIMUM MATTE TIN ON PCB TAILS, BOTH OVER .000050/(0.00127) MINIMUM NICKEL PLATE.  
C = .000030/(0.00076) MINIMUM GOLD IN SELECTIVE AREA, .000100/(0.00254) MINIMUM MATTE TIN ON PCB TAILS, BOTH OVER .000050/(0.00127) MINIMUM NICKEL PLATE.

- PRODUCT SPECIFICATION: PS-43045
- TRAY PACKAGED: SEE MOLEX DRAWING PK-70873-0314
- MATES WITH MICRO FIT (3.0) RECEPTACLE SERIES 43025
- HEADER INSTALLATION REQUIRES A MINIMUM FORCE OF 24LBS/(107 N) PER CIRCUIT DISTRIBUTED EQUALLY ACROSS THE ENTIRE HOUSING SURFACE.
- CIRCUIT SIZES 2-6: 'D' IS 0.265/6.74 FOR .010/0.25 STEP. CIRCUIT SIZES 8-24: 'D' IS 0.063/1.60 FOR .010/0.25 STEP.
- THIS PART CONFORMS TO CLASS B REQUIREMENTS OF COSMETIC SPECIFICATION PS-45499-002.

|  |  |                                       |   |                              |   |                        |
|--|--|---------------------------------------|---|------------------------------|---|------------------------|
| ADD TIN P/NS<br>EC NO: UCP2013-1276<br>DRAWING: NGUYEN 2012/10/05<br>CHKD: SSOUSEK 2012/10/05<br>APPR: FSMITH 2013/01/09 | QUALITY SYMBOLS<br>▽=0<br>▽=0<br>▽=0                 | GENERAL TOLERANCES (UNLESS SPECIFIED) | DIMENSION STYLE<br>IN/MM  | SCALE<br>---                 | DESIGN UNITS<br>METRIC  | THIRD ANGLE PROJECTION |
|  |  | 4 PLACES ± --- ± ---                  | DRAWN BY<br>SOUSEK  | DATE<br>2005/04/27           | TITLE<br>MICRO FIT HEADER<br>VERTICAL COMPLIANT PIN<br>TRAY PACKED, LEAD-FREE |                        |
|  |  | 3 PLACES ± --- ± .010                 | CHECKED BY<br>SOUSEK  | DATE<br>2005/04/28           |   |                        |
|  |  | 2 PLACES ± 0.25 ± .014                | APPROVED BY<br>SMITH  | DATE<br>2005/04/28           |   |                        |
| 1 PLACE ± 0.36 ± ---   | ANGULAR ±1/2°  |                                       | MATERIAL NO.<br>SEE CHART   | DOCUMENT NO.<br>SD-44914-002 | SHEET NO.<br>1 OF 1   |                        |
| 0 PLACE ± ±  | DRAFT WHERE APPLICABLE MUST REMAIN WITHIN DIMENSIONS |                                       | THIS DRAWING CONTAINS INFORMATION THAT IS PROPRIETARY TO MOLEX INCORPORATED AND SHOULD NOT BE USED WITHOUT WRITTEN PERMISSION |                              |   |                        |