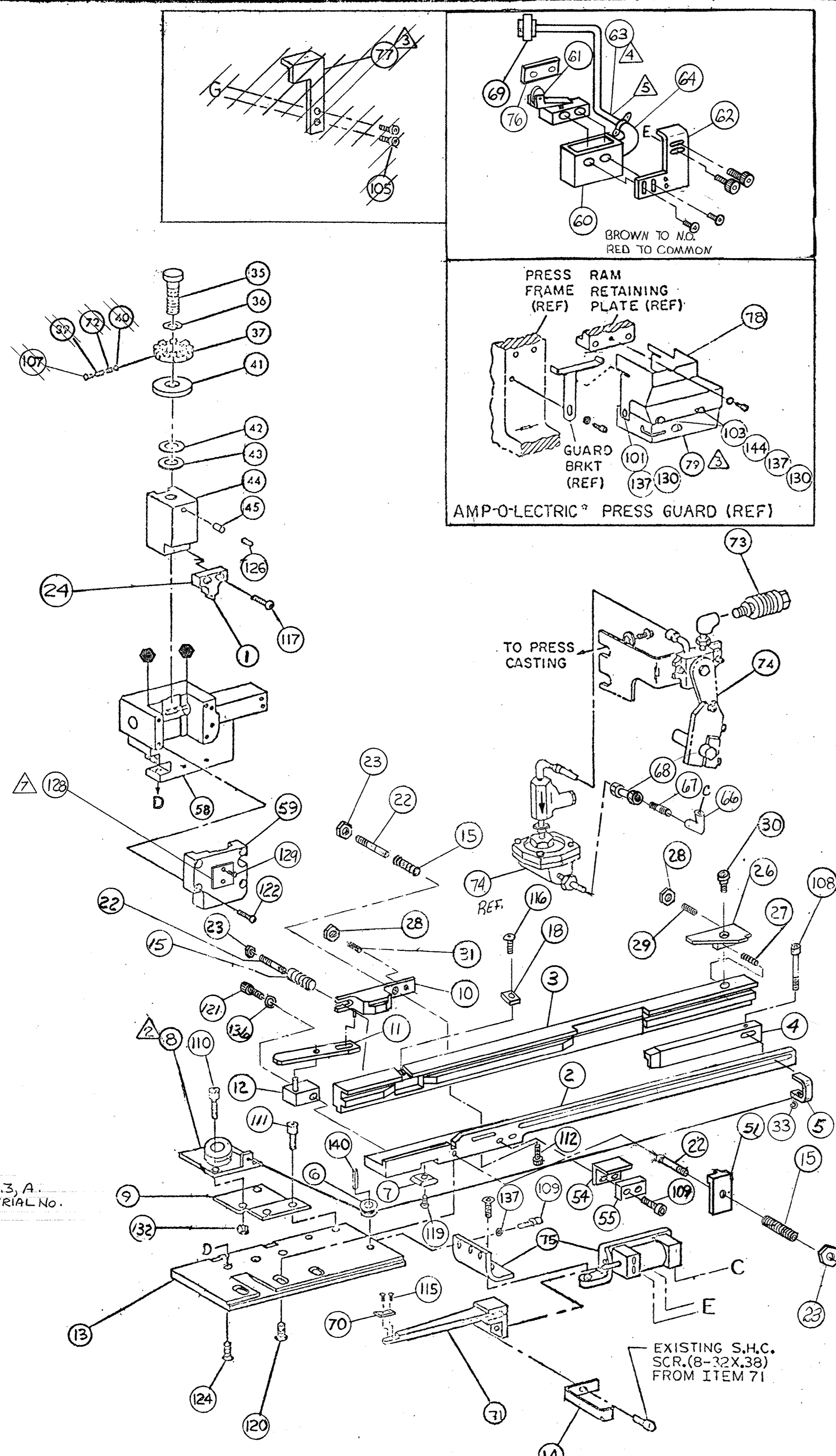


THIS DRAWING IS A CONTROLLED DOCUMENT.



- NOTES:**
- I ONLY THE ITEMS WITH QUANTITIES SPECIFIED ON PARTS LIST ARE USED ON THIS APPLICATOR.
  - ▲ GUARD MUST BE IN PLACE WHEN OPERATING APPLICATOR IN AMP-O-LECTRIC PRESS.
  - △ SEE DRAWINGS FOR COMPONENTS
  - △ SEE CUSTOMER MANUAL (CM 6128) BASIC AMP-O-LECTRIC PRESSES FOR INSTALLATION OF THIS INTERLOCK SWITCH
  - △ TERMINATED LIKE CLOSED END CONNECTOR (NOT FEED THRU)
  - △ IDENTIFY PER SPEC 106-2, PARA 3.3, A. STAMP PN 466727-1, MTA.156 & SERIAL NO.
- KEY:**
- RECOMMENDED SPARE PARTS.
  - ▲ LUBRICATE DAILY USING NO. 20 MACHINE OIL
  - GREASE LIGHTLY

| QTY | PART NO    | DESCRIPTION   | ITEM NO | QTY | PART NO   | DESCRIPTION                     | ITEM NO |
|-----|------------|---|---------|-----|-----------|---------------------------------|---------|
| 1   | 92073-1    | DOCUMENTATION PACKAGE                               | 145     | 1   | 461867-1  | CAP, RAM                        | 59      |
| 2   | 26928-3    | SPACER, SPLIT ROLLED (#8X.50) GUARD                 | 144     | 1   | 462179-1  | HOUSING                         | 58      |
|     |            |   | 143     |     |           |                                 | 57      |
|     |            |   | 142     |     |           |                                 | 56      |
|     |            |   | 141     | 1   | 684235-1  | BLOCK, RETAINER, FINGER         | 55      |
| 1   | 21029-4    | PIN, SLOT. SPG. (187X.62) PULLEY                    | 140     | 1   | 684236-1  | BRACKET, RETAINER, FINGER       | 54      |
|     |            |   | 139     |     |           |                                 | 53      |
|     |            |   | 138     |     |           |                                 | 52      |
| 3   | 22260-6    | WASHER, FLAT (#8) AIR FEED ASS'Y                    | 137     |     |           |                                 | 51      |
| 7   | 21023-6    | WASHER, FLAT (#8) GUARD                             | 136     | 1   | 68118-2   | LOCATOR, HOUSING                | 50      |
| 1   | 21024-3    | WASHER, LOCK (#6)                                   | 135     |     |           |                                 | 49      |
|     |            |   | 134     |     |           |                                 | 48      |
|     |            |   | 133     |     |           |                                 | 47      |
| 2   | 21022-3    | NUT, HEX. SELF-LKG (10-32) REEL, RETRIEVER          | 132     |     |           |                                 | 46      |
|     |            |   | 131     | 1   | 690191-1  | PLUG, NYLON                     | 45      |
| 3   | 21018-6    | NUT, HEX. MACH. (8-32) GUARD                        | 130     | 1   | 461865-1  | RAM                             | 44      |
| 2   | 21017-2    | SCR, DRIVE, # 2 X .19                               | 129     | 1   | 690125-1  | WASHER, LAMINATED               | 43      |
| 1   | 464249-1   | PLATE, IDENTIFICATION                               | 128     | 1   | 690124-3  | WASHER, RAM                     | 42      |
|     |            |   | 127     | 1   | 690223-1  | SPACER, DISC                    | 41      |
| 1   | 21009-2    | SCR, SOC. SET (1/4-20X.25) (LOC-WELL) RAM           | 126     | 1   | 23241-6   | BALL, STEEL                     | 40      |
|     |            |   | 125     | 1   | 690170-1  | SPRING, COMPRESSION             | 39      |
| 3   | 2-22733-9  | SCR, BTN. HD. SOC. CAP (1/4-20X.75) (LOC-WELL) PLT. | 124     |     |           |                                 | 38      |
|     |            |   | 123     | 1   | 679600-5  | DISC, WIRE                      | 37      |
| 4   | 2-21002-9  | SCR, BTN. HD. SOC. CAP (10-32X.75) CAP, RAM         | 122     | 1   | 22480-5   | WASHER, SPRING                  | 36      |
| 1   | 1-21002-8  | SCR, BTN. HD. SOC. CAP (6-32X.50) HOLDER, DRAG      | 121     | 1   | 690212-1  | POST, RAM                       | 35      |
| 3   | 2-21002-6  | SCR, BTN. HD. SOC. CAP (10-32X.38) TRACK, HOUS.     | 120     |     |           |                                 | 34      |
| 1   | 2-21002-6  | SCR, BTN. HD. SOC. CAP (10-32X.38) LOCATOR, F. T.   | 119     | 1   | 25745-1   | SPLIT RING                      | 33      |
|     |            |   | 118     |     |           |                                 | 32      |
| 2   | 2-21002-1  | SCR, BTN. HD. SOC. CAP (8-32X.38) STUFFER, WIRE     | 117     | 1   | 2-21006-3 | SCR, SOC. SET #4-40 X .38 LG.   | 31      |
| 1   | 1-21002-3  | SCR, BTN. HD. SOC. CAP (4-40 X .25) STOP, WIRE      | 116     | 1   | 21989-6   | SCR, SOC. SHLD. .188 DIA X .125 | 30      |
| 2   | 1-21000-4  | SCR, SOC. HD. SOC. CAP (4-40X.38) TIP, F. FINGER    | 115     | 1   | 2-21006-6 | SCR, SOC. SET #4-40 X .62 LG.   | 29      |
|     |            |   | 114     | 2   | 21018-4   | NUT, HEX. MACH #4-40            | 28      |
|     |            |   | 113     | 1   | 22278-5   | SPRING, COMPRESSION             | 27      |
| 5   | 1-21000-9  | SCR, SKT. HD. CAP (6-32 X .38) BLOCK, F. GUIDE      | 112     | 1   | 467328-1  | LATCH, PUSHER                   | 26      |
| 2   | 3-21000-4  | SCR, SKT. HD. CAP (10-32 X .38) MOUNT, RET. REEL    | 111     |     |           |                                 | 25      |
| 2   | 3-21000-5  | SCR, SKT. HD. CAP (10-32 X .50) REEL, RETRIEVER     | 110     | 1   | 681116-1  | HOLDER, WIRE STUFFER            | 24      |
| 5   | 2-21000-8  | SCR, SKT. HD. CAP (8-32X.62) AIR FEED ASS'Y         | 109     | 3   | 21022-2   | NUT, HEX. SELF LKG (8-32)       | 23      |
| 1   | 2-21000-4  | SCR, SKT. HD. CAP (6-32X.60) PUSHER, HOUSING        | 108     | 3   | 22354-6   | STUD, DRAG                      | 22      |
| 1   | 23030-1    | SCR, SKT. HD. CAP (6-32X.25) (LOC-WELL) DISC        | 107     |     |           |                                 | 21      |
|     |            |   | 106     |     |           |                                 | 20      |
|     |            |   | 105     |     |           |                                 | 19      |
| 2   | 7-21000-9  | SCR, SKT. HD. CAP (4-40X.18) GUARD, AIR CYL.        | 104     | 1   | 805406-1  | GUIDE, WIRE                     | 18      |
| 2   | 7-22468-4  | SCR, BIND. HD. MACH. (8-32X.88) GUARD               | 103     |     |           |                                 | 17      |
|     |            |   | 102     |     |           |                                 | 16      |
| 1   | 7-22468-0  | SCR, BIND. HD. MACH. (8-32X.38) GUARD               | 101     | 3   | 2-22280-6 | SPRING, DRAG                    | 15      |
| 1   | 461870-2   | GUARD, WINDOW                                       | 79      | 1   | 462299-1  | RELEASE, FEED                   | 14      |
| 1   | 457133-1   | SHROUD  | 78      | 1   | 461869-1  | PLATE, BASE                     | 13      |
| 1   | 463258-1   | GUARD, AIR CYLINDER                                 | 77      | 1   | 468805-1  | BLOCK, DRAG, PIYOT ASS'Y        | 12      |
| 1   | 465803-1   | NUT, MOUNTING                                       | 76      | 1   | 468806-1  | HANDLE, DRAG RELEASE            | 11      |
| 1   | 460277-5   | AIR FEED ASSEMBLY                                   | 75      | 1   | 461484-1  | DRAG                            | 10      |
| 1   | 692655-1   | AIR FEED VALVE ASSEMBLY - (92655-5)                 | 74      | 1   | 461864-1  | MOUNT, REEL                     | 9       |
| 1   | 24042-2    | VALVE, 3WAY SLEEVE (SHUT-OFF)                       | 73      | 1   | 462300-1  | REEL, RETRIEVER                 | 8       |
| 1   | 690603-1   | SPRING, ASSIST                                      | 72      | 1   | 461856-1  | LOCATOR, FEED TRACK             | 7       |
| 1   | 1-460680-1 | FEED FINGER ASSEMBLY                                | 71      | 1   | 461859-1  | PULLEY, PUSHER                  | 6       |
| 1   | 463090-3   | TIP, FEED FINGER                                    | 70      | 1   | 468810-1  | BRKT, CABLE CONNECTOR           | 5       |
| 1   | 22787-2    | CONNECTOR, BOX                                      | 69      | 1   | 468808-1  | PUSHER, HOUSING                 | 4       |
| 1   | 22302-1    | COUPLING, FEMALE                                    | 68      | 1   | 468815-1  | GUIDE, HOUSING                  | 3       |
| 1   | 22313-5    | NIPPLE  | 67      | 1   | 468809-1  | TRACK, HOUSING                  | 2       |
| 1   | 22306-1    | ELBOW, STREET 90°                                   | 66      | 1   | 681117-1  | STUFFER, WIRE INSERT            | 1       |
|     |            |   | 65      |     |           |                                 |         |
| 1   | 22803-1    | CONNECTOR, 90° BOX                                  | 64      |     |           |                                 |         |
| 1   | 465918-1   | WIRE, SJO TERMINATED                                | 63      |     |           |                                 |         |
| 1   | 462453-2   | BRACKET, SWITCH                                     | 62      |     |           |                                 |         |
| 1   | 23699-1    | SWITCH, MICRO                                       | 61      |     |           |                                 |         |
| 1   | 23486-1    | COVER, MICRO SWITCH                                 | 60      |     |           |                                 |         |

| REMARKS                      | NO             | REV            |
|------------------------------|----------------|----------------|
| APPL USED ON MACHINE PART NO | MACH SERIAL NO | DISTRIBUTION   |
| CUSTOMER NAME                | APPL SERIAL NO | ORIGINAL       |
| ADDRESS                      | PURCHASE ORDER | CUSTOMER COPY  |
| CITY                         | ENG APP        | FIELD ENG COPY |

| WIRE RANGE | INSULATION RANGE | PRESS NO |
|------------|------------------|----------|
| #18 - #26  | .070 MAX DIA.    | 565435-5 |

**FOR INSERTION DEPTH OF WIRE IN HOUSING SEE AMP SPECIFICATION 114-1020**

**I.D. PLATE (REF) 46249-1**

| DATE          | BY       | DESCRIPTION              |
|---------------|----------|--------------------------|
| 01/50-0734-01 | CE 7-01  | N ECN R 7591             |
| 01/50-9329-39 | TL 5-99  | M ECN R-7209             |
| 01/50-7538-97 | UC 3-97  | L2 REV PER R-5570        |
| 01/50-5163-94 | MTB 2-94 | L1 REV PER SUPPLEN R5201 |
| ECN A-315592  |          | REV PER ECN R 5201       |
| ECN A-230790  |          | REV PER ECN R 4954       |
| ECN A163288   |          | REV PER ECN R 4954       |

NAME: MTA COMM.156 (CABLE TO HOUSING)

DATE: 00779 CUSTOMER AND ASSEMBLY DRAWING