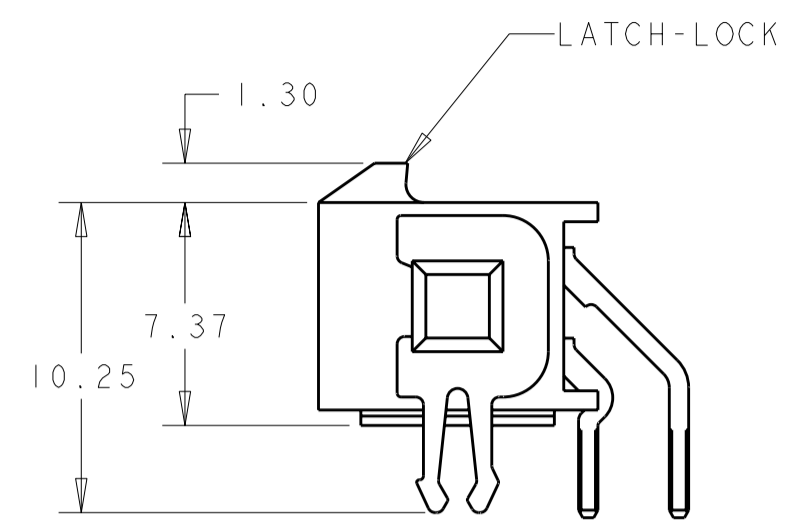
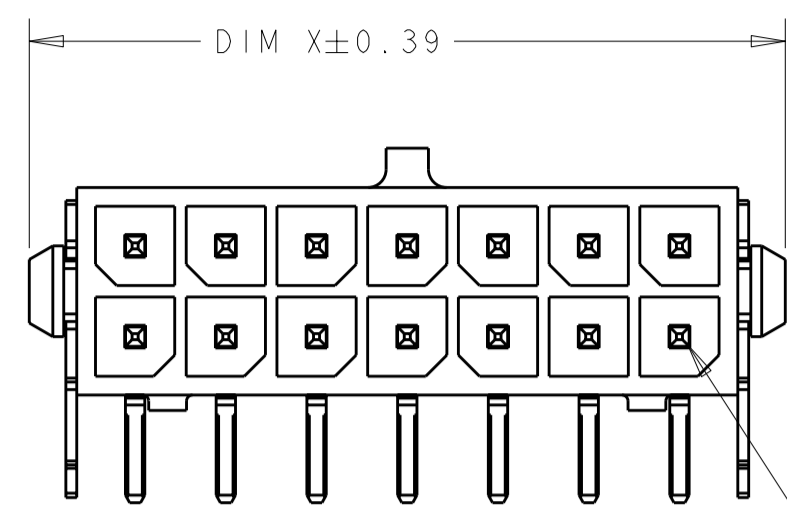
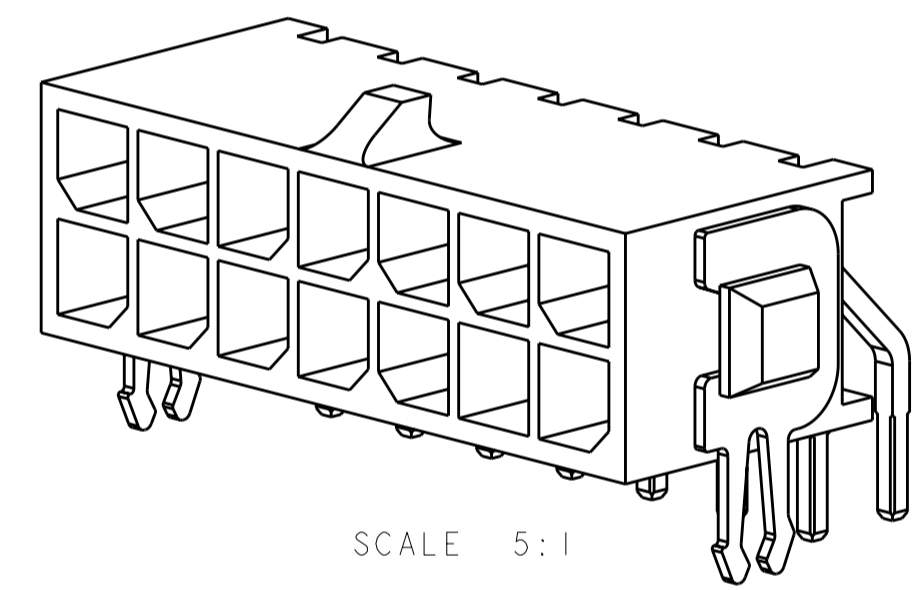
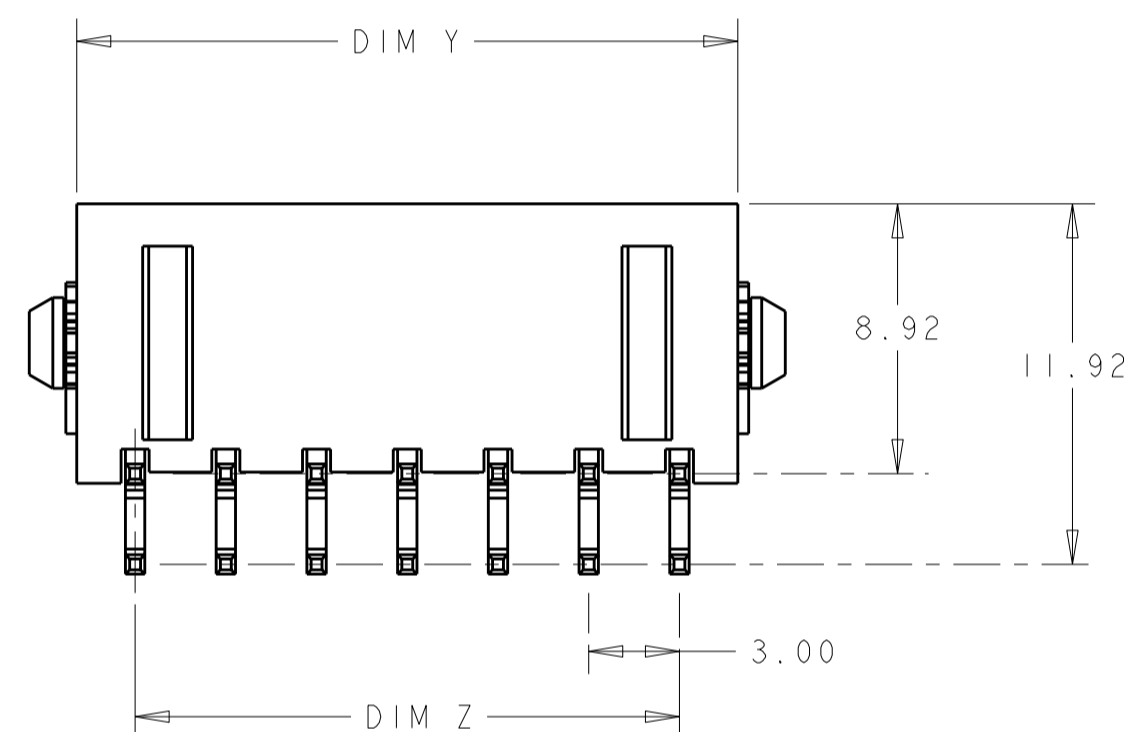


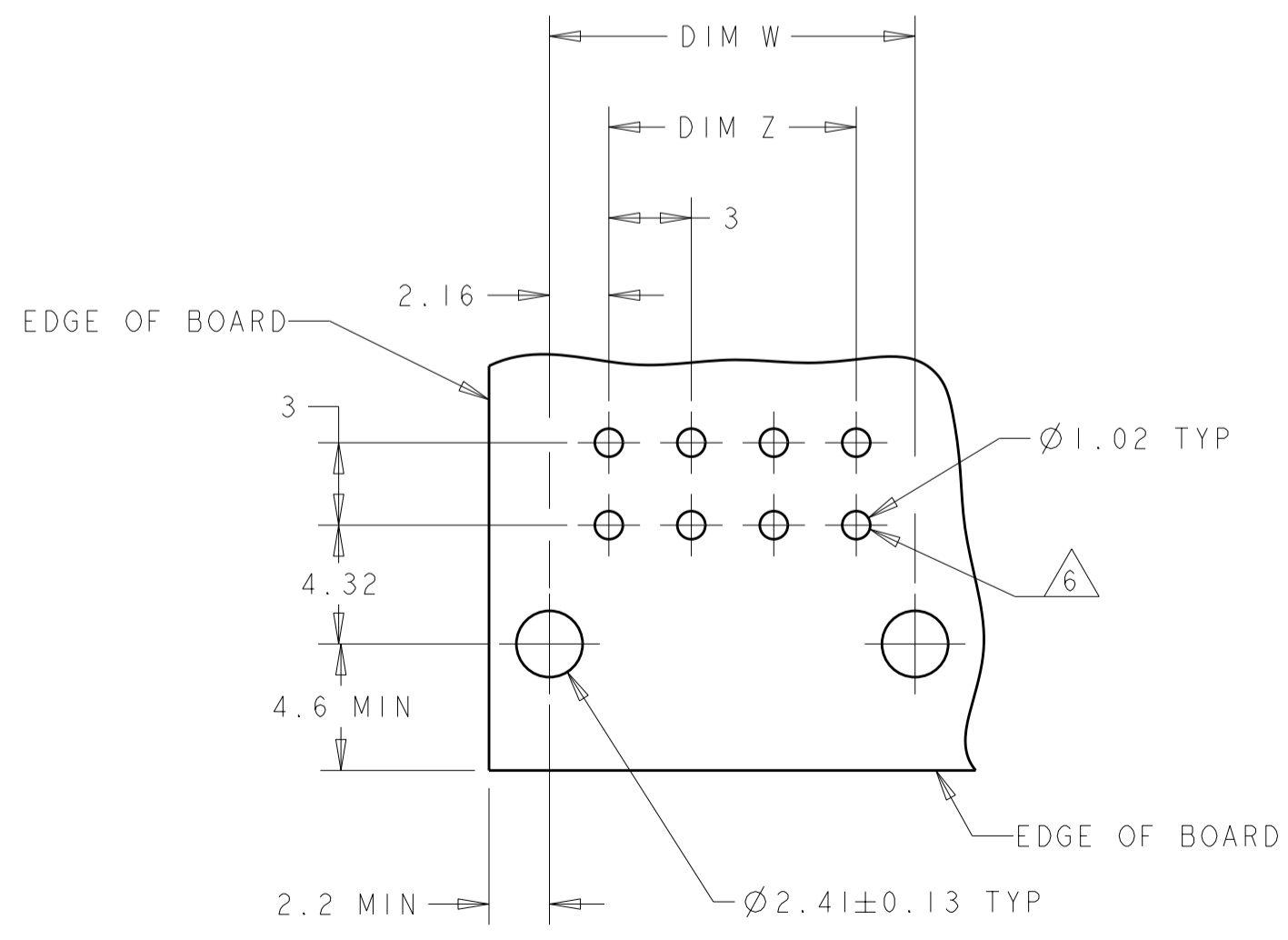
LOC	DIST	REVISIONS			
P	LTR	DESCRIPTION	DATE	DWN	APVD
CM	00	F2	REVISED PER ECR-12-008993	24MAY2012	KH TM



- 1 MATERIAL;
CONTACTS - BRASS.
HOUSING - UL 94V-0 RATED HIGH TEMP NYLON, COLOR; BLACK.
- 2 PLATING;
CONTACTS - 0.76µm MINIMUM GOLD OVER 2.54µm MINIMUM NICKEL ON MATING AREA. 2.54µm TIN-LEAD MINIMUM OVER 2.54µm NICKEL MINIMUM ON SOLDER TAILS.
HOLDDOWNS - 2.54µm TIN-LEAD.
- 4 RECOMMENDED PC BOARD THICKNESS OF 1.57.
- 5 PLATING;
CONTACTS - 0.76µm MINIMUM GOLD OVER 2.54µm MINIMUM NICKEL ON MATING AREA. 2.54µm MATTE TIN MINIMUM OVER 2.54µm NICKEL MINIMUM ON SOLDER TAILS.
HOLDDOWNS - 2.54µm MATTE TIN.
- 6 CIRCUIT NUMBER 1 IS LOCATED AT THE BOTTOM RIGHT WITH THE LATCH-LOCK ON TOP LOOKING INTO THE CAVITIES



FINISH	DIM Y	DIM W	DIM Z	DIM X	NO. OF POSN.	PART NUMBER
5	36.86	37.30	33.00	40.00	24	5-794679-4
5	33.86	34.30	30.00	37.00	22	5-794679-2
5	30.86	31.30	27.00	34.00	20	5-794679-0
5	27.86	28.30	24.00	31.00	18	4-794679-8
5	24.86	25.30	21.00	28.00	16	4-794679-6
5	21.86	22.30	18.00	25.00	14	4-794679-4
5	18.86	19.30	15.00	22.00	12	4-794679-2
5	15.86	16.30	12.00	19.00	10	4-794679-0
5	12.86	13.30	9.00	16.00	8	3-794679-8
5	9.86	10.30	6.00	13.00	6	3-794679-6
5	6.86	7.30	3.00	10.00	4	3-794679-4
5	3.86	4.30	-	7.00	2	3-794679-2
2	36.86	37.30	33.00	40.00	24	2-794679-4
2	33.86	34.30	30.00	37.00	22	2-794679-2
2	30.86	31.30	27.00	34.00	20	2-794679-0
2	27.86	28.30	24.00	31.00	18	1-794679-8
2	24.86	25.30	21.00	28.00	16	1-794679-6
2	21.86	22.30	18.00	25.00	14	1-794679-4
2	18.86	19.30	15.00	22.00	12	1-794679-2
2	15.86	16.30	12.00	19.00	10	1-794679-0
2	12.86	13.30	9.00	16.00	8	794679-8
2	9.86	10.30	6.00	13.00	6	794679-6
2	6.86	7.30	3.00	10.00	4	794679-4
2	3.86	4.30	-	7.00	2	794679-2



RECOMMENDED PCB LAYOUT (COMPONENT SIDE)

THIS DRAWING IS A CONTROLLED DOCUMENT.

DWN B. HAYMAKER 12AUG99
 CHK K. COBLE 12AUG99
 APVD K. COBLE 12AUG99

TE Connectivity

NAME THRU-HOLE, RIGHT ANGLE, 30 GOLD HEADER, MECHANICAL BOARDLOCK, DUAL ROW, MICRO MATE-N-LOK™

SIZE A2 CAGE CODE 0779 DRAWING NO. 794679 RESTRICTED TO

MATERIAL SEE TABLE

PRODUCT SPEC -
 APPLICATION SPEC -
 WEIGHT -

SCALE 4:1 SHEET 1 OF 1 REV F2