

1

2

3

4

| PRODUCT NO. | ROWS | POWER | | SIGNAL | | | | | | POWER | | E2 | |
|-----------------------|------------------|-------|----|--------|---|---|---|---|---|-------|----|----|----|
| | | E1 | P1 | P2 | 1 | 2 | 3 | 4 | 5 | 6 | P3 | | P4 |
| 51952-226-- NOTE ③ | D C B A | | PC | PC | G | G | G | G | G | G | PC | PC | |

A

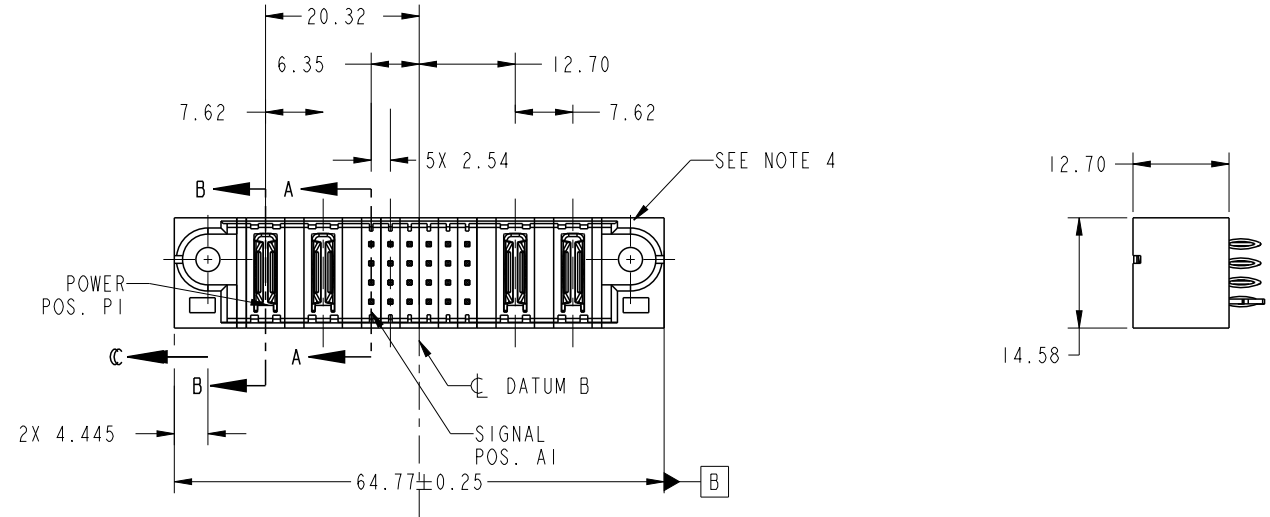
A

B

B

C

C



| CODE | DIM "M" MATING LENGTH | CONTACT TYPE |
|------|-----------------------|--------------|
| PC | [N/A] | POWER |
| G | [6.86] | SIGNAL |
| K | [5.59] | SIGNAL |
| HA | [N/A] | HOLD-DOWN |



Copyright FCI.

D

D

| | | | | | | | | | | | |
|---|---------------------------------------|-------|-------|-------------|---|----------------|------------------------|--------------|----------|-------|-----|
| spec ref | See Notes | | dr | Luo Weller | 2012/08/28 | projection | MM | size | A4 | scale | 1:1 |
| tolerance std | TOLERANCES UNLESS OTHERWISE SPECIFIED | | eng | Ruan MT | 2014/09/03 | | | ecn no | - | | |
| See Notes | | | chr | - | - | | | rel level | Released | | |
| surface <input checked="" type="checkbox"/> | linear | 0.X | ±0.50 | | title 2ACP + 24S + 2ACP VERTICAL PRESS-FIT HEADER | dwg no | 51952-226 | rev | A | | |
| | | 0.XX | ±0.25 | | | | | | | | |
| | | 0.XXX | ±0.10 | | | | | | | | |
| | angular | 0° | ±2° | www.fci.com | cat. no. | &model_name | Product - Customer Drw | sheet 1 of 4 | | | |

PrdE File - REV C - 2009-06-09

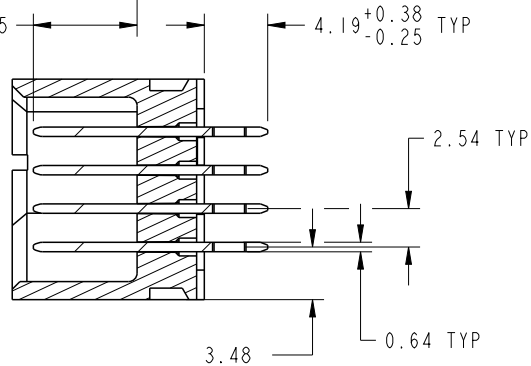
2

3

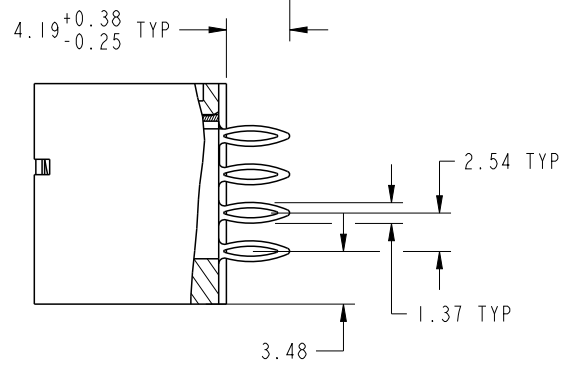
4

PRODUCT NUMBER
51952-226--
NOTE 3

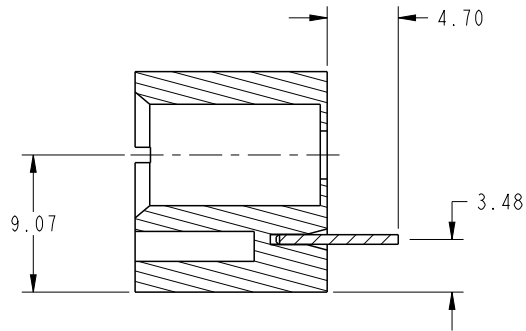
DIM "M" ±0.25



SECTION A-A
SCALE 2:1



SECTION B-B
SCALE 2:1



SECTION C-C
SCALE 2:1

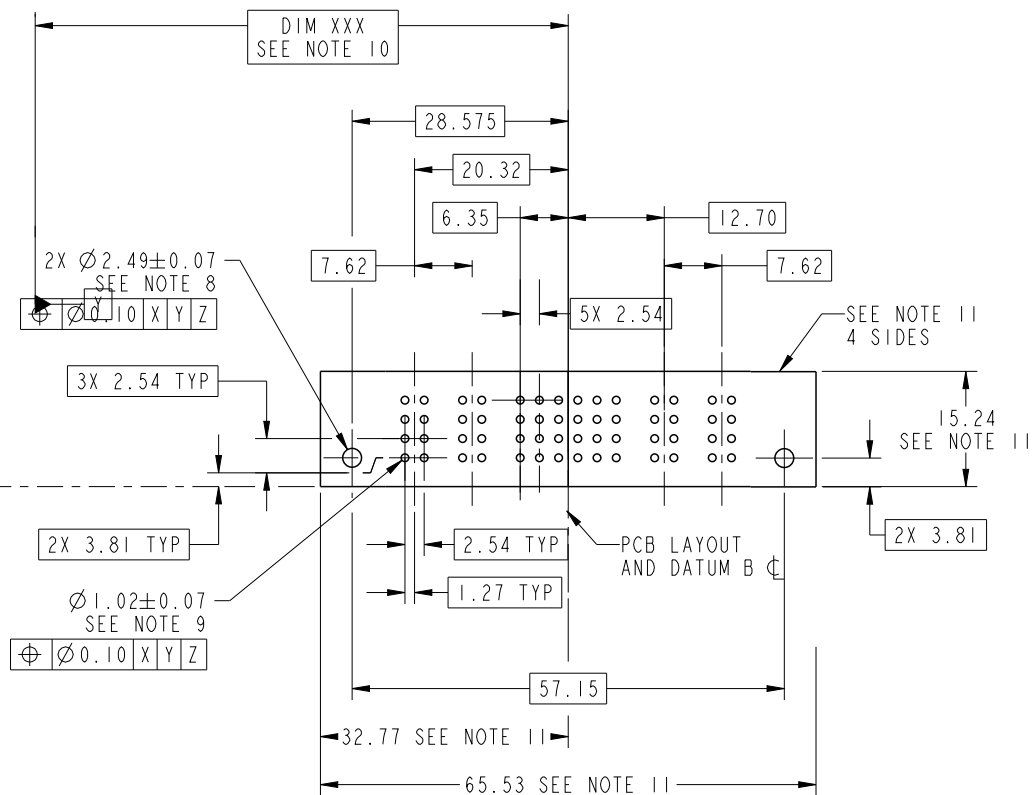
| | | | | | | | | | | | |
|-------------|----------------|------------|----------------|------------------------|-------------------|----------|--------------|-----|-----------|-----|---|
| dr | Luo Weller | 2012/08/28 | projection | MM | size | A4 | scale | 1:1 | | | |
| eng | Ruan MT | 2014/09/03 | | | ecn no | - | | | | | |
| chr | - | - | | | rel level | Released | | | | | |
| appr | Pei-Ming Zheng | 2014/09/03 | product family | PwrBlade | | | | | | | |
| | | title | | | 2ACP + 24S + 2ACP | | dwg no | | 51952-226 | rev | A |
| www.fci.com | | cat. no. | &model_name | Product - Customer Drw | | | sheet 2 of 4 | | | | |



Copyright FCI.

PRODUCT NUMBER

51952-226--
NOTE 3



RECOMMENDED PCB LAYOUT

| | | | | | | | | | | | |
|-------------|----------------|------------|----------------|-------------|-------------------|------------------------|--------|-----|--------------|-----|---|
| dr | Luo Weller | 2012/08/28 | projection | MM | size | A4 | scale | 1:1 | | | |
| eng | Ruan MT | 2014/09/03 | | | ecn no | - | | | | | |
| chr | - | - | | | rel level | Released | | | | | |
| appr | Pei-Ming Zheng | 2014/09/03 | product family | PwrBlade | | | | | | | |
| | | title | | | 2ACP + 24S + 2ACP | | dwg no | | 51952-226 | rev | A |
| www.fci.com | | cat. no. | | &model_name | | Product - Customer Drw | | | sheet 3 of 4 | | |

PRODUCT NUMBER

51952-226__
NOTE 3

NOTES:

1. DIMENSIONS AND TOLERANCES ARE IN ACCORDANCE WITH ASME Y14.5M, 1994 UNLESS OTHERWISE SPECIFIED.

CONNECTOR NOTES:

- ② HOUSING MATERIAL: UL 94 V-0 GLASS FILLED HIGH-TEMP THERMOPLASTIC
POWER CONTACT MATERIAL: COPPER ALLOY
SIGNAL PIN MATERIAL: COPPER ALLOY
 - 3. SEE ITEM 3 & 4 IN PRINT 10064183 FOR PLATING SPEC OF 51952-226 AND 51952-226LF RESPECTIVELY.
 - ④ MANUFACTURER'S NAME, DATE CODE AND OPTIONAL P/N TO APPEAR ON THIS SURFACE. THE MARK CAN BE OMITTED IF THERE IS NOT ENOUGH SPACE ON THIS SURFACE.
 - 5. PRODUCT SPECIFICATION GS-12-149.
APPLICATION SPECIFICATION BUS-20-067.
 - 6. PACKAGED IN TRAYS.
- PCB NOTES:
- 7. ALL HOLE DIAMETERS ARE FINISHED HOLE SIZE.
 - 8. MOUNTING HOLES, WHERE APPLICABLE, ARE UNPLATED.

⑨ $\varnothing 1.151 \pm 0.025$ DRILLED HOLES PLATED WITH 0.008 MIN SnPb OR Sn OVER .001 [0.03] TO 0.08 Cu PLATING TO ACHIEVE $\varnothing 1.02 \pm 0.07$ HOLE.

⑩ "DIM XXX" TO BE DETERMINED BY THE CUSTOMER.

⑪ CONNECTOR KEEP-OUT ZONE.

| | | | | | | | | |
|-------------|----------------|------------|----------------|------------------------|---|---------------------|-----------|----------|
| dr | Luo Weller | 2012/08/28 | projection | MM | size | A4 | scale | 1:1 |
| eng | Ruan MT | 2014/09/03 | | | ecn no | - | | |
| chr | - | - | | | product family | PwrBlade | rel level | Released |
| appr | Pei-Ming Zheng | 2014/09/03 | | | title 2ACP + 24S + 2ACP VERTICAL PRESS-FIT HEADER | dwg no 51952-226 | rev A | |
| www.fci.com | | cat. no. | &model_name | Product - Customer Drw | sheet 4 of 4 | | | |



Copyright FCI.