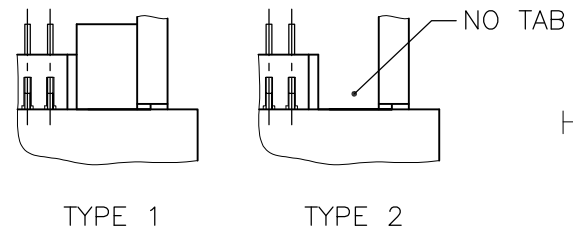
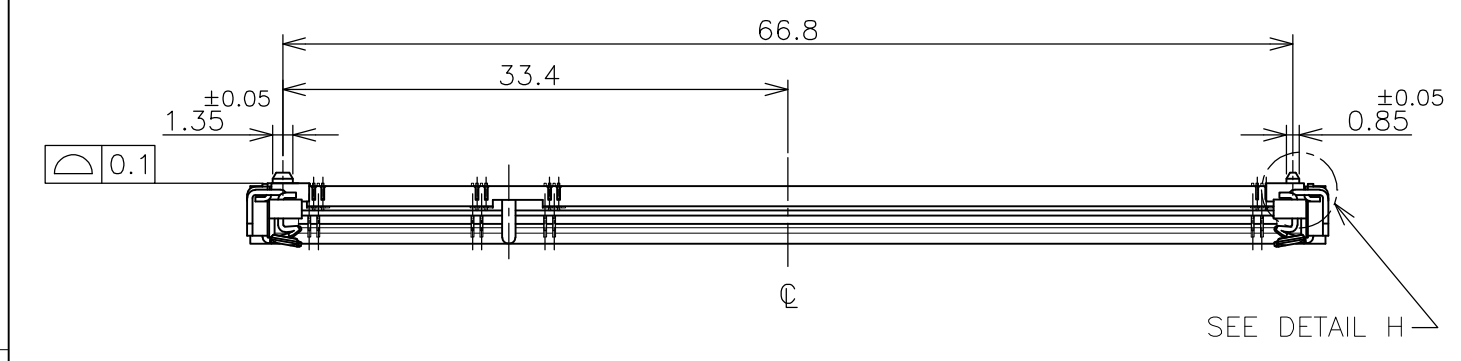
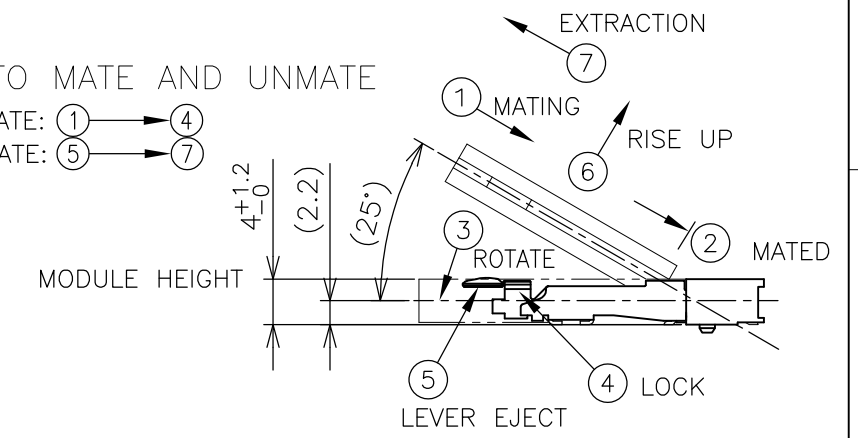
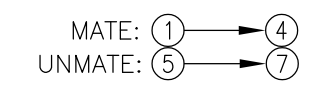


THIS DRAWING IS UNPUBLISHED. RELEASED FOR PUBLICATION OCT ,2001.
 © COPYRIGHT 2001 By - ALL RIGHTS RESERVED.

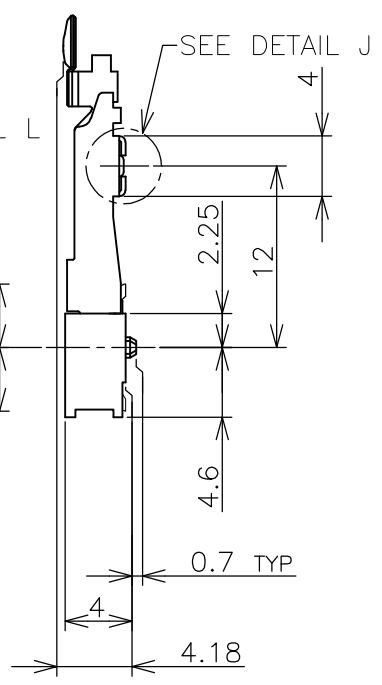
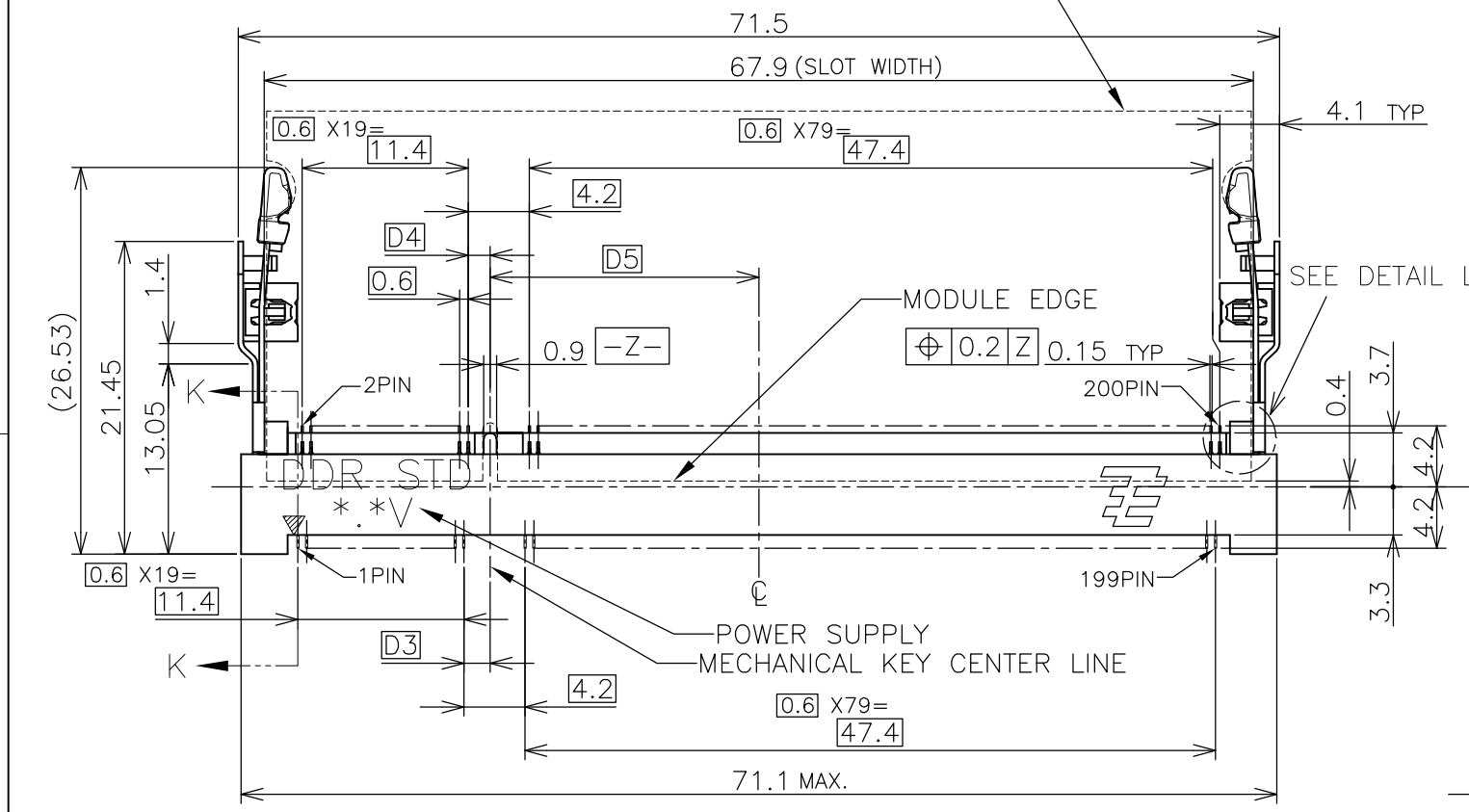
LOC	DIST	REVISIONS					
		P	LTR	DESCRIPTION	DATE	DWN	APVD
J		G2		REVISED PER ECO-11-005033	28MAR11	RK	HMR



HOW TO MATE AND UNMATE

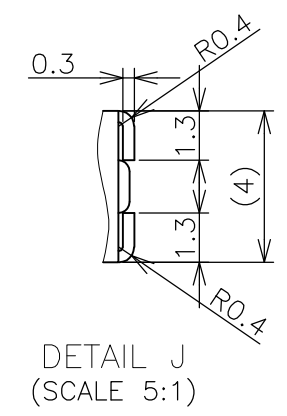
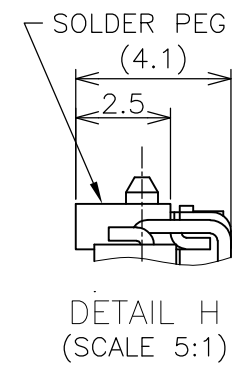
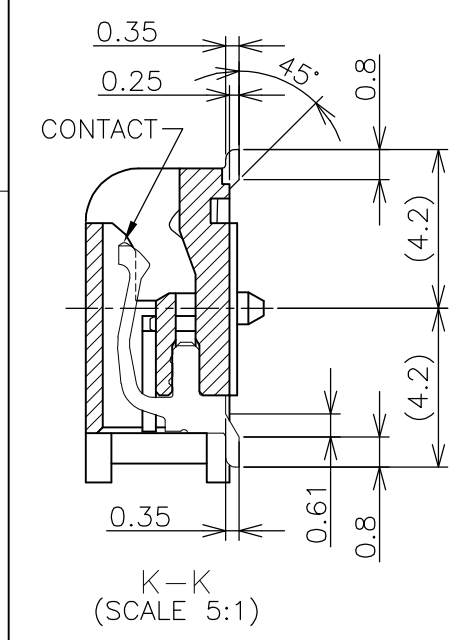


RECOMMENDED MATING P.C.B OUTLINE



(APPLIED TO SHEET 1-2)

- MATERIAL ; HOUSING: HIGH TEMPERATURE THERMO PLASTIC UL94V-0
CONTACT: COPPER ARROY
LOCK LEVER STAINLESS STEEL
SOLDER PEG: COPPER ARROY
- FINISH ; CONTACT AREA: GOLD FLASH ON 0.0013MIN ALL OVER NICKEL.
SOLDERING AREA: GOLD FLASH PLT.
SOLDER PEG: TIN PLATING.
- MECHANICAL KEY POSITION OF CONNECTOR SEE TABLE.
- TOLERANCES NON-CUMULATIVE.
- NOT TO SCALE.
- INSIDE MUST BE RESIST COAT EXCEPT SOLDER PATTERN.
- IF THE MODULE DOESN'T INSERT AND LOCK IN THE LATCH SMOOTHLY, OPEN WIDE BOTH LATCHES BY MANUAL. AND THE MODULE MUST BE INSERTED AND LOCKED IN THE LATCH.

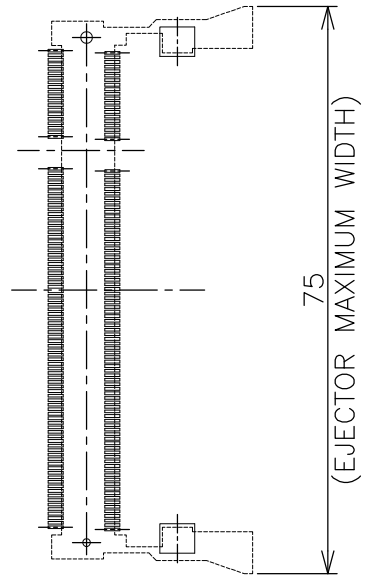


TYPE 2	AVAILABLE	BOSSLESS	1.8V (DDR2)	17.55	2.4	2.7	200	1-1565691-4
TYPE 2	AVAILABLE	—H—	1.8V (DDR2)	17.55	2.4	2.7	200	1565691-4
TYPE 1	AVAILABLE	BOSSLESS	2.5V (DDR1)	18.45	1.5	1.8	200	1-1565691-1
TYPE 1	AVAILABLE	—H—	2.5V (DDR1)	18.45	1.5	1.8	200	1565691-1
TAB TYPE	TOOLING STATUS	REMARK	POWER SUPPLY (TYPE)	D5	D4	D3	POS	PART NO.
THIS DRAWING IS A CONTROLLED DOCUMENT.				DWN	14JUL10		TE Connectivity DDR1 & DDR2 SODIMM SOCKET 0.6mm PITCH 200POS LOW PROFILE STANDARD TYPE	
				CHK	14JUL10			
				APVD	14JUL10			
				PRODUCT SPEC	NAME			
DIMENSIONS: MM				TOLERANCES UNLESS OTHERWISE SPECIFIED:		APPLICATION SPEC		108-5701
				0 PLC ± 0.3		SIZE		CAGE CODE
				1 PLC ± 0.3		DRAWING NO		RESTRICTED TO
				2 PLC ± 0.3		A300779		C-1565691
				3 PLC ± 0.3		WEIGHT		SCALE
				4 PLC ± 0.3		3.2g		SHEET
				ANGLES ± 3'		CUSTOMER DRAWING		1 OF 4
MATERIAL				FINISH		REV		G2

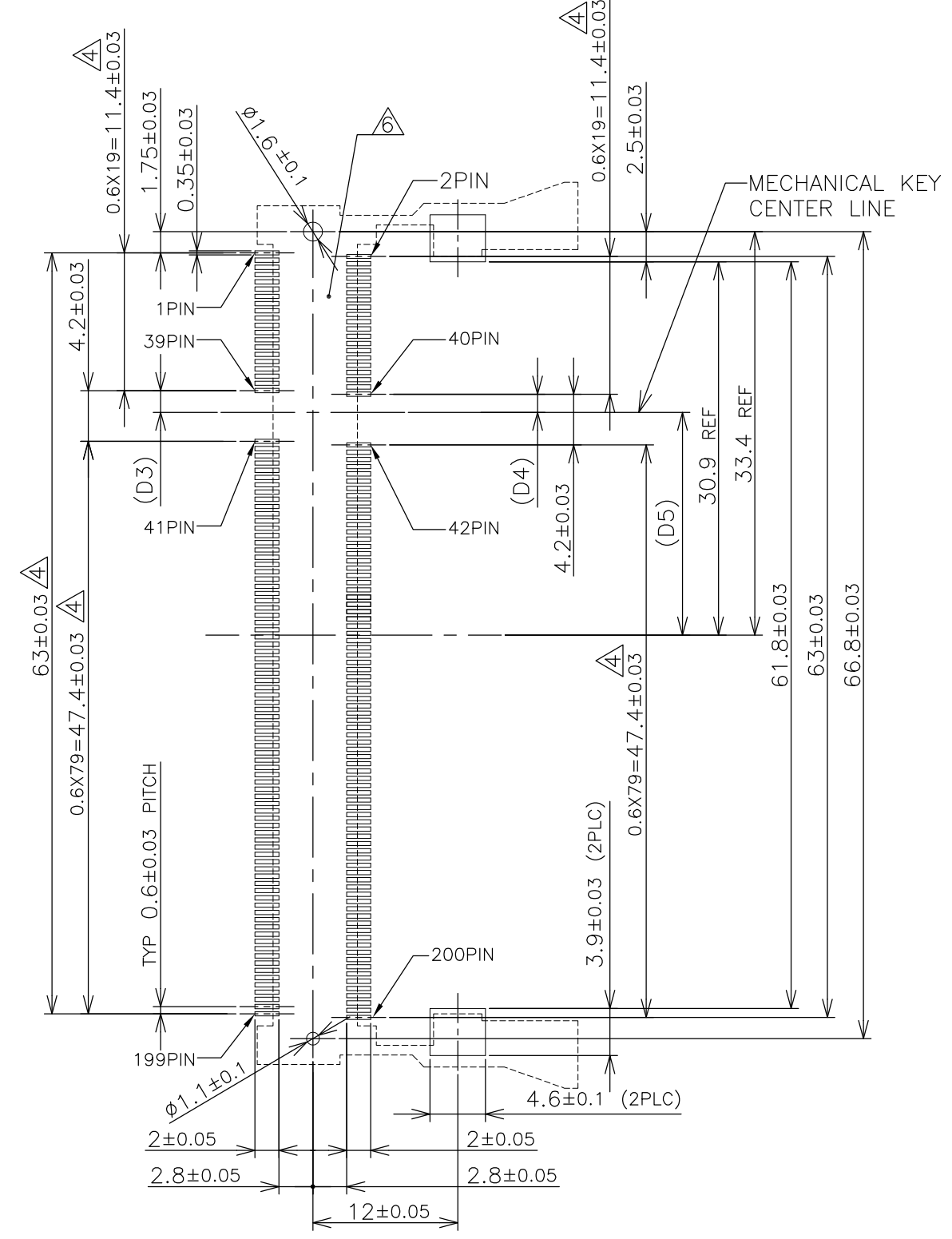
THIS DRAWING IS UNPUBLISHED. RELEASED FOR PUBLICATION OCT ,2001.
 © COPYRIGHT 2001 By - ALL RIGHTS RESERVED.

LOC	DIST	REVISIONS					
J		P	LTR	DESCRIPTION	DATE	DWN	APVD
		-		SEE SHEET 1	-	-	-

REFERENCE P.C. BOARD PATTERN LAYOUT (CONNECTOR MOUNTING SIDE)



REAL SIZE (SCALE 1:1)

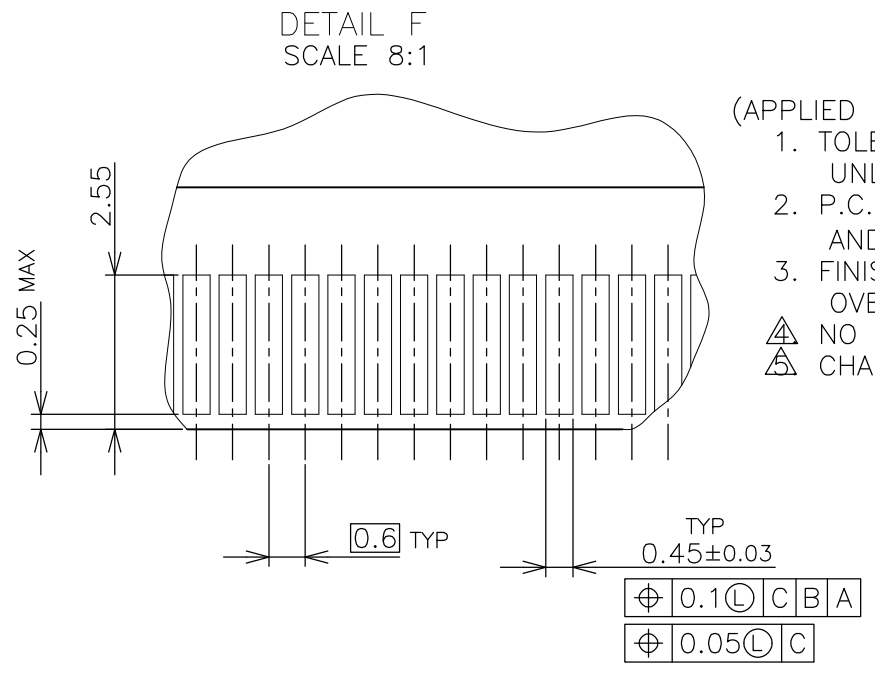
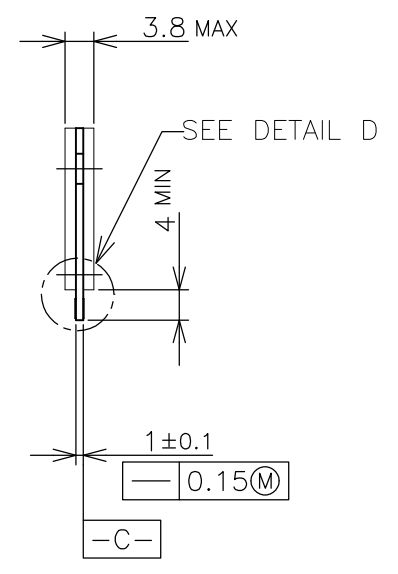
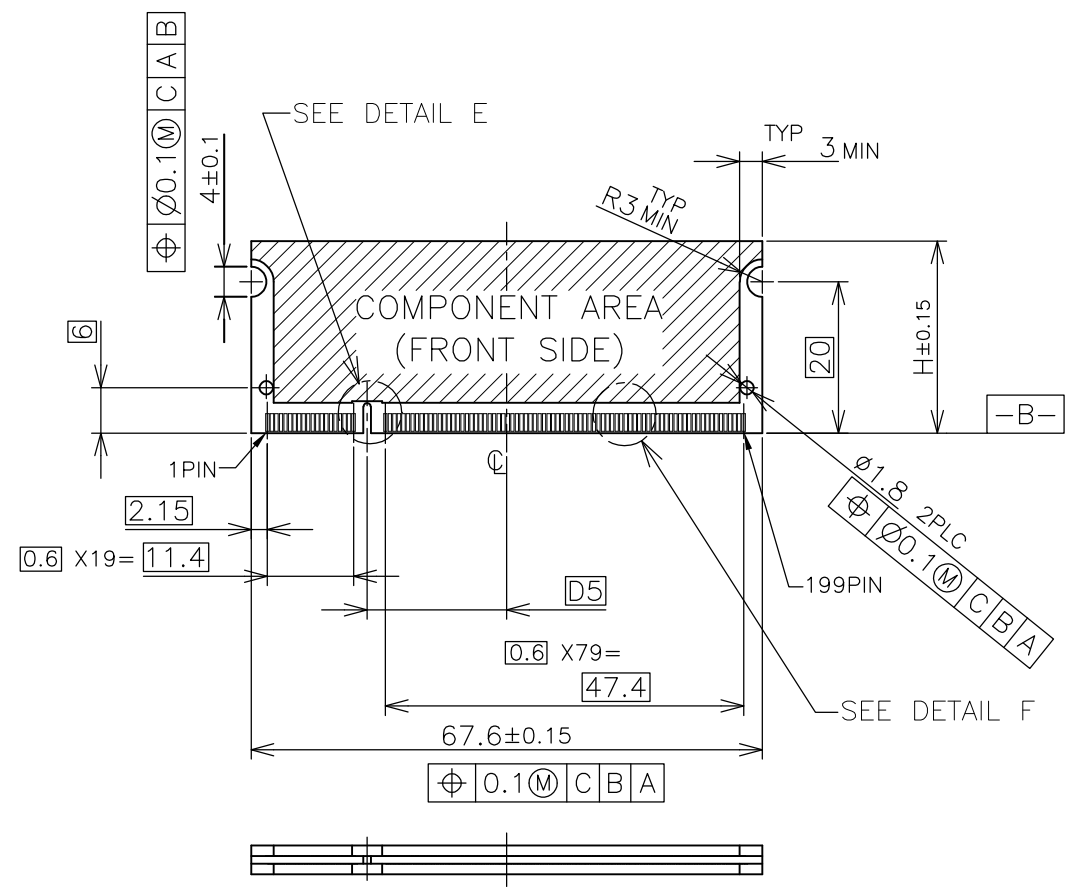


1.8V	17.55	2.4	2.7
2.5V	18.45	1.5	1.8
POWER SUPPLY	D5	D4	D3

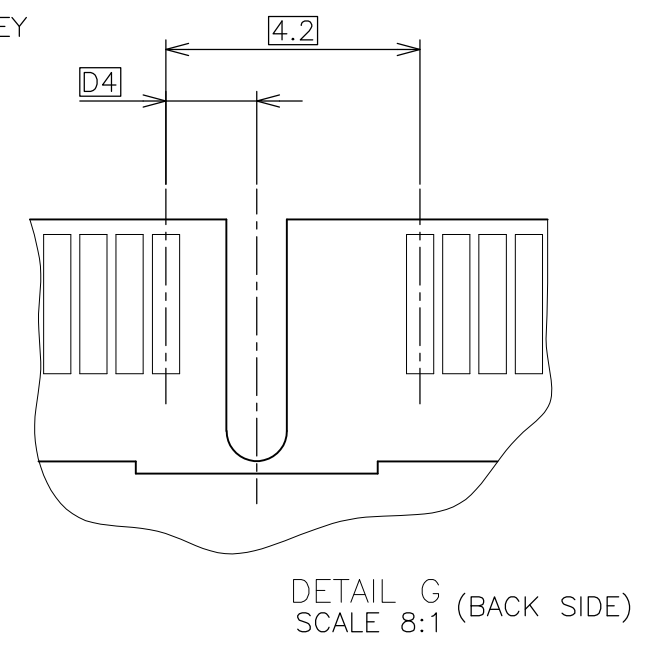
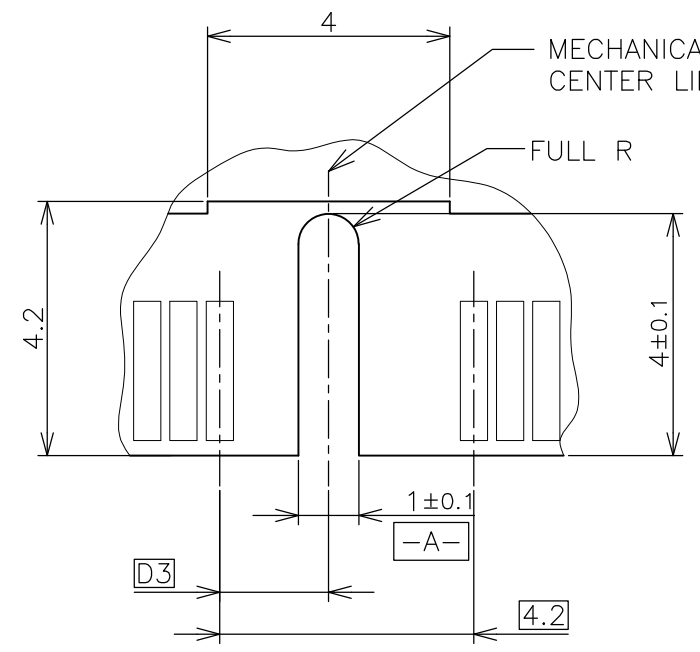
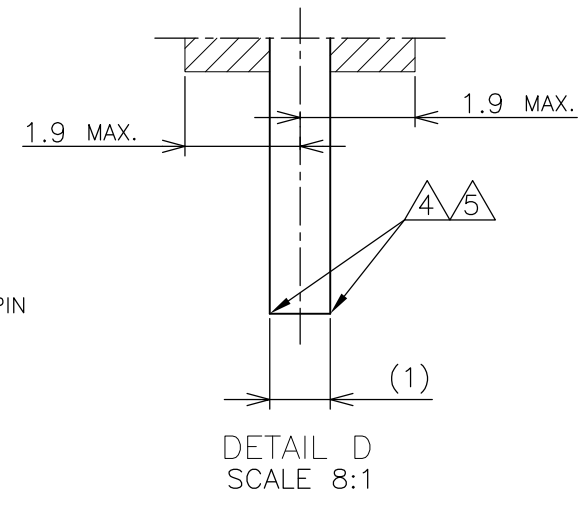
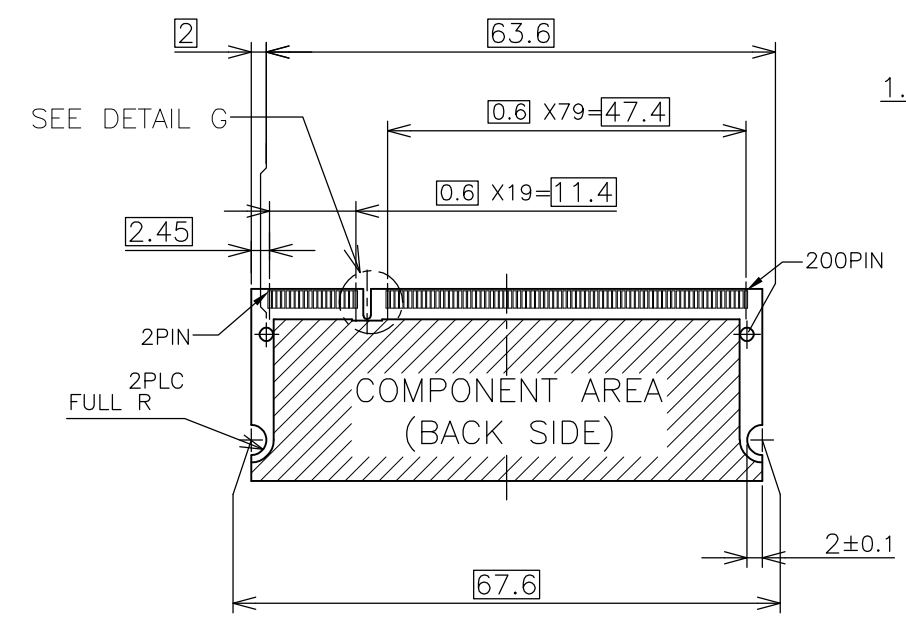
THIS DRAWING IS A CONTROLLED DOCUMENT.		DWN	STE TE Connectivity			
DIMENSIONS: MM		CHK				
TOLERANCES UNLESS OTHERWISE SPECIFIED:		APVD	NAME			
0 PLC ±		PRODUCT SPEC	DDR1 & DDR2 SODIMM SOCKET			
1 PLC ±		APPLICATION SPEC	0.6mm PITCH 200POS			
2 PLC ±		WEIGHT	LOW PROFILE STANDARD TYPE			
3 PLC ±		CUSTOMER DRAWING	SIZE	CAGE CODE	DRAWING NO	RESTRICTED TO
4 PLC ±			A3	00779	C-1565691	-
ANGLES ±		SCALE	SHEET		REV	
FINISH		2:1	2 OF 4		G2	

THIS DRAWING IS UNPUBLISHED. RELEASED FOR PUBLICATION OCT. 2001.
 © COPYRIGHT 2001 By - ALL RIGHTS RESERVED.

LOC	DIST	REVISIONS			
P	LTR	DESCRIPTION	DATE	DWN	APVD
J		SEE SHEET 1	-	-	-



- (APPLIED TO SHEET 3)
- TOLERANCES ON ALL DIMENSIONS ±0.15 UNLESS OTHERWISE SPECIFIED.
 - P.C.BOARD THICKNESS APPLIES ACROSS TABS AND INCLUDES PLATING AND/OR METALIZATION.
 - FINISH OF PAD : GOLD PLATING 0.00076 MIN. OVER Ni PLATING 0.002MIN.
- ⚠ NO BURR
- ⚠ CHAMFER 0.25 MAX x 45° IF EXIST.



RECOMMENDED MATING P.C.B CONFIGURATION

THIS DRAWING IS A CONTROLLED DOCUMENT.		DWN
DIMENSIONS: MM		CHK
TOLERANCES UNLESS OTHERWISE SPECIFIED:		APVD
0 PLC	±	PRODUCT SPEC
1 PLC	±	APPLICATION SPEC
2 PLC	±	WEIGHT
3 PLC	±	
4 PLC	±	
ANGLES	±	
FINISH		
MATERIAL		

31.75	1.8V	17.55	2.4	2.7
25.4	2.5V	18.45	1.5	1.8
H	POWER SUPPLY	D5	D4	D3

STE TE Connectivity

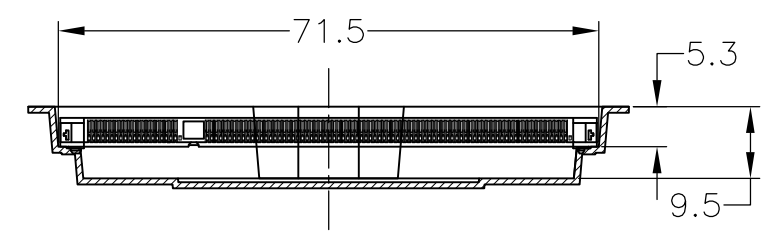
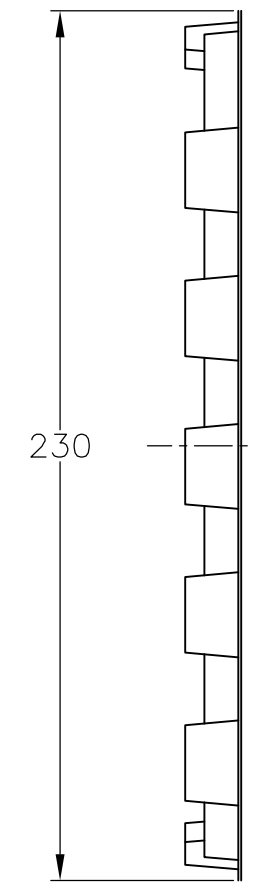
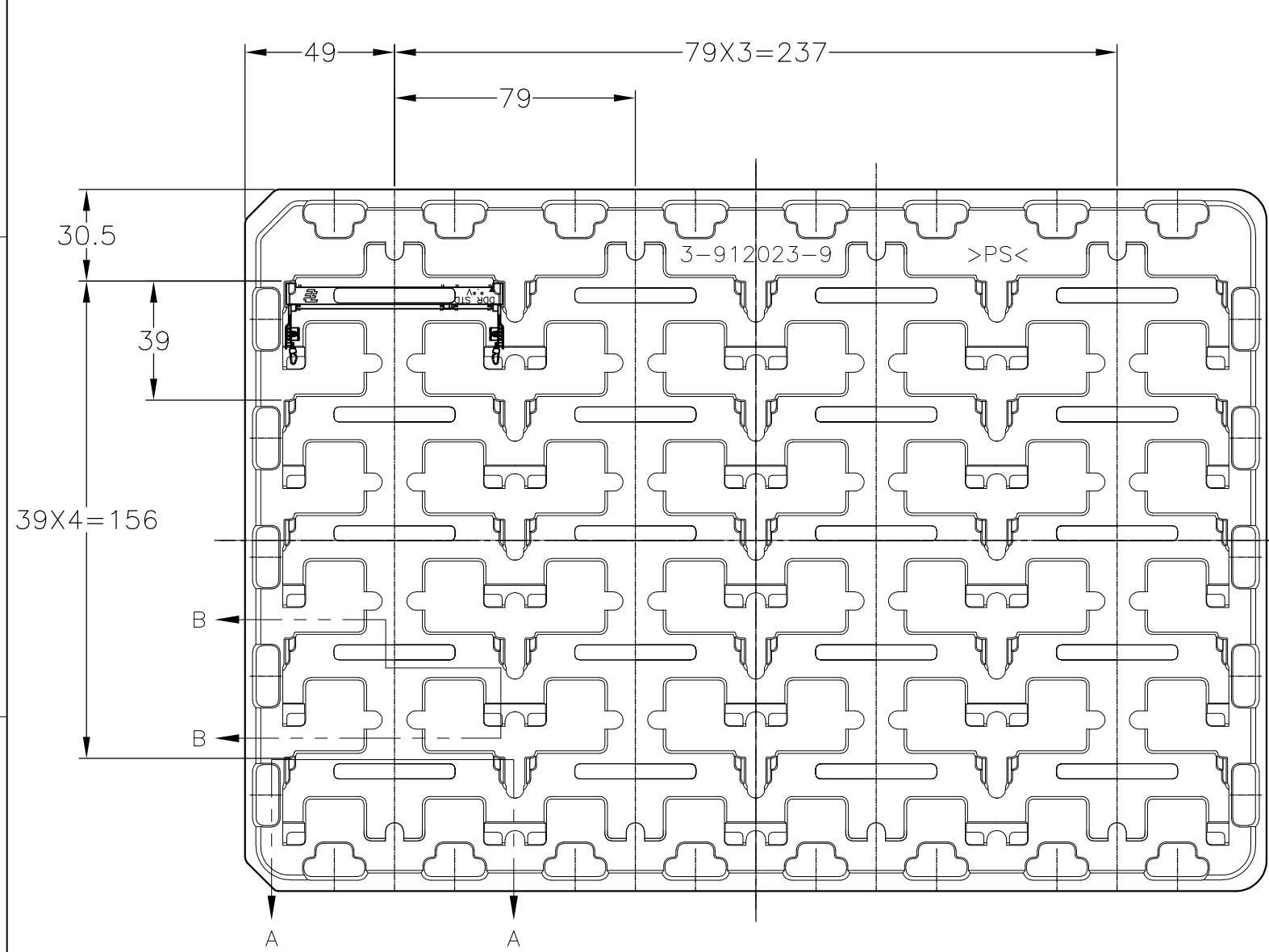
NAME: DDR1 & DDR2 SODIMM SOCKET
0.6mm PITCH 200POS
LOW PROFILE STANDARD TYPE

SIZE: A3 CAGE CODE: 00779 DRAWING NO: C-1565691 RESTRICTED TO: -

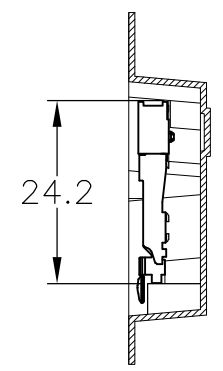
CUSTOMER DRAWING SCALE: 2:1 SHEET: 3 OF 4 REV: G2

THIS DRAWING IS UNPUBLISHED. RELEASED FOR PUBLICATION OCT ,2001.
 © COPYRIGHT 2001 By - ALL RIGHTS RESERVED.

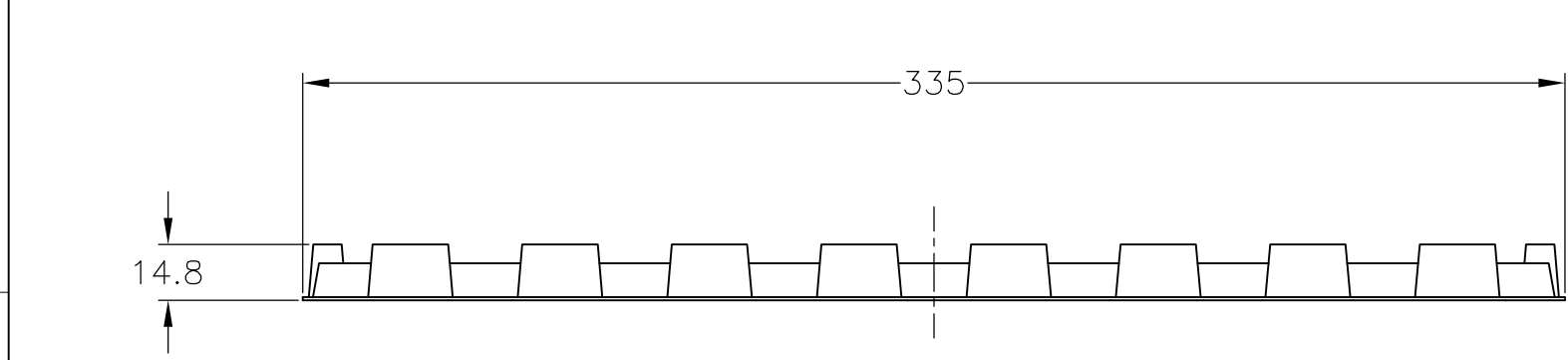
LOC		DIST		REVISIONS			
P	LTR	DESCRIPTION		DATE	DWN	APVD	
	-	SEE SHEET 1		-	-	-	



A-A
SCALE 2:1
(180DEG. ROTATE)



B-B
SCALE 2:1



1.8V (DDR2)	20EA/TRAY	1-1565691-4
1.8V (DDR2)	20EA/TRAY	1565691-4
2.5V (DDR1)	20EA/TRAY	1-1565691-1
2.5V (DDR1)	20EA/TRAY	1565691-1
POWER SUPPLY (TYPE)	QTY	P/N

- (APPLIED TO SHEET 4)
- 1 THE DIRECTION OF EACH CONNECTOR ON A TRAY IS REFERRED TO THIS DRAWING.
 - 2 GENERAL TOLERANCE: ±0.5

THIS DRAWING IS A CONTROLLED DOCUMENT.		DWN		TE Connectivity NAME DDR1 & DDR2 SODIMM SOCKET 0.6mm PITCH 200POS LOW PROFILE STANDARD TYPE	
DIMENSIONS: MM		CHK			
TOLERANCES UNLESS OTHERWISE SPECIFIED:		APVD			
0 PLC ± 0.3 1 PLC ± 0.3 2 PLC ± 0.3 3 PLC ± 0.3 4 PLC ± 0.3 ANGLES ± 3°		PRODUCT SPEC			
MATERIAL		FINISH		APPLICATION SPEC	
		WEIGHT		RESTRICTED TO	
		CUSTOMER DRAWING		SIZE A3 CAGE CODE 00779 DRAWING NO C-1565691	
		SCALE 1:2		SHEET 4 OF 4 REV G2	