

SPECIFICATIONS

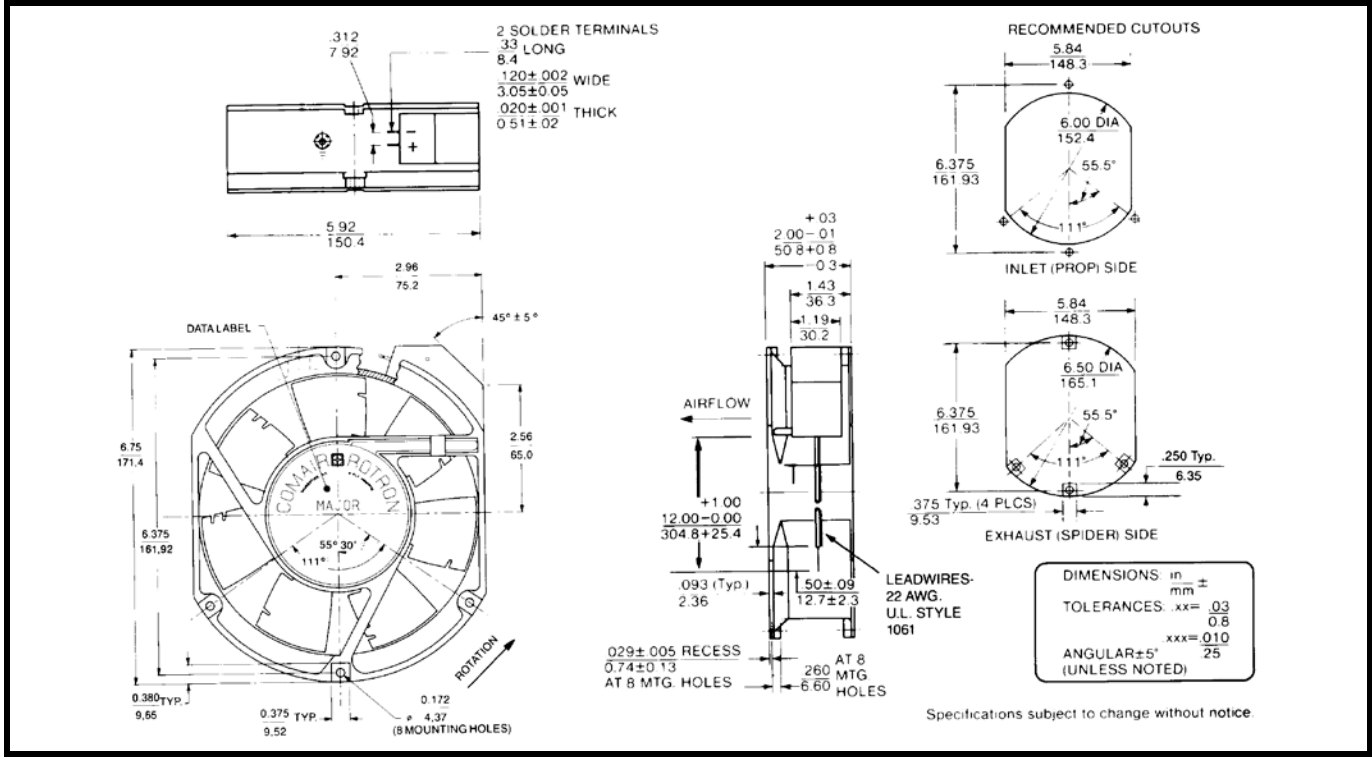
(RoHS Compliant)

Model Number: JQD24Z3A2
Part Number: 19039692A

Version: 00
Apr 19, 2017



Mechanical Drawing:



Motor:

Nominal Voltage = 24 vdc
 Operating Voltage Range = 12 – 32 vdc
 Nominal Running Current = 1.450 amps
 Locked Rotor Current = 2.500 amps
 Running Power = 35 watts
 Average Speed = 4450 rpm
 Bearings = Ball
 Air Flow = 300 CFM
 Static Pressure = 1.30" of Water
 Acoustic = 64.1 dBA

Construction:

Venturi: Die-Cast Aluminum, Black
 Propeller: Polycarbonate, Black, UL 94V-0

Agency Approvals:

UL, CE, UL 507

Life Expectancy:

This fan is designed for continuous duty life of 50,000 hours at 40°C.

Additional Features:

Brushless DC Motor
 Soft Start Inrush Current
 Electronic Locked Rotor Protection
 Polarity Protected
 Automatic Restart Capability
 Operating Temperature: -40°C to 85°C
 Storage Temperature: -40°C to 85°C
 Programmable: PWM Input, 5 volt TTL
 0% Duty: Off
 100% Duty: 4450 RPM

Tachometer Specifications:

Output: 5 volt TTL compatible
 I_c: 5 mA. Typ.
 Pulses per Revolution: 2
 Isolated: No

Termination:

12" Leadwires, 22 AWG, UL 1061
 Red - Power (+) Blue/White - Tachometer
 Black - Return (-) Yellow - Program Lead

PQ Curve:

