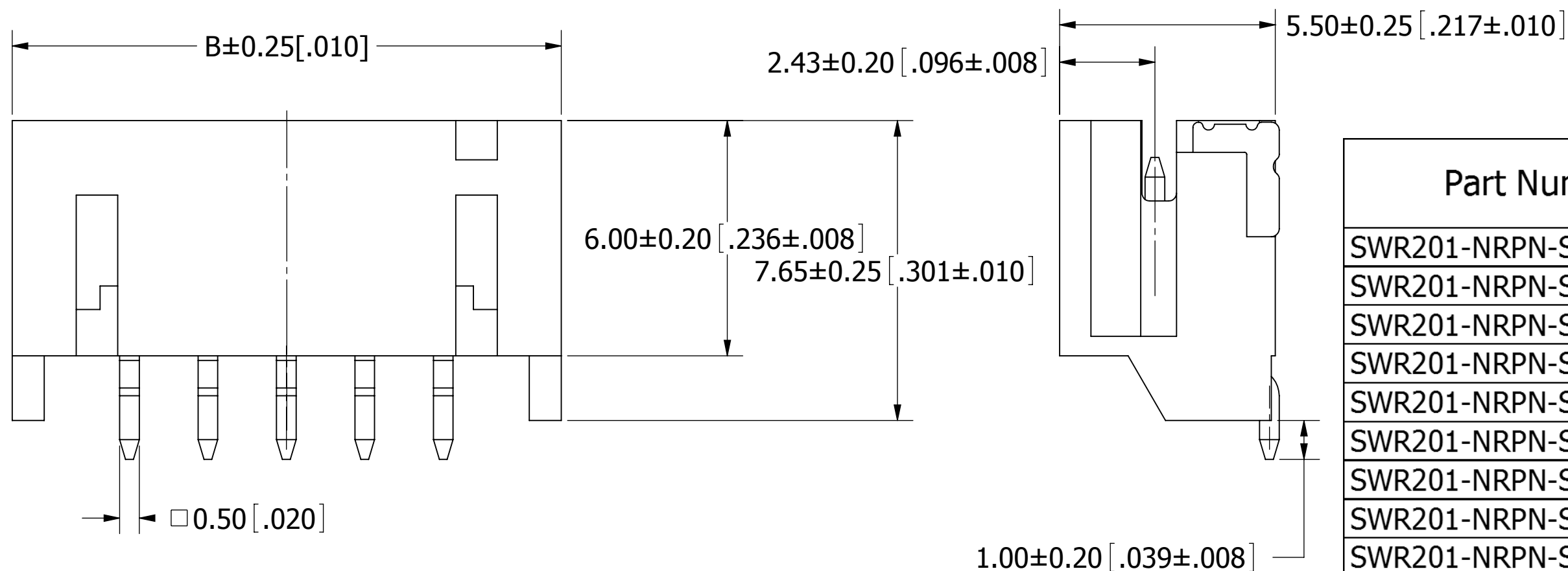
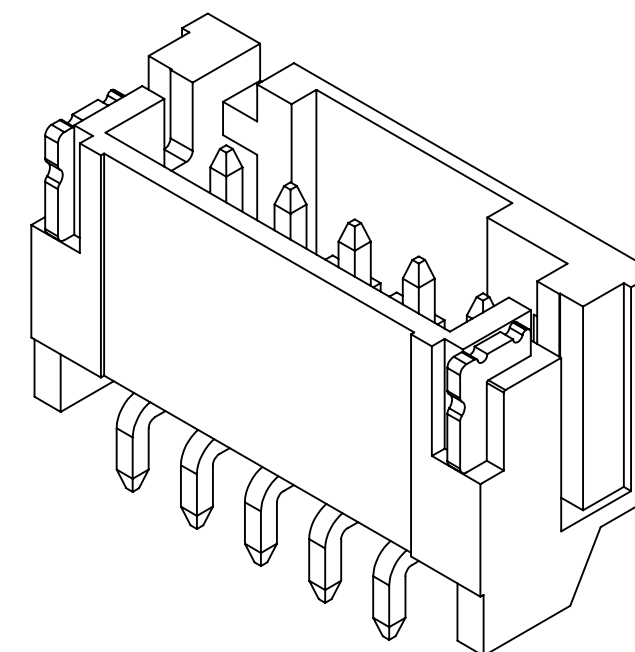
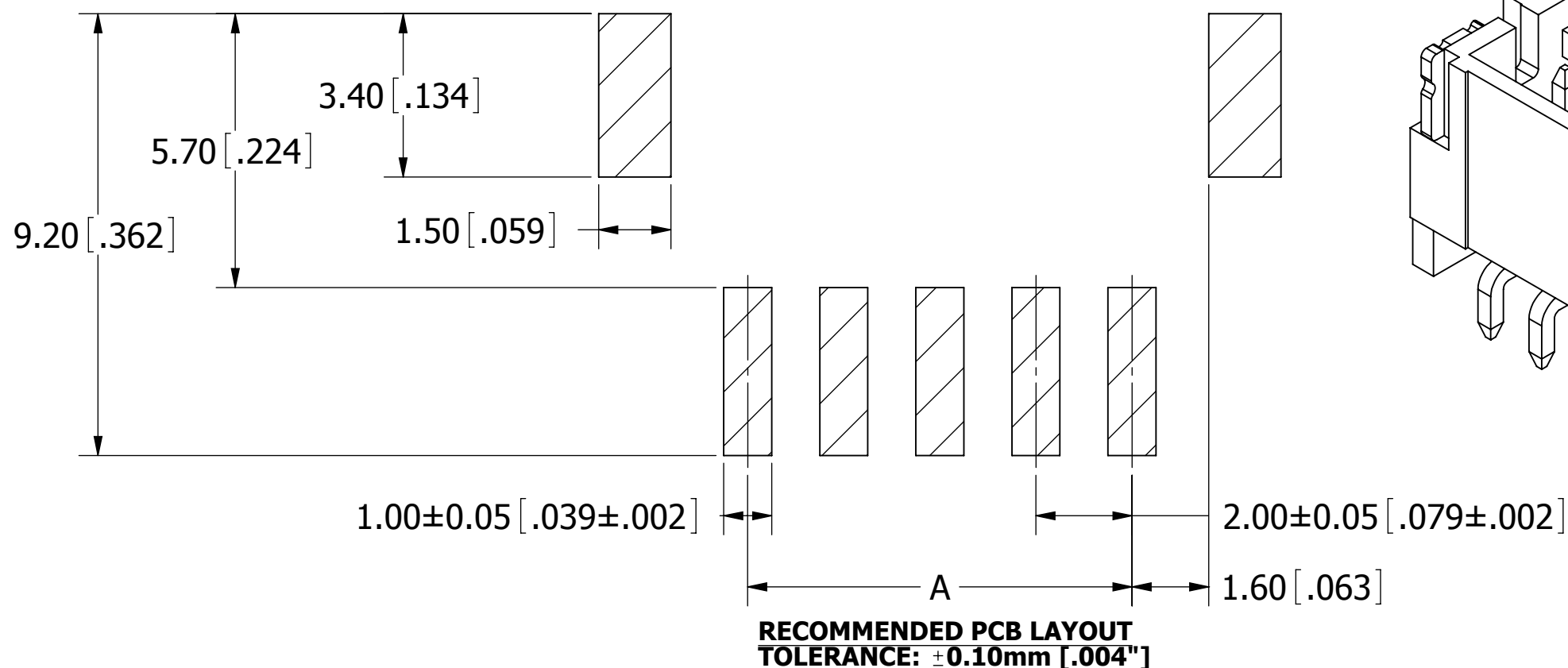
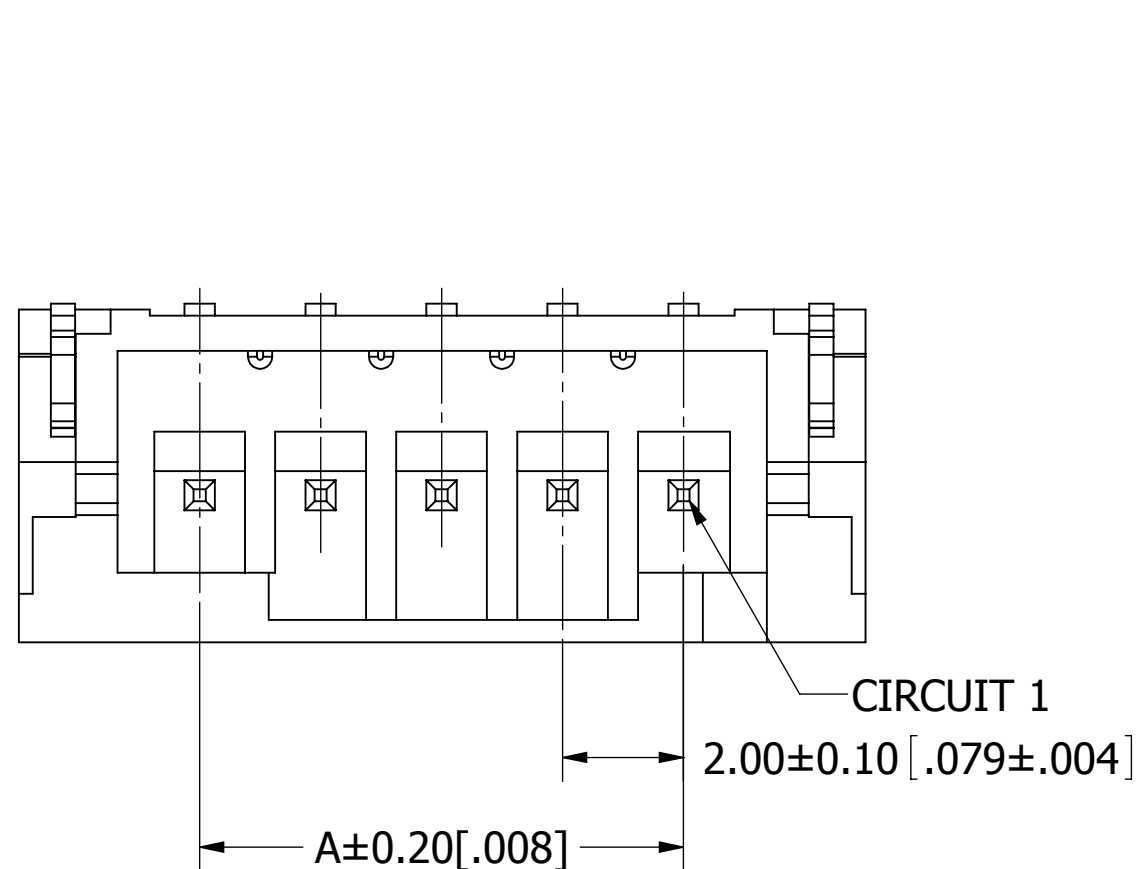


PART NUMBER CODING

SWR201-NRPN-S__-HM-BG

NUMBER OF POSITIONS
(CONTACTS PER ROW)

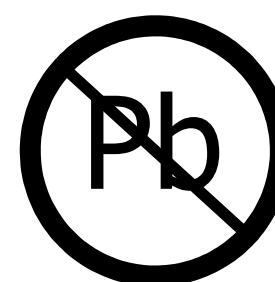
REVISIONS				
REV.	ECO. NO	DESCRIPTION	DATE	BY
A	2003	INITIAL RELEASE	7/17/2009	JH



Part Number	Positions/ Contacts	A		B	
		MM	INCH	MM	INCH
SWR201-NRPN-S02-HM-BG	02/02	2.00	0.079	8.00	0.315
SWR201-NRPN-S03-HM-BG	03/03	4.00	0.157	10.00	0.394
SWR201-NRPN-S04-HM-BG	04/04	6.00	0.236	12.00	0.472
SWR201-NRPN-S05-HM-BG	05/05	8.00	0.315	14.00	0.551
SWR201-NRPN-S06-HM-BG	06/06	10.00	0.394	16.00	0.630
SWR201-NRPN-S07-HM-BG	07/07	12.00	0.472	18.00	0.709
SWR201-NRPN-S08-HM-BG	08/08	14.00	0.551	20.00	0.787
SWR201-NRPN-S09-HM-BG	09/09	16.00	0.630	22.00	0.866
SWR201-NRPN-S10-HM-BG	10/10	18.00	0.709	24.00	0.945
SWR201-NRPN-S11-HM-BG	11/11	20.00	0.787	26.00	1.024
SWR201-NRPN-S12-HM-BG	12/12	22.00	0.866	28.00	1.102
SWR201-NRPN-S13-HM-BG	13/13	24.00	0.945	30.00	1.181
SWR201-NRPN-S14-HM-BG	14/14	26.00	1.024	32.00	1.260
SWR201-NRPN-S15-HM-BG	15/15	28.00	1.102	34.00	1.339
SWR201-NRPN-S16-HM-BG	16/16	30.00	1.181	36.00	1.417

NOTES:

- INSULATOR MATERIAL: NYLON6T, UL94V-0, COLOR:BEIGE.
- CONTACT MATERIAL: BRASS.
- CONTACT PLATING: GOLD FLASH OVERALL.
- CURRENT RATING: 2 AMPS.
- VOLTAGE RATING: 100V AC/DC.
- INSULATOR RESISTANCE: 1000 MEGOHMS MIN.
- CONTACT RESISTANCE: 10 MILLIOHMS MAX.
- DIELECTRIC WITHSTANDING VOLTAGE: 800V AC.
- OPERATING TEMPERATURE: -25° C TO +85° C.
- MATES WITH SWH201 SERIES SINGLE ROW HOUSING.



RoHS COMPLIANT

UNLESS OTHERWISE SPECIFIED:
DIMENSIONS ARE IN MM [INCHES]
TOLERANCES:
ANGULAR: $\pm 5^\circ$
.X = $\pm .3 [.01]$
.XX = $\pm .15 [.006]$
.XXX = $\pm .050 [.0020]$
SURFACE FINISH: 63 R_a
REMOVE ALL BURRS AND SHARP EDGES .010 MAX

INTERPRET DIMENSIONS AND GEOMETRIC TOLERANCING PER: ANSI Y14.5M-1994

DRAWN	DATE	NAME
JH	9/04/09	JH

THE INFORMATION HEREIN CONTAINS PROPRIETARY INFORMATION OF SULLINS ELECTRONICS AND IS NOT TO BE REPRODUCED, USED OR DISCLOSED TO OTHERS FOR ANY PURPOSE EXCEPT AS SPECIFICALLY AUTHORIZED IN WRITING BY AN OFFICER OF SULLINS ELECTRONICS.

SULLINS CONNECTOR SOLUTIONS	
DESCRIPTION	WAFER , 2mm CC, 1 ROW, HM
PART NUMBER	SWR201-NRPN-S__-HM-BG
SIZE	DWG. NO. 11302
SCALE: 10:1	REV A