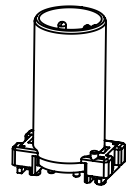
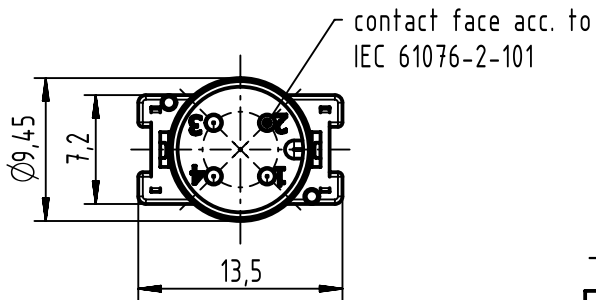
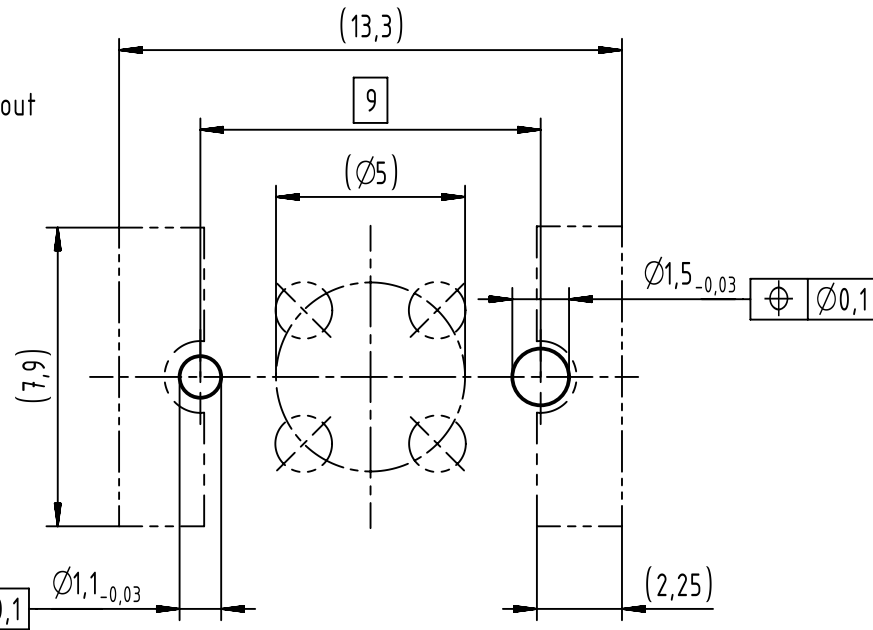


A (5:1)
recommended PCB layout



- 1 pcs. single package

| | | | | | | | | |
|--|--|---|------------------------|-------------------------|-----------------------------|--------------------|---|--|
| | All rights reserved Department EC PD - DE | All Dimensions in mm Original Size DIN A4 | | | Scale 2:1 | Free size tol. | Ref. Sub. TB 21033211402 500000099094 2016-01-07 | |
| | | HARTING Electronics GmbH D-32339 Espelkamp | Created by HELLMANN | Inspected by EISFELD | Standardisation HOFFMANN | Date 2016-05-31 | State Final Release | Doc-Key / ECM-Nr. 100618491/UGD/001/D 500000103181 |
| | | Title HARTING M12 PCB recpt str 4-pole A-cod male unshielded | | | | | Rev. D | |
| | | Type TB | | | Number 21033111415 | | Page 1/1 | |