

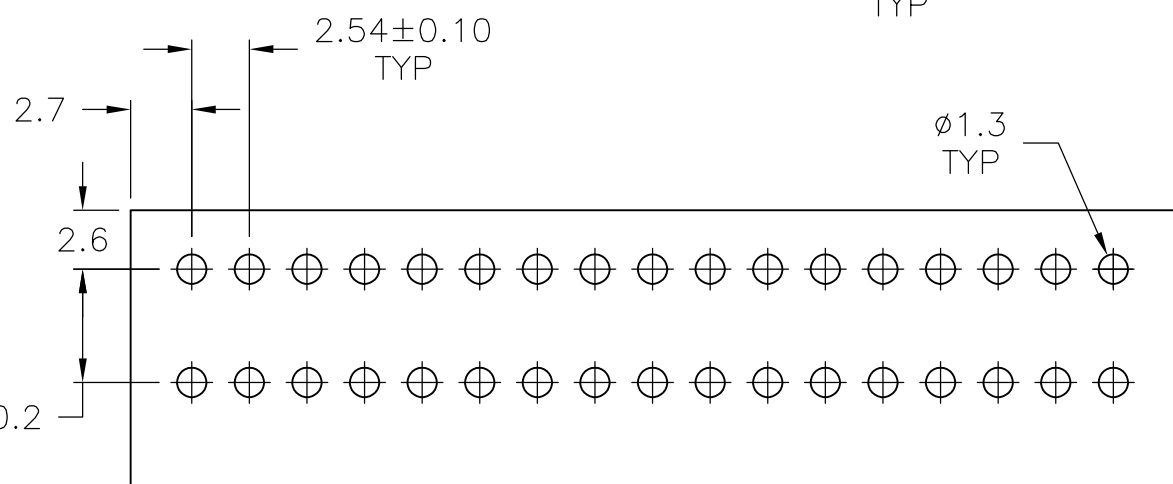
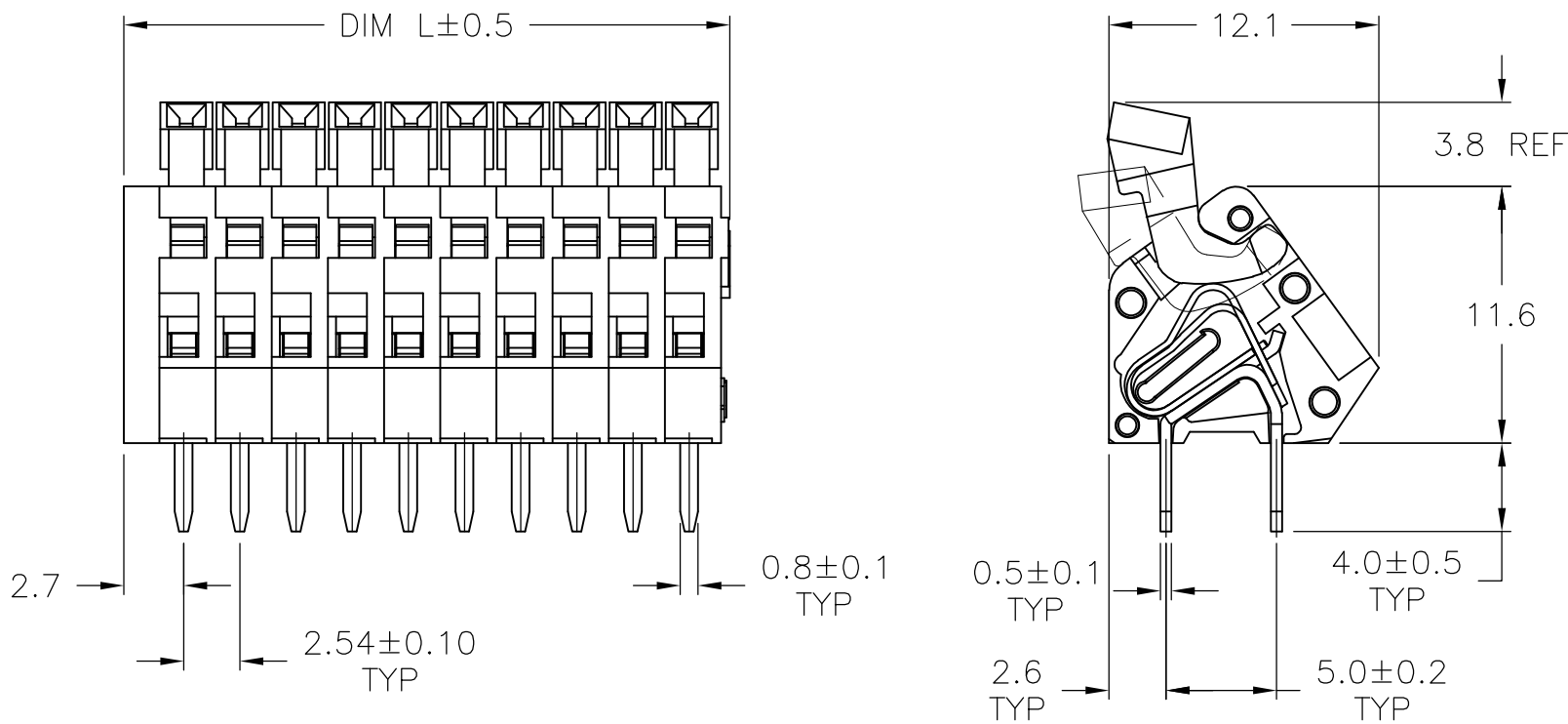
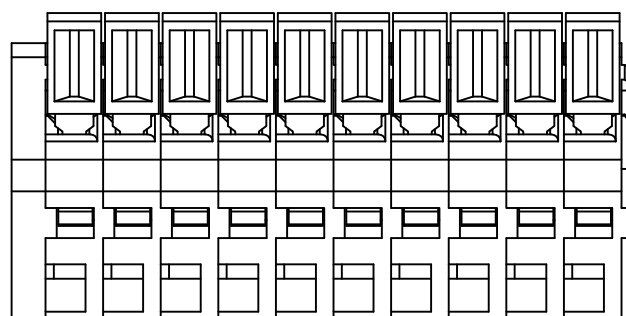
THIS DRAWING IS UNPUBLISHED. RELEASED FOR PUBLICATION  
 © COPYRIGHT BY TYCO ELECTRONICS CORPORATION. ALL RIGHTS RESERVED.

LOC	DIST	REVISIONS					
FT	0	P	LTR	DESCRIPTION	DATE	DWN	APVD
		2		REVISED PER ECO-029853	12/17/07	SS	CR

**PHYSICAL:**  
 HOUSING: POLYAMIDE 66, GLASS FILLED, UL94V-0, GRAY.  
 TERMINAL: BRASS, TIN PLATED.  
 SPRING: STAINLESS STEEL.

**ELECTRICAL:**  
 CURRENT RATING: 4A  
 VOLTAGE RATING: 150VAC  
 WIRE RANGE: 20-28 AWG  
 INSULATION RESISTANCE: >2000Mohm DC500V.  
 INSULATION WITHSTANDING: AC1500V MIN.

**MECHANICAL:**  
 OPERATING TEMPERATURE: -40°C TO +105°C



RECOMMENDED PCB LAYOUT

THIS PRINT IS  
**PRELIMINARY**  
 PRIOR TO CUSTOMER ORDER  
 CONTACT PRODUCT ENGINEERING  
 BEFORE USING THIS PRINT

44.68	17	1-1986220-7
42.14	16	1-1986220-6
DIM L	POSN	PART NUMBER

THIS DRAWING IS A CONTROLLED DOCUMENT.		DWN S SCHLEGEL 7/17/07	Tyco Electronics Corporation Harrisburg, PA 17105-3608	
DIMENSIONS: mm		CHK C RICHARD 7/17/07		
TOLERANCES UNLESS OTHERWISE SPECIFIED:		APVD C RICHARD 7/17/07		
0 PLC ± - 1 PLC ± 0.3 2 PLC ± 0.10 3 PLC ± - 4 PLC ± - ANGLES ± 1°		NAME		
MATERIAL -		FINISH -	<b>PRELIMINARY</b> 2.54mm SCREWLESS TERMINAL BLOCK	
-		PRODUCT SPEC -	SIZE A3	CAGE CODE 00779
-		APPLICATION SPEC -	DRAWING NO C-1986220	RESTRICTED TO -
-		WEIGHT -	SCALE NTS	SHEET 1 OF 1
-		CUSTOMER DRAWING	REV 2	