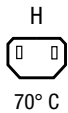


## IEC Appliance Outlet F or H, Screw-on Mounting, Front Side, Solder or Quick-connect Terminal

**Description**

- Panel Mount :  
Screw-on mounting , from front side
- 1 Function :

- Connector , Pin temperature 70 °C , protection class I or II
- Solder terminals or quick connect terminals

**Approvals**

- VDE Certificate Number: 40010295
- UL File Number: E57445
- CSA File Number: 27324

**References**

We recommend for new applications the type [6600-3](#)

**Weblinks**

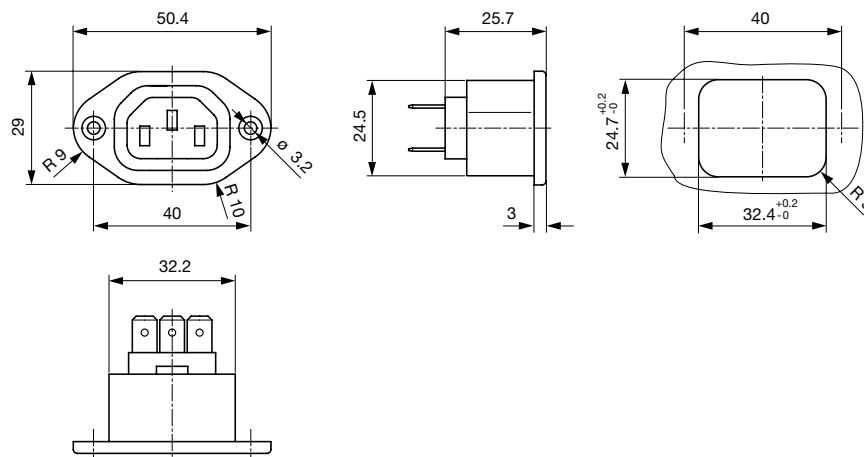
[pdf datasheet](#), [html-datasheet](#), [General Product Information](#), [RoHS](#), [CHINA-RoHS](#), [REACH](#), [Distributor-Stock-Check](#), [Accessories](#), [Detailed request for product](#)

**Technical Data**

Ratings IEC	10A / 250VAC; 50Hz
Ratings UL/CSA	15A / 250VAC; 60Hz
Dielectric Strength	> 4 kVAC between L-N > 2 kVAC between L/N-PE (1 min/50Hz)
Allowable Operation Temperature	-25 °C to 70 °C
IP-Protection	from front side IP 20 acc. to IEC 60529
Insulation cover	Suitable for appliances with protection class I or II acc. to IEC 61140
Terminal	Solder terminals or quick connect terminals
Material: Housing	PA6, black or grey, UL 94V-0

appliance inlet/-outlet	F acc. to IEC 60320-1 UL 498, CSA C22.2 no. 42 (for cold conditions) pin-temperature 70 °C, 10A, Protection Class I or II
-------------------------	--

Detailed information on product approvals, code requirements, usage instructions and detailed test conditions can be looked up in [General Product Information](#)

**Dimensions**

Length of the terminal please find at the order code configuration table

## Config. Code

5098 - H - A B C 0 - D - E O

The characters are placeholders for the correspondingly keys of selections from the key tables.


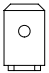
5098 - H - A B C 0 - D - E O = Type

Type	Configuration key
protection class II	B
protection class I	X

5098 - H - A B C 0 - D - E O = Color

Color	Configuration key
Black	A
Grey	B

5098 - H - A B C 0 - D - E O = Terminals

Terminal L	Configuration key
solder terminal 	1
Blade terminal (6.3 x 0.8 mm) 	9

5098 - H - A B C 0 - D - E O = Style

Style	Configuration key
flange with countersunk holes	1
flange with through holes	2

5098 - H - A B C 0 - D - E O = Terminals

Terminal N	Configuration key
solder terminal	1
Blade terminal (6.3 x 0.8 mm)	9

Symbols similar as in table A

5098 - H - A B C 0 - D - E O = Features

Features	Configuration key
not used	0
dead cover	1
holder for 1 fuse (text legible, when inlet on top)	2
holder for 1 fuse (text legible, when inlet on bottom)	3
holder for 1 or 2 fuses (text legible, when inlet on top)	4
holder for 1 or 2 fuses (text legible, when inlet on bottom)	5
voltage selector with 1 fuse	6
voltage selector with 2 fuses	7
thermal circuit breaker for rated current 4A	A
thermal circuit breaker for rated current 6A	B
thermal circuit breaker for rated current 8A	C
thermal circuit breaker for rated current 10A	D
thermal circuit breaker for rated current 15A	E
thermal circuit breaker for rated current 20A	F

5098 - H - A B C 0 - D - E O = Terminals

Terminal Ground	Configuration key
without terminal	0
solder terminal	1
Blade terminal (6.3 x 0.8 mm)	9

Symbols similar as in table A

## All Variants

Type	Terminals L / N	Terminal Ground	Color	Style	Features	Config. Code	Order Number
protection class II	Blade terminal (6.3 x 0.8 mm)	without terminal	Black	flange with countersunk holes	-	5098-B-9900-A-1	6182.0027
protection class I	solder terminal	solder terminal	Black	flange with countersunk holes	-	5098-X-1110-A-1	6182.0028
protection class I	solder terminal	solder terminal	Grey	flange with countersunk holes	-	5098-X-1110-B-1	6182.0030
protection class I	Blade terminal (6.3 x 0.8 mm)	Blade terminal (6.3 x 0.8 mm)	Black	flange with countersunk holes	-	5098-X-9990-A-1	6182.0031
protection class I	Blade terminal (6.3 x 0.8 mm)	Blade terminal (6.3 x 0.8 mm)	Grey	flange with countersunk holes	-	5098-X-9990-B-1	6182.0032

The listed variants should be available from stock. Other versions on request [www.schurter.com/contact](http://www.schurter.com/contact)

Most Popular.

Availability for all products can be searched real-time: <http://www.schurter.com/en/Stock-Check/Stock-Check-SCHURTER>

Packaging unit 50 Pcs

Mating Inlets/Plugs

Category / Description

[Plug Overview complete](#)



IEC Plug E, Cord Connector (Rewireable), Straight, max. cable Diameter 8.5 mm	4732
IEC Plug E, Cord Connector (Rewireable), Straight, max. Cable Diameter 10 mm	4735
IEC Plug E, Cord Connector (Rewireable), Straight	9009
IEC Plug E, Cord Connector (Rewireable), Angled, max. Cable Diameter 8.5 mm	4733
IEC Plug E, Cord Connector (Rewireable), Angled, max. Cable Diameter 10 mm	4736
<a href="#">Plug further types to 5098</a>	...