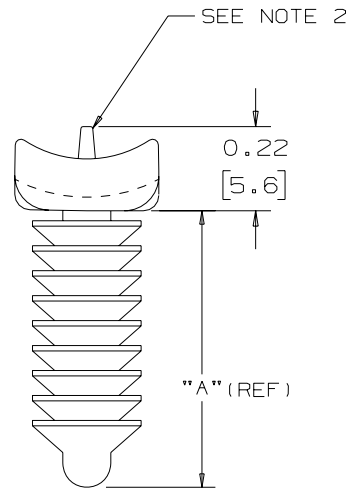
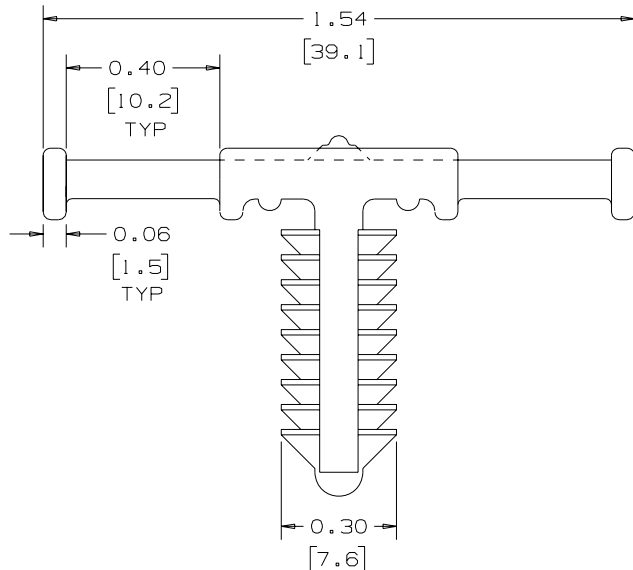
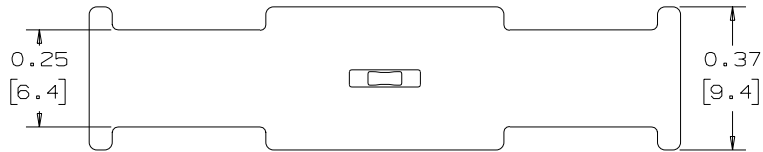


THIS COPY IS PROVIDED ON A RESTRICTED BASIS AND IS NOT TO BE USED IN ANY WAY DETRIMENTAL TO THE INTERESTS OF PANDUIT CORP.

PANDUIT PART NO. SEE NOTE 1	CHARACTERISTICS		RECOMMENDED HOLE DIA. IN. (mm)	RECOMMENDED PANEL SIZE IN. (mm)	WEIGHT LBS./ 100 PCS. (g)
	NO. of BARBS	A REF			
THMSC35- ---	5	0.46 [11.7]	0.244-0.268 [6.2-6.8]	0.024-0.250 [0.61-6.4]	0.230 (104)
THMSC35F- ---	5	0.46 [11.7]		0.024-0.250 [.61-6.4]	0.220 (103)
THMSC60F- ---	9	0.72 [18.3]		0.024-0.500 [.61-12.7]	0.250 (117)



NOTES:

- SEE PART NUMBER SUFFIX DESIGNATIONS ON CURRENT PRICE SHEET FOR PACKAGE SIZE, PART COLOR AND PART MATERIAL.
- SUFFIX 'F' AFTER PART SIZE INDICATES ABSENCE OF TAB WHERE SHOWN. (I.E. THMSC60F).
- MATERIAL TABLE
 -39 NYLON 6.6 HEAT STABILIZED NATURAL
 -30 NYLON 6.6 HEAT STABILIZED BLACK

DIMENSIONS IN BRACKETS ARE METRIC [mm]

CAD FILENAME/LAYERS

G00303BA_PB_THMSC_07

7	3-7-08	TMSA		REMOVED -630 AND -639 FROM THE MATERIAL TABLE NOTE	GB0303BA	7			
6	12-21-06	TMSA		REVISED NOTE 3 MATERIAL TABLE	GB0303BA	6			
5	1/21/02	LGG		DELETED THMSC60, THMSC85, & THMSC85F	GB0303BA	5			
4	6/28/01	LGG		UPDATED FOR WEB	GB0303BA	4			
3	5/5/98	MLD		ADDED NOTE #3, CHANGED CAD FILE NAME FROM GB0303BA_PB_THMSC_02	GB0303BA	3			
2	11/8/93	JRL		CHG,D. PART NOS. TO REFLECT SUFFIX "F",	GB0303BA	2			
				ADDED WT. COLUMN & DIM. .22					
1	2/12/93	JRL		ADDED RECOMM. HOLE & PANEL SIZE	GB0303BA	1			
REV	DATE	BY	CHK	DESCRIPTION	ECN	R	CUST	SUP	O.C.



THMSC, THMSCF
TIE HARNESS MOUNT

UNLESS OTHERWISE SPECIFIED,
DIMENSIONAL TOLERANCES ARE:
(.X) ±0.05 [1.3] (.XXX) ±0.010 [0.25]
(.XX) ±0.02 [0.5] ANGLES ± 5°

UNLESS OTHERWISE SPECIFIED,
ALL DIMENSIONS ARE GIVEN
IN INCHES, THIRD ANGLE PROJECTION.

DRAWN BY TNT

MAT'L:

SCALE

2/1

DATE 11/24/92

SEE NOTE 3

DRAWING NO.

GB0303BA

DWG

SIZE

CHK'D