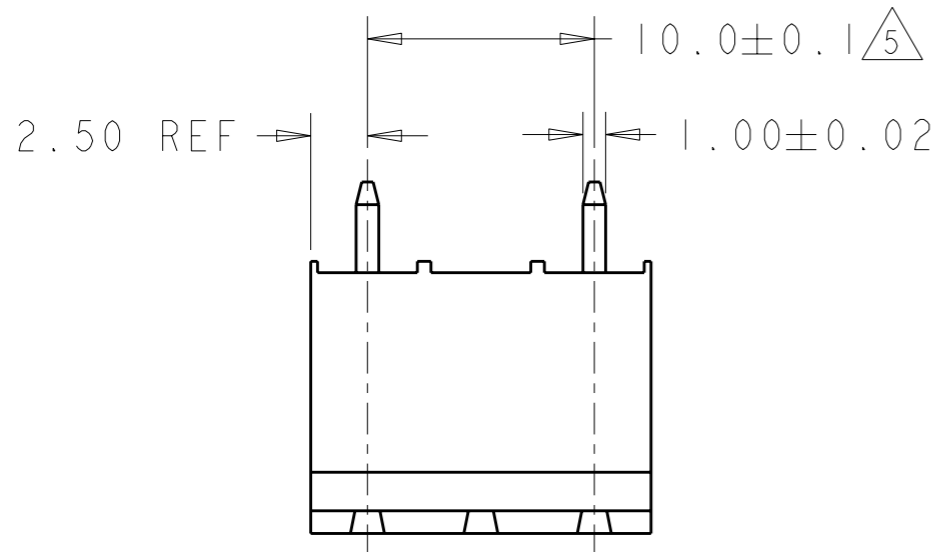


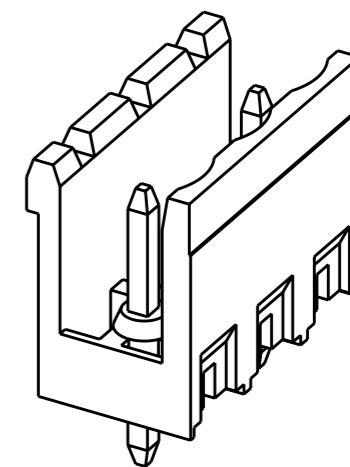
THIS DRAWING IS UNPUBLISHED. RELEASED FOR PUBLICATION 20

© COPYRIGHT 20 Tyco Electronics AMP GmbH ALL RIGHTS RESERVED.

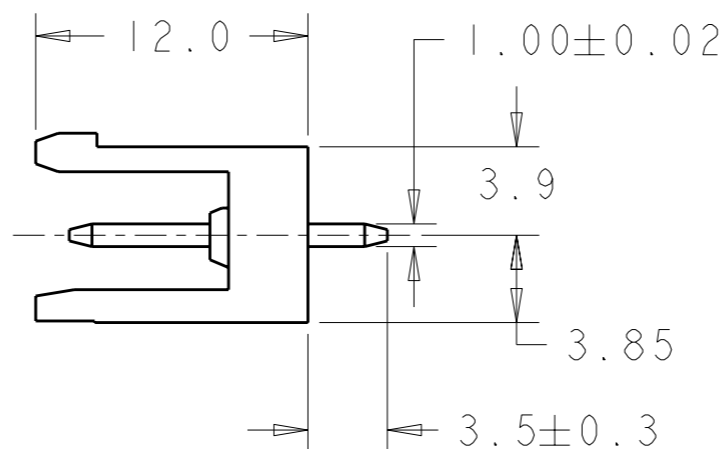
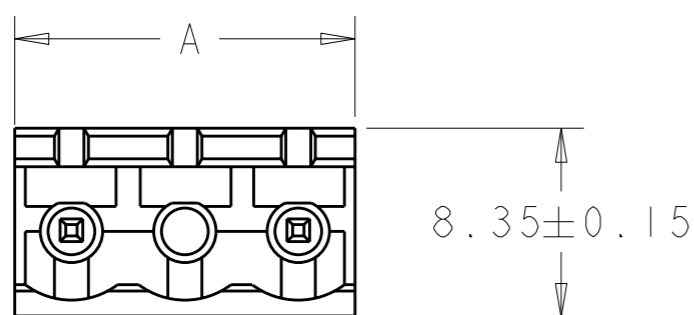
LOC	DIST	REVISIONS			
P	LTR	DESCRIPTION	DATE	DWN	APVD
FT	0	C1	REVISED PER ECO-12-007964	02MAY2012	KH MS



- 1 MATERIALS AND FINISH
HOUSING: PA 6-6, UL 94-V0, COLOR GREEN.
TERMINAL: COPPER ALLOY, TIN PLATED.
- 2 SUITABLE FOR 1,6-2,4mm PC BOARD THICKNESS.
- 3 RECOGNIZED UNDER THE COMPONENT PROGRAM OF UNDERWRITERS LABORATORIES INC. FILE N° E60677.
- 4 IMQ CERTIFICATE WITH SURVEILLANCE IN CONFORMITY WITH IEC 998-1/998-2-1.
- 5 NOT CUMULATIVE TOLERANCE.

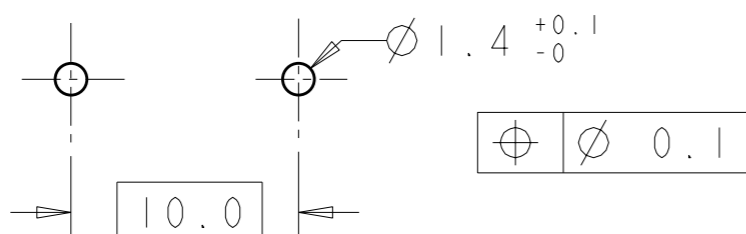


282827-2 AS SHOWN



125	13	1-282827-3
115	12	1-282827-2
105	11	1-282827-1
95	10	1-282827-0
85	9	282827-9
75	8	282827-8
65	7	282827-7
55	6	282827-6
45	5	282827-5
35	4	282827-4
25	3	282827-3
15	2	282827-2
DIM. A	N° OF POS.	PART NUMBER

RECOMMENDED PC BOARD LAYOUT



THIS DRAWING IS A CONTROLLED DOCUMENT.		DWN 31 JUL 2001 E. ZANOLINI		TE Connectivity	
DIMENSIONS: mm		CHK 31 JUL 2001 D. BIEVENOUR			
TOLERANCES UNLESS OTHERWISE SPECIFIED:		APVD 31 JUL 2001 D. BIEVENOUR		NAME TERMINAL BLOCK HEADER ASSEMBLY 180 DEGREE OPEN ENDS 10mm PITCH	
0 PLC ±-		PRODUCT SPEC 108-20166		SIZE	
1 PLC ±.3		APPLICATION SPEC 114-20079		CAGE CODE	
2 PLC ±.25		WEIGHT -		DRAWING NO	
3 PLC ±-		CUSTOMER DRAWING		A300779	
4 PLC ±-		SCALE 3:1		C-282827	
ANGLES ±2		SHEET 1 OF 1		REV C1	
FINISH		RESTRICTED TO			