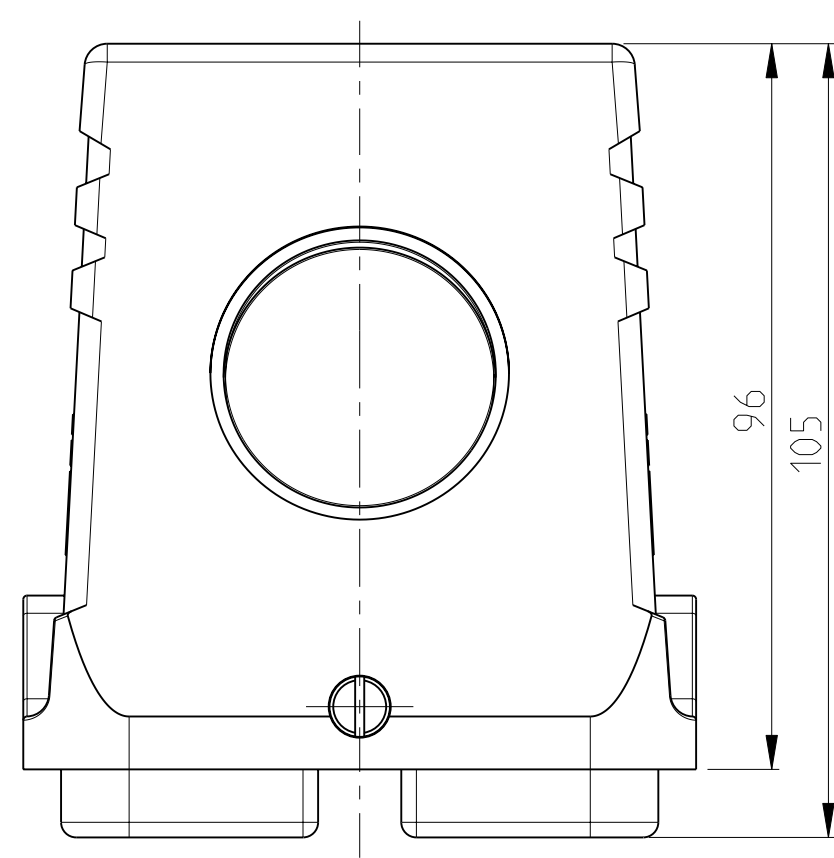
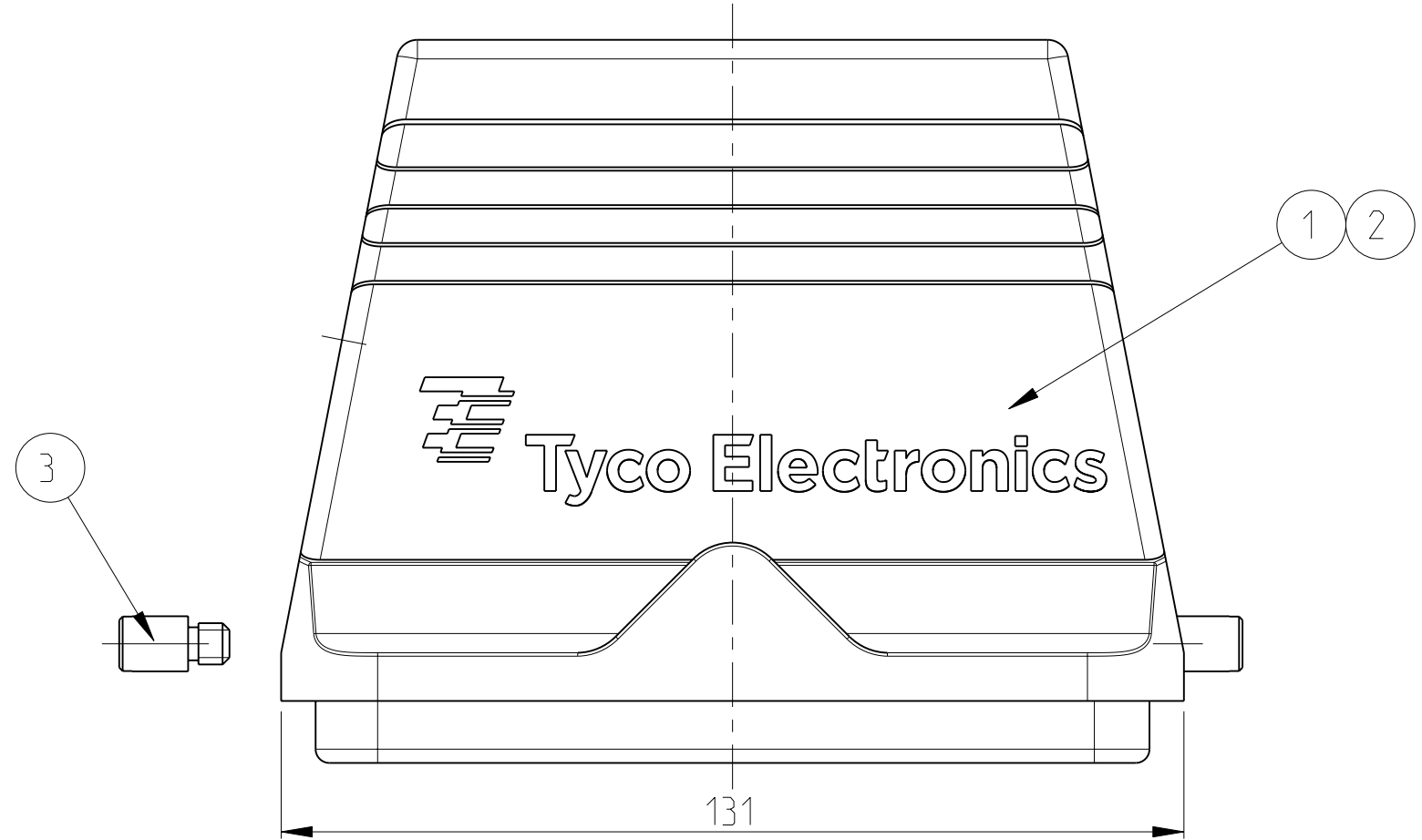
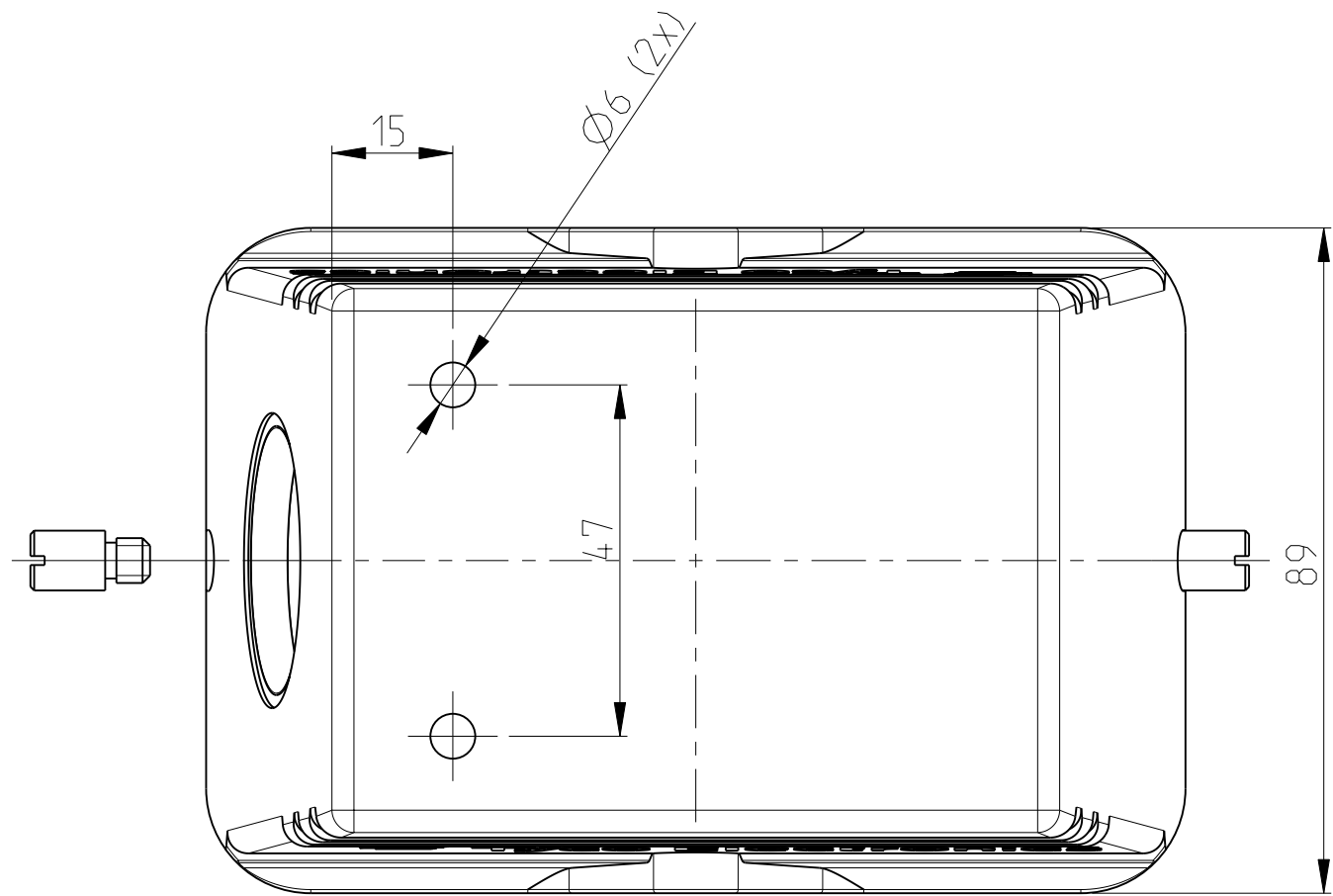
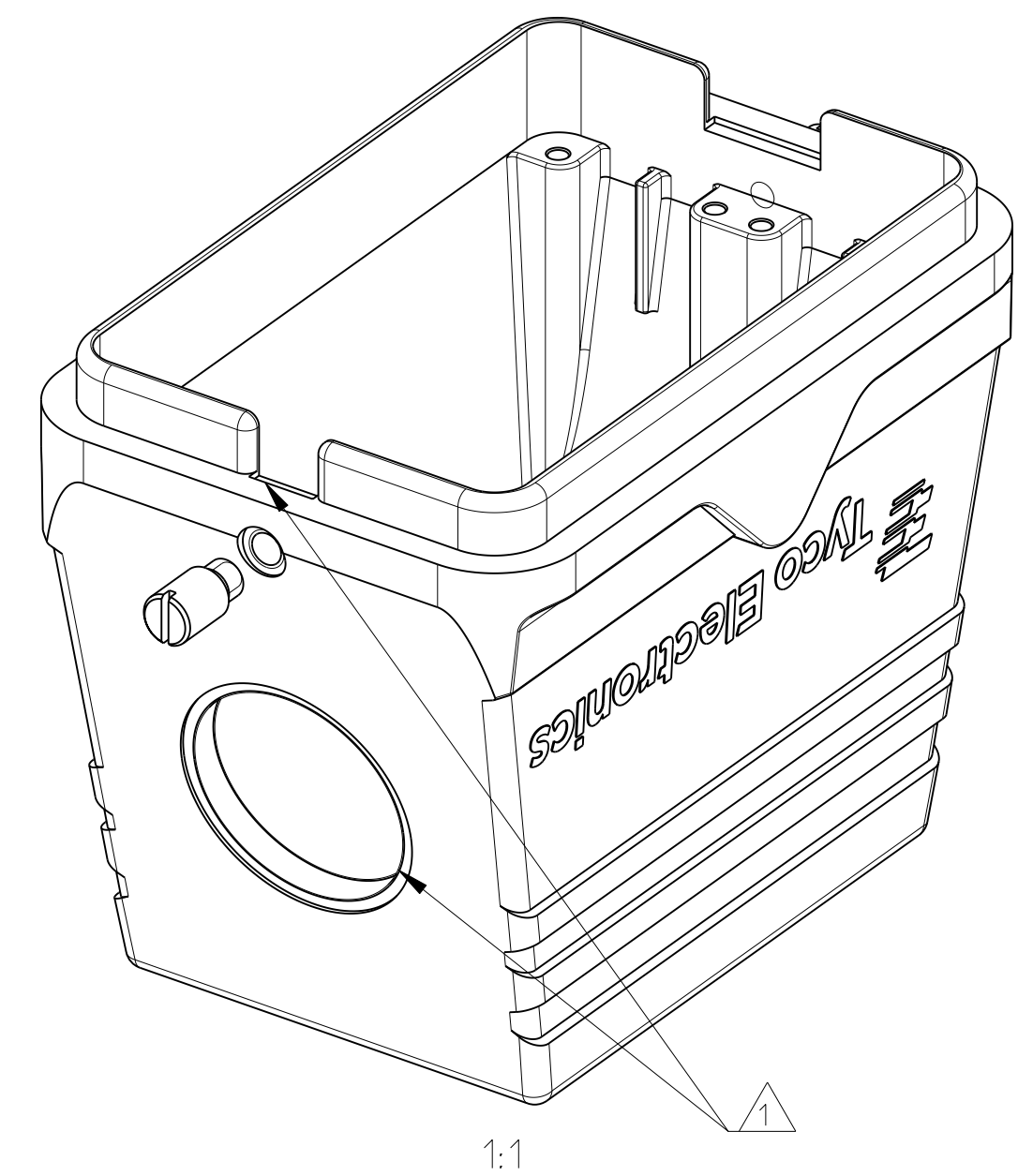


THIS DRAWING IS UNPUBLISHED. RELEASED FOR PUBLICATION 2006
 © COPYRIGHT 2006 BY TYCO ELECTRONICS CORPORATION. ALL RIGHTS RESERVED.

LOC	DIST	REVISIONS			
P	LTR	DESCRIPTION	DATE	DWN	APVD
A3		ECR-10-008205	29APR2010	VG	AR



PN 0-1 AS SHOWN



NOTES

- 1 PART SHALL BE FREE AND CLEAN OF BURRS AND OTHER FOREIGN MATERIAL
- 2 PACKAGING: QUANTITY 3 PIECES
- 3 VARNISHING INSIDE HOUSING NOT REQUIRED

QTY	DESCRIPTION	MATERIAL	SURFACE	COLOR	ITEM	NOTES	
2	CLIP BOLT	V2A	-	BLANK	3	-	
1	HOOD HB.48	ALUMINIUM/ALU	ALUMINIUM OXID	BLACK	2	PG OF SITE WITH LARGELY CODIER NUT	
-	1	HOOD HB.48	ALUMINIUM/ALU	ALUMINIUM OXID	-	1	PG OF SITE WITH THE SMALL CODIER NUT
0-2	0-1	DESCRIPTION	MATERIAL	SURFACE	COLOR	ITEM	NOTES

HB-K.48.STS-GR.1.36.G+2.D=6-Code
 HB-K.48.STS-GR.1.36.G+2.D=6

<small>THIS DRAWING IS A CONTROLLED DOCUMENT FOR TYCO ELECTRONICS CORPORATION IT IS SUBJECT TO CHANGE AND THE CONTROLLING ENGINEERING ORGANIZATION SHOULD BE CONTACTED FOR THE LATEST REVISION.</small>		DWN 07AUG2007 R.SCHNEIDER CHK 07AUG2007 SCHNURPFIL APVD -	Tyco Electronics AMP GmbH 53757 Sankt Augustin (Germany)
DIMENSIONS: mm 	TOLERANCES UNLESS OTHERWISE SPECIFIED: 0 PLC ±- 1 PLC ±- 2 PLC ±- 3 PLC ±- 4 PLC ±- ANGLES ±1° FINISH	NAME HOOD HB.48 HB-K.48.STS-GR.1.36.G SIZE A2 CAGE CODE 00779 DRAWING NO 1102072 RESTRICTED TO -	CUSTOMER DRAWING SCALE 1:1 SHEET 1 OF 1 REV A3