


| SIGN | DATE | DESCRIPTION   | APPROVER |
|------|------|---|----------|
|      |      | <i>THIS IS CAD DRAWING, DO NOT REVISE MANUALLY!!!</i> |          |

**Material**

- Terminal body
- (metal housing): Brass(CuZn)
- Terminal screw: Steel Zinc plating "-" slot type
- Contacts: Brass
- Surface of solder tail: Tin plated
- Insulator (housing): Thermoplastic (UL94V-0)

**Electrical**

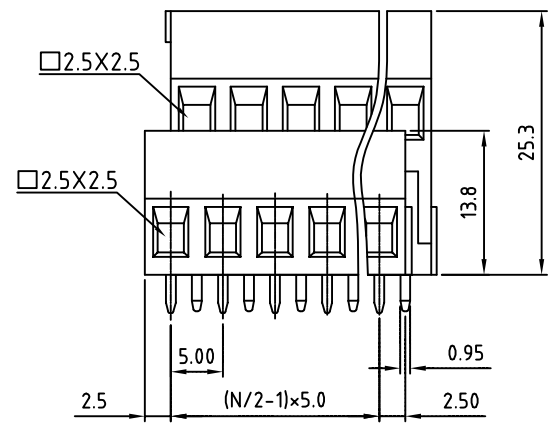
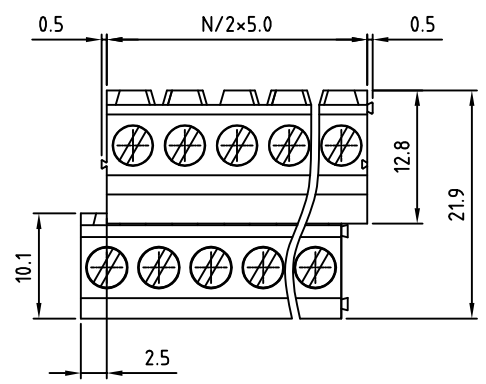
- Voltage rating: 300VAC
- Current rating: 20A
- Wire range:
  - Solid wire(AWG): 12-22
  - Stranded wire(AWG): 12-22
- Torque(Lb-In): 3.5
- Screw: M2.5
- Wire strip length: 6-7mm
- Withstanding Voltage: 1.6KV
- Operating temperature: -30°C to +105°C
- Soldering temperature: 250°C±10°C/5 Sec
- Safety Approval: 

RoHS Compliant

PART NUMBER:

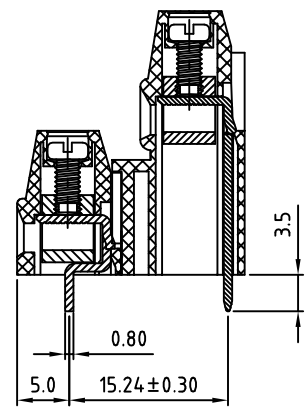
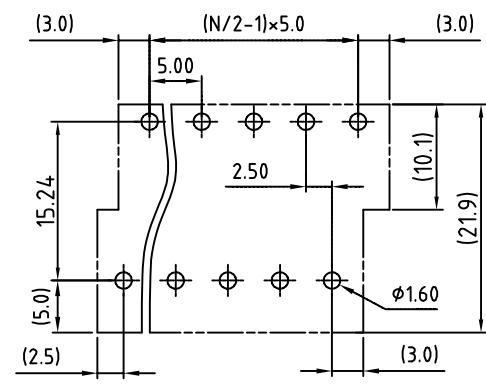
**OSTYLXX0150**

- |              |                |                     |
|--------------|----------------|---------------------|
| No. of Poles | 04: 2x02 Poles | COLOR               |
|              | 06: 2x03 Poles | 0: Black            |
|              | :              | 5: Green (Standard) |
|              | 48 2x24 Poles  | 6: Blue             |
|              |                | 8: Grey             |



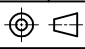
N=Number of poles

**P.C.B LAYOUT**



THESE DRAWINGS AND SPECIFICATIONS ARE THE PROPERTY OF ON-SHORE TECHNOLOGY, INC. AND SHALL NOT BE REPRODUCED, COPIED OR USED IN ANY MANNER WITHOUT THE PRIOR WRITTEN CONSENT OF ON-SHORE TECHNOLOGY, INC.



|                       |                       |                           |                           |   |  |                 |          |
|-----------------------|-----------------------|---------------------------|---------------------------|---|--|-----------------|----------|
| TITLE                 |                       | OSTYL-5.0mm Series Left   |                           | DWG NO.   |  | OSTYLXX0150.DWG |          |
| PART NO.              |                       | OSTYLXX0150               |                           | CUST NO.  |  |                 |          |
| APPROVED              | CHECKED               | DESIGNED                  | DRAWN                     |  |  | Tolerance       |          |
| Shi Jun<br>2006.10.20 | Shi Jun<br>2006.10.20 | xionghaitao<br>2006.10.20 | xionghaitao<br>2006.10.20 |   |  | UNIT: mm        | X. ±0.50 |
|                       |                       |                           |                           | SHEET: 01/01  |  | SCALE: NONE     |          |
|                       |                       |                           |                           |   |  | REV: D          | X° ±1°   |