

NOTES:

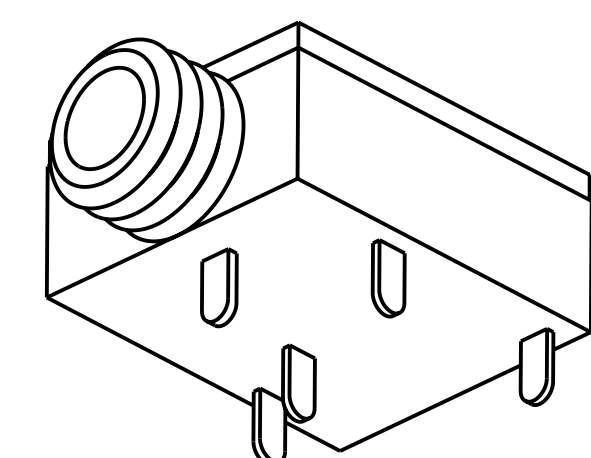
1. ELECTRICAL:  
 CONTACT RESISTANCE: 20 MILLIOHMS MAX. INITIAL  
 100 MILLIOHMS MAX. AFTER LIFE  
 INSULATION RESISTANCE: 100 MEGAOHMS MIN.  
 DIELECTRIC WITH STANDING VOLTAGE: 250 VAC.

2. MECHANICAL:  
 LIFE: 5000 CYCLES  
 INSERTION FORCE: 0,4 KG TO 1,6 KG  
 WITHDRAWAL FORCE: 0,4 KG TO 1,4 KG

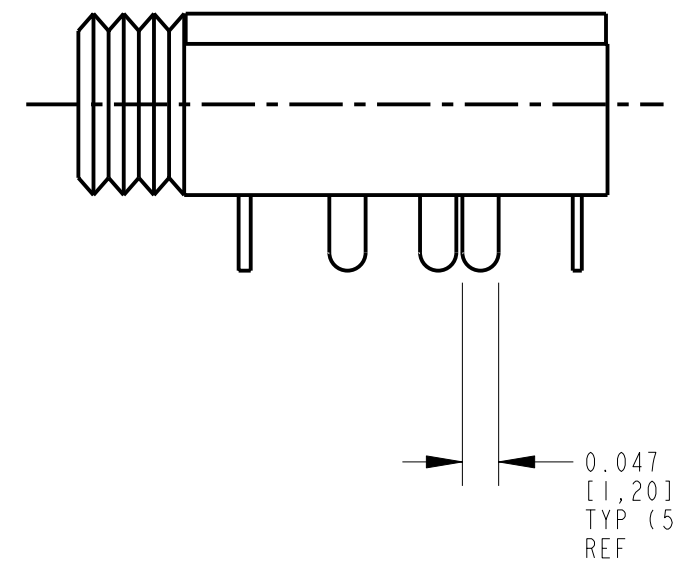
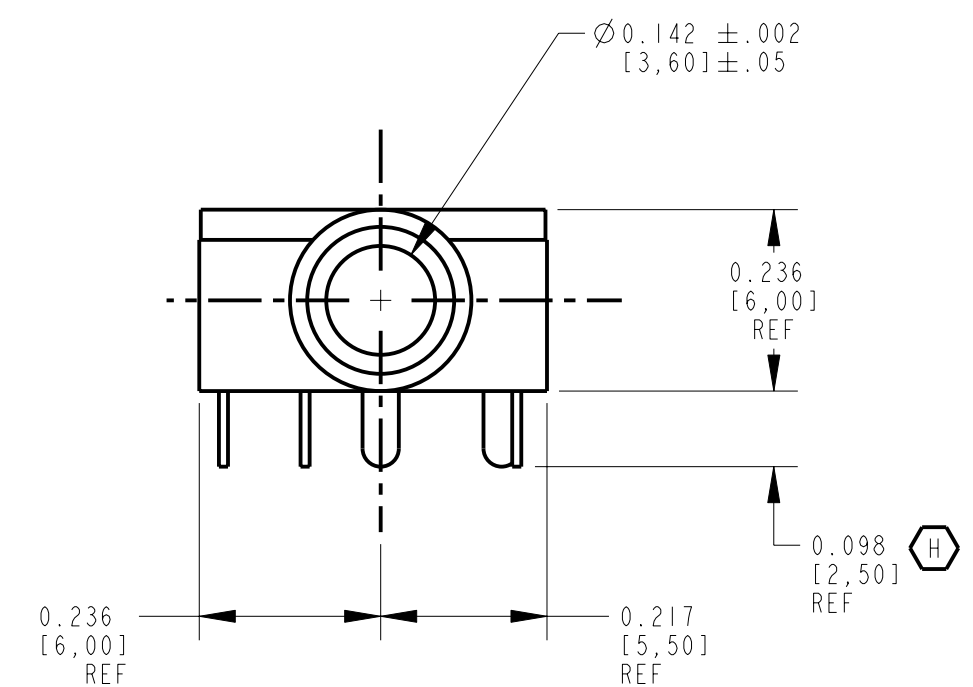
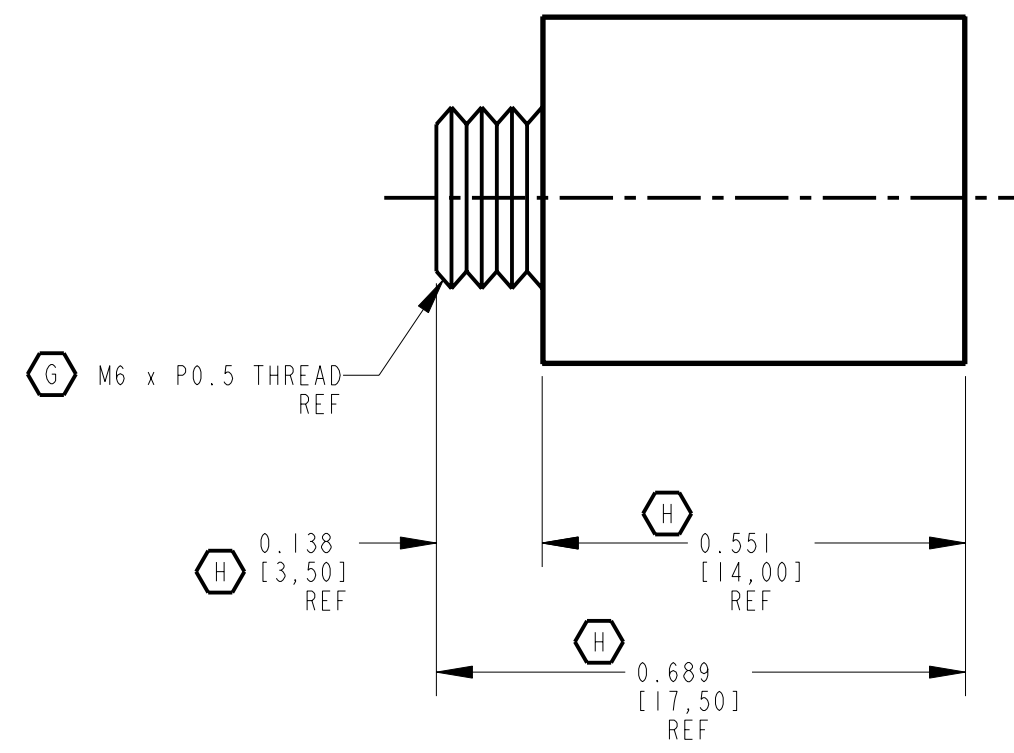
3. MATERIALS:  
 HOUSING: PBT BLACK, UL94-V0  
 BUSHING: BRASS, NICKEL PLATED  
 SPRINGS: BRASS EXCEPT RING SPRING PHOSPHOR BRONZE, SILVER PLATED  
 COVER: POLYCARBONATE, CLEAR, UL94-V0

4. MOUNTING NUT HARDWARE INCLUDED.

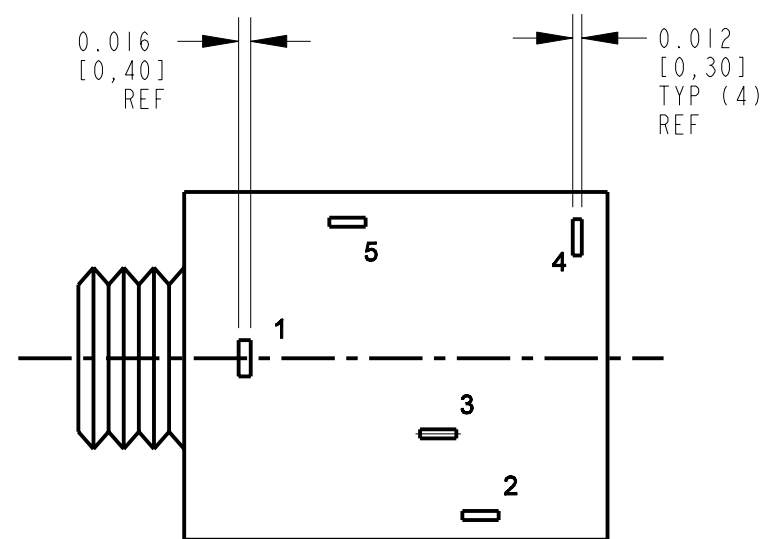
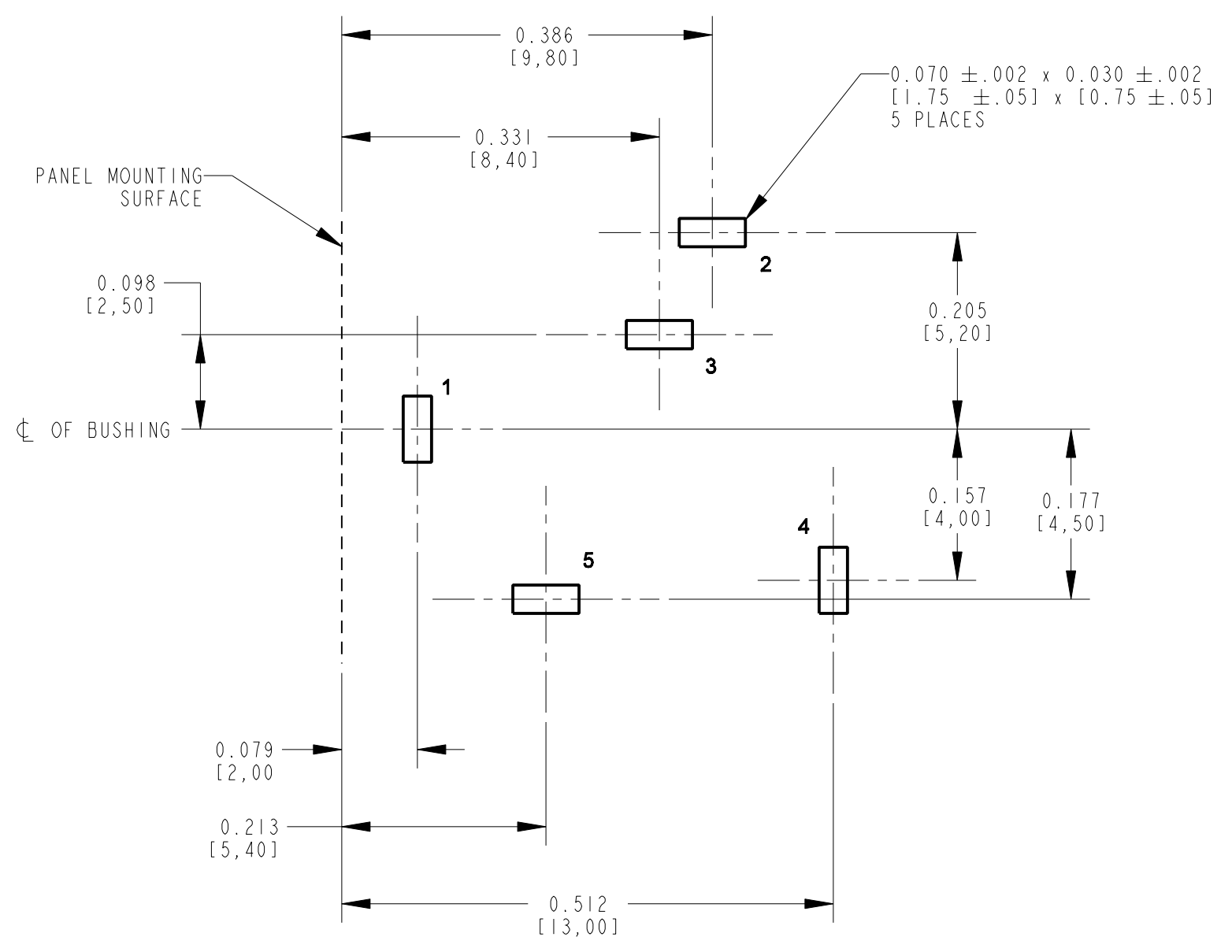
5. THIS PRODUCT IS RoHS COMPLIANT.



SCALE 4:1



PART NO.	SCHEMATIC
35RAPC3BH3	
35RAPC4BH3	
35RAPC2BH3	
35RAPC2AH3	



SUPPLIED WITH KNURL NUT

CUSTOMER DRAWING

REVISIONS				STAR SYMBOL DENOTES CRITICAL DIMENSION				THIS DRAWING DESCRIBES A DESIGN CONSIDERED PROPRIETARY IN NATURE, DEVELOPED AND MANUFACTURED BY SWITCHCRAFT INC. AND IS RELEASED ON A CONFIDENTIAL BASIS FOR IDENTIFICATION PURPOSES ONLY.					
REV	ECO NUMBER	DATE	BY	APVD	SIZE	WIDTH	MULT	LBS/M	TEMPER	FINISH		MATERIAL	
										SPEC No.		SPEC No.	
					UNLESS OTHERWISE SPECIFIED				FIRST USED ON				
					1. ALL DIMENSIONS IN INCHES				SCALE 4:1				
					- TWO PLACE DECIMALS $\pm 0.01$				DATE DRAWN				
					- THREE PALCE DECIMALS $\pm 0.005$				BY				
					- FRACTIONAL DIMENSIONS $\pm 1/64$				CHKD				
					- ANGLES $\pm 1'$				ES				
					- ALL DIA. CONCENTRIC WITHIN 0.005 T.I.R.				APVD				
					2. FEATURES ON THE SAME CENTERLINE MUST BE ALIGNED WITHIN $\pm 0.002$				9-Dec-93				
					3. REMOVE ALL BURRS				EBR				
					DO NOT SCALE DRAWING				12-10-93				
									NAME				
									3.5MM HORIZONTAL STEREO JACK, RoHS				
									PART No.				
									35RAPC_H3				
									SHEET   OF				
									REV				
									H				

RECOMMENDED PC BOARD COMPONENT SIDE