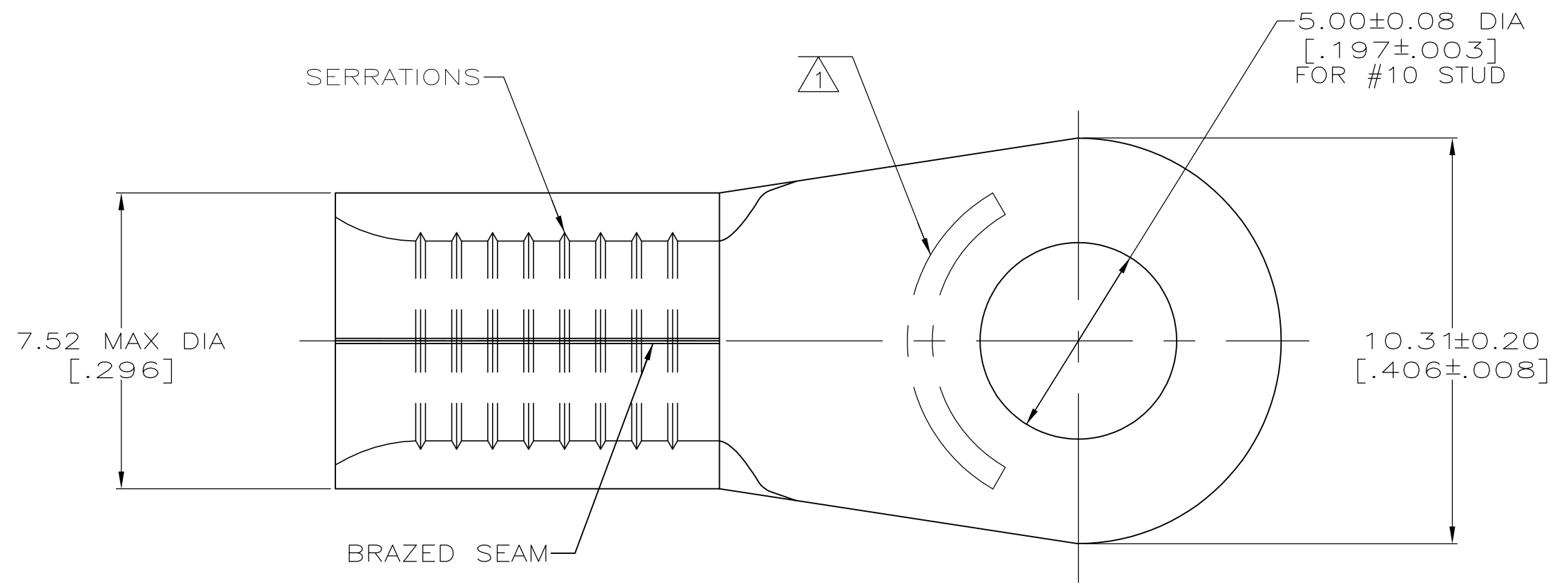


LOC	DIST	REVISIONS			
P	LTR	DESCRIPTION	DATE	DWN	APVD
G	14	C2	REVISED PER ECO-11-004917	11MAR11	RK HMR

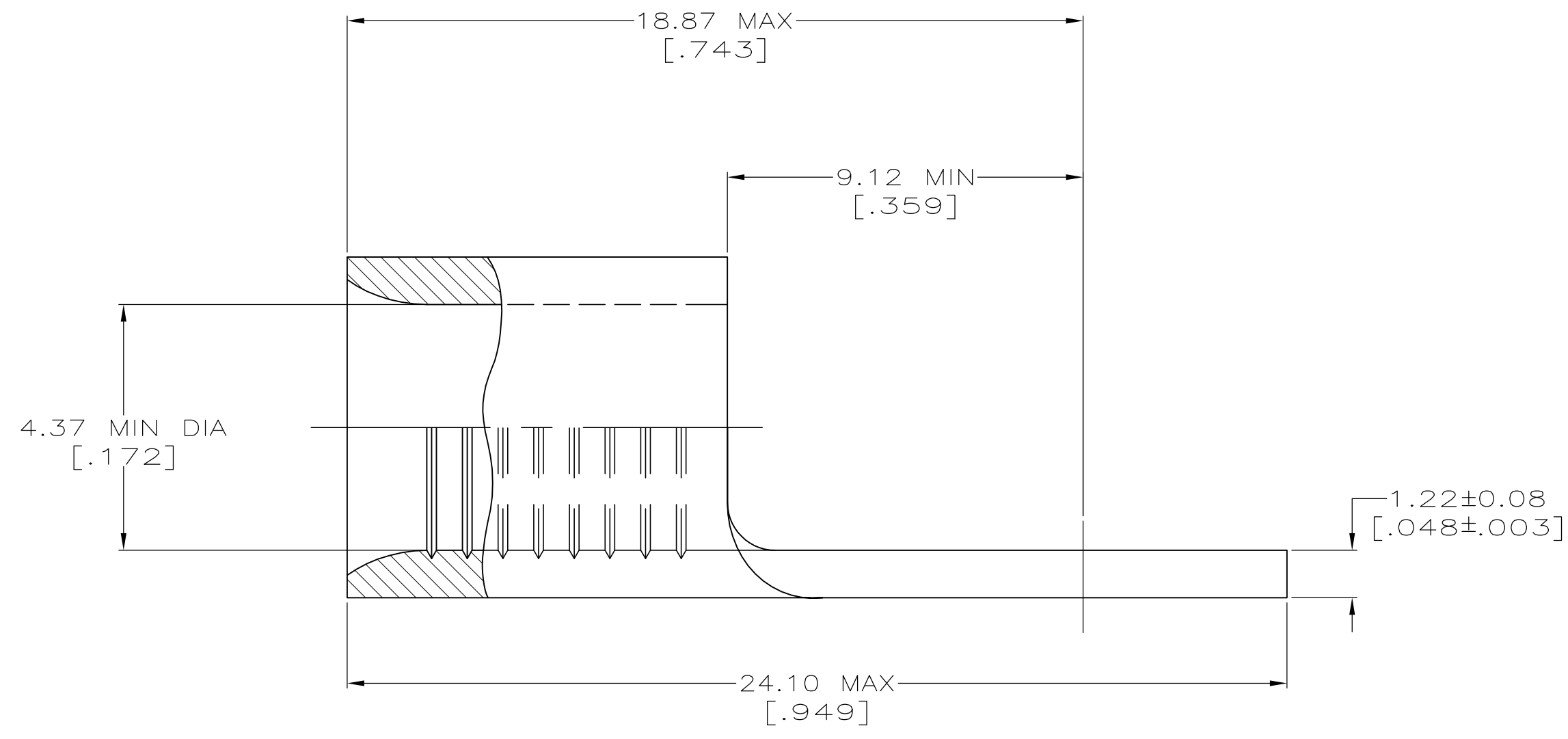


**AMP**  
WIRE RANGE

---

8 AWG  
SOLID OR STRANDED

- △1 STAMP AMP 8\* APPROX AS SHOWN
- △2 COPPER PR ASTM B-152, ANNEALED
- △3 NICKEL PLATE 0.00762 [.000300] MIN THK PER QQ-N-290.



323165  
PART NO.

MAX RECOMMENDED OPERATING TEMPERATURE: 343°C MAX	THIS DRAWING IS A CONTROLLED DOCUMENT.		DWN TA BRINKMAN 4-19-93	<b>STE</b> TE Connectivity
	VOLTAGE RATING: N/A	DIMENSIONS: mm[INCHES]	CHK DA PATTERSON 4-19-93	
CIRCULAR MIL AREA: 6.64-10.50mm <sup>2</sup> [13,100-20,800] SOLID OR STRANDED	TOLERANCES UNLESS OTHERWISE SPECIFIED: 0 PLC ± - 1 PLC ± - 2 PLC ± - 3 PLC ± - 4 PLC ± - ANGLES ± ± -	APVD JL MECKLEY 4-19-93	NAME JL MECKLEY	PRODUCT SPEC -
MATERIAL △2	FINISH △3	APPLICATION SPEC -	SIZE A2	CAGE CODE 00779
		WEIGHT -	DRAWING NO G-323165	RESTRICTED TO -
		CUSTOMER DRAWING	SCALE 8:1	SHEET 1 OF 1
			REV C2	