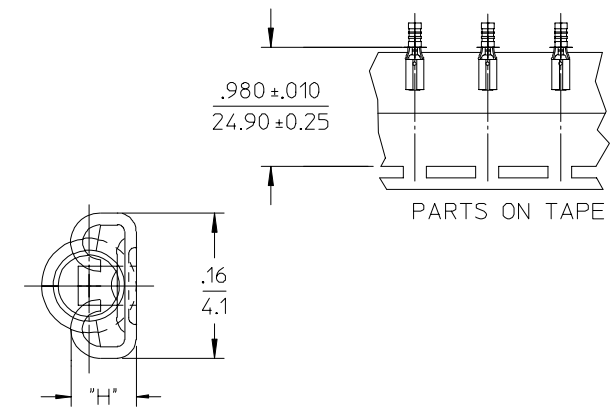
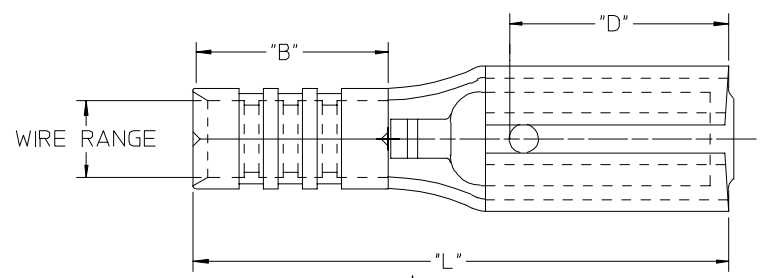


MATERIAL NUMBER	ENGINEERING NUMBER	TAPE MATERIAL NUMBER	TAPE ENGINEERING NUMBER	WIRE RANGE AWG MM <sup>2</sup>	FITS MALE TAB SIZE	"L" MAX.	"B" ±.01/(±0.3)	"H" ±.01/(±0.3)
190160112	M-1133	190160097	M-1133T	26-24 0.1 -0.3	.110x.032 (2.80 X 0.81)	.53 (13.5)	.16 (4.1)	.08 (2.0)
190160037	BB-1135	190160038	BB-1135T	16-14 1.0-2.6	.110x.032 (2.80 X 0.81)	.57 (14.5)	.20 (5.1)	.08 (2.0)
190160075	M-1130	190160076	M-1130T	26-24 0.1 -0.3	.110x.020 (2.80 X 0.51)	.53 (13.5)	.16 (4.1)	.07 (1.8)
190160035	BB-1132	190160036	BB-1132T	16-14 1.0-2.6	.110x.020 (2.80 X 0.51)	.57 (14.5)	.20 (5.1)	.07 (1.8)



NOTES:  
 1. MATERIAL: BRASS .012 (.30) THK.  
 FINISH: ELECTRO-TIN PLATING

WAS: CD-1903 EC NO: ETC2005-0016 DRWN: BENDERLE 2004/07/29 CHKD: BENDERLE 2004/07/29 APPR: RDEROSS 2004/07/29	QUALITY SYMBOLS	GENERAL TOLERANCES (UNLESS SPECIFIED)	SCALE NONE	DESIGN UNITS INCH	THIRD ANGLE PROJECTION	REVISE ON CAD ONLY
	DESCRIPTION ▽ = 0 ▽ = 0	4 PLACES ± --- ± ---	DIMENSION STYLE IN/MM	TITLE		
		3 PLACES ± --- ± ---	DRAWN BY DATE	KRIMPTITE QUICK DISCONNECTS MOLEX INCORPORATED		
		2 PLACES ± --- ± ---	BENDERLE 2004/07/26			
1 PLACE ± --- ± ---	CHECKED BY DATE	MATERIAL NO.	DOCUMENT NO.	SHEET NO.		
ANGULAR ± --- °	R DEROSS 2004/07/26	SEE CHART	SD-19016-001	1 OF 1		
DRAFT WHERE APPLICABLE	APPROVED BY DATE	THIS DRAWING CONTAINS INFORMATION THAT IS PROPRIETARY TO MOLEX INCORPORATED AND SHOULD NOT BE USED WITHOUT WRITTEN PERMISSION				
MUST REMAIN WITHIN DIMENSIONS	R DEROSS 2004/07/26					