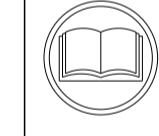


ATLANTIC VERSION TERMINATOR INTERFACE ADAPTER. Table with columns: PART NUMBER, REVISION, DESCRIPTION, FEED TYPE, CONVERT TO, PART NUMBERS REQUIRED.

APPLICATOR DATA. Table with columns: CRIMP, SIZE, TYPE. WIRE 1.27 mm [.050] F. INSUL 1.27 mm [.050] F.

TERMINAL DATA: HIROSE TERMINAL HIROSE CRIMP SPECIFICATION. TABLE WITH COLUMNS: TE TERMINAL, HIROSE TERMINAL, TE TERMINAL, HIROSE TERMINAL.

WIRE SIZE. CRIMP HEIGHT mm [INCH]. CRIMP HEIGHT REFERENCE SETTING.



- 1 RECOMMENDED SPARE PARTS
2 GREASE BEARING SURFACES LIGHTLY
3 LUBRICATE DAILY PER THE APPLICATOR INSTRUCTION SHEET SUPPLIED WITH THE APPLICATOR.
4 APPLICATOR SPECIFIC DATA TO BE ENTERED INTO BLANK MEMORY CHIP AT ASSEMBLY...
5 ADJUSTMENT OF THE STRIPPER MAY BE REQUIRED WHEN MOVING THE APPLICATOR BETWEEN BENCH AND LEADMAKER APPLICATIONS.
6 APPLY PART NUMBER 1-23419-5 LOCTITE TO THREADS OF ITEMS 62 & 180.
7 GREASE THREADS, GROOVE AND O-RING ON ITEMS 35 & 252.
8 MAGNET, ITEM 166 MUST BE ORIENTED CORRECTLY IN ORDER TO PROPERLY ACTUATE THE COUNTER.
9 CRIMP HEIGHT REFERENCE SETTING WAS THE SETTING USED WHEN THE APPLICATOR WAS QUALIFIED AT THE FACTORY.
10 SPARE FEED CAM STORAGE LOCATION REFER TO INSTRUCTION SHEET FOR ADDITIONAL INFORMATION.
11 TO CONVERT THE APPLICATOR TO A NON-CARRIER CUTTING STYLE...
12 WHEN ASSEMBLING A NON CRIMP HEIGHT ADJUST APPLICATOR (-6) USE SHIMS FROM ITEM 260 TO ACHIEVE A NOMINAL SHIM HEIGHT OF 4.88.

*WARNING ON INSTALLATION, SET WIRE DISC, ITEM 40 TO LARGEST WIRE SIZE SETTING. USE OF SETTINGS BELOW MINIMUM REQUIRED CRIMP HEIGHT SETTING WILL CAUSE DAMAGE TO CRIMP TOOLING.

Table with columns: PART NO, DESCRIPTION, ITEM NO. Rows include: 2119957-2 APPLICATOR SHIM PACK, 8-21084-0 O-RING, .676 ID, .070 DIA. MAT., etc.

ATLANTIC VERSION Shown on sheets 1 of 4 & 2 of 4 (Pacific version shown on sheets 3 of 4 & 4 of 4)

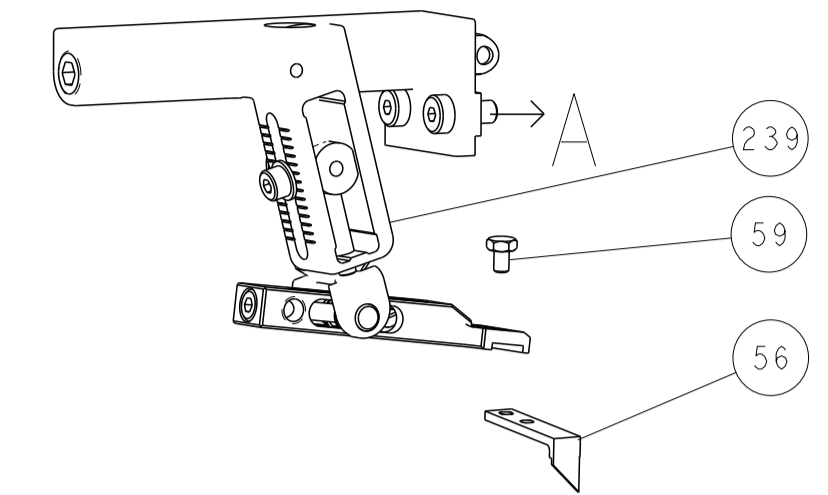
SET UP GAUGE 2119599-1. REVISIONS table with columns: P, LTR, DESCRIPTION, DATE, DWN, APVD.

Main parts list table with columns: P, LTR, DESCRIPTION, DATE, DWN, APVD. Rows include: 2079764-1 WASHER, WAVE SPRING, CREST-TO-CREST, 2119083-1 RETAINER, INSULATION DIAL, etc.

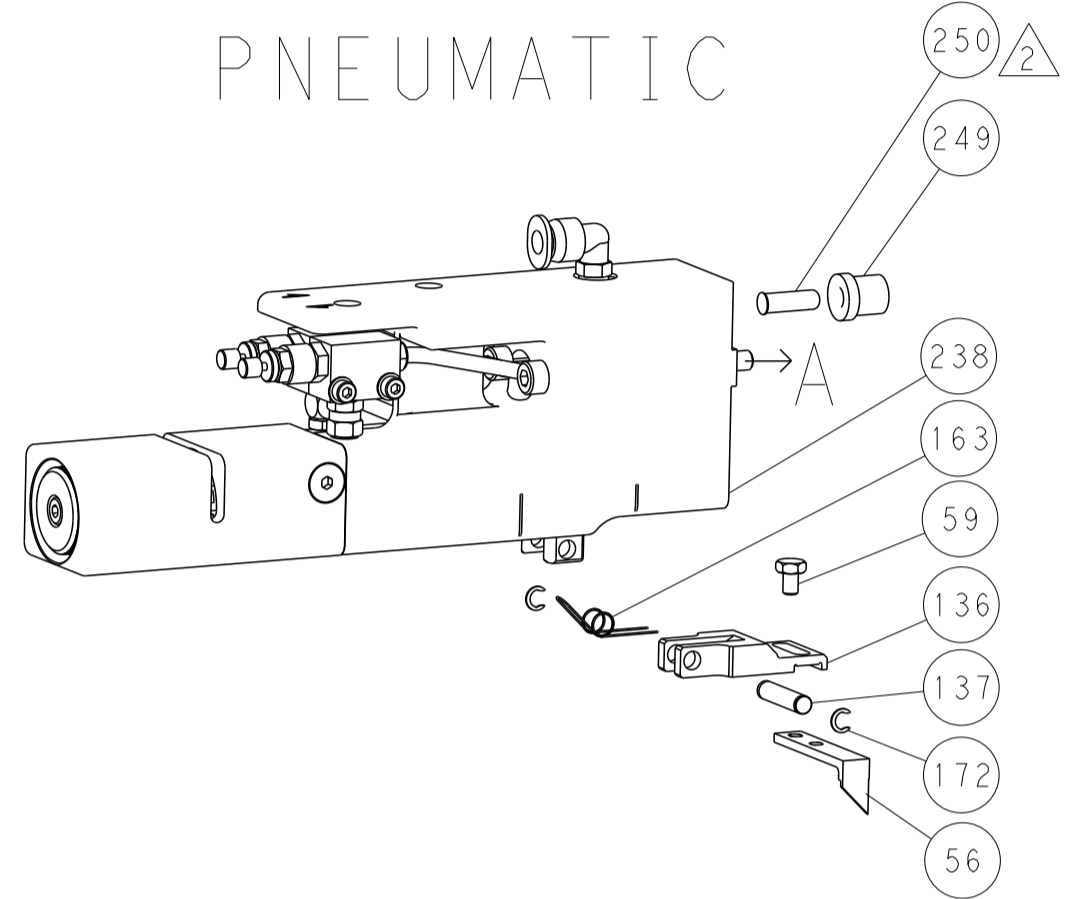
TE Connectivity logo and product information: Ocean Side Feed Applicator, Part No. 00779, Scale 1:2, Sheet 1 of 4.

LOC	DIST	REVISIONS					
A	66	P	LTN	DESCRIPTION	DATE	DWN	APVD
		-		SEE SHEET 1			

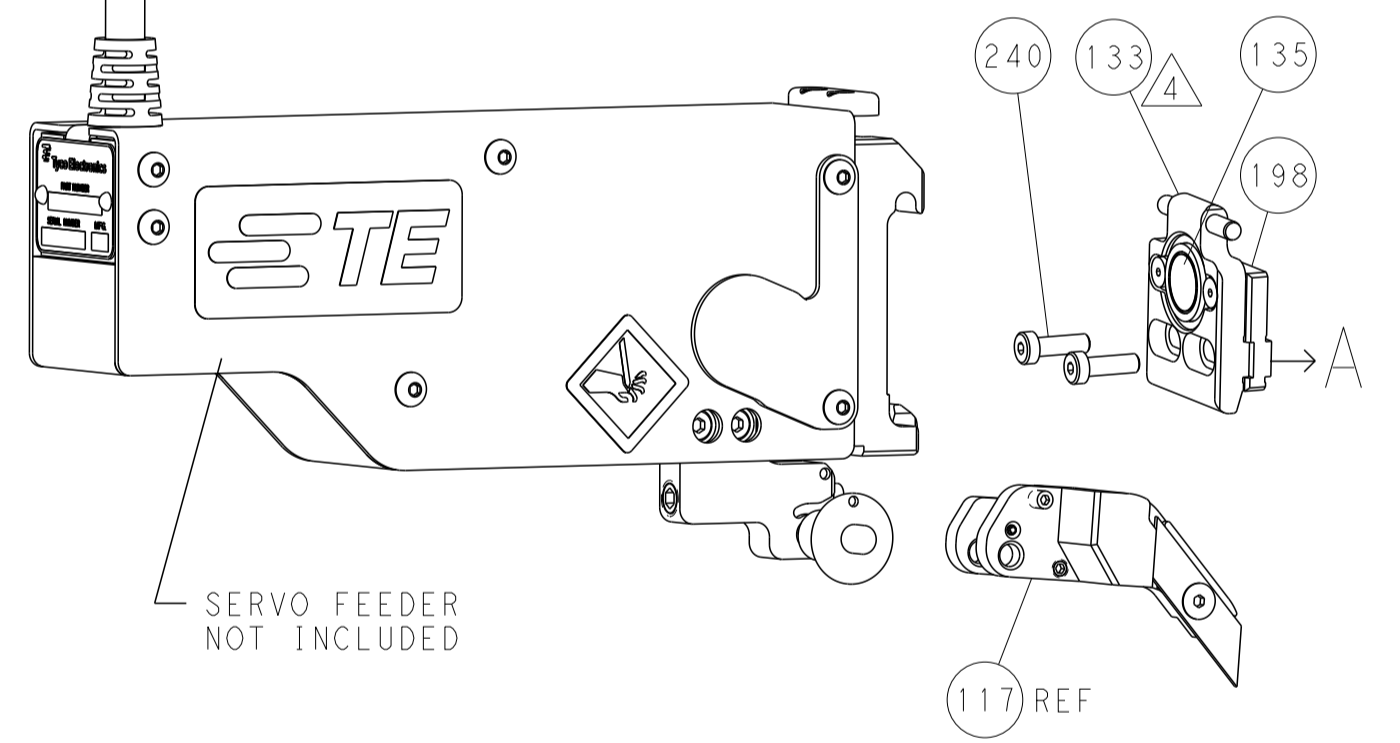
FEED TYPE MECHANICAL



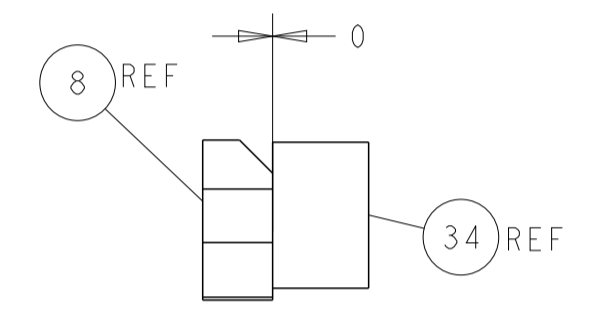
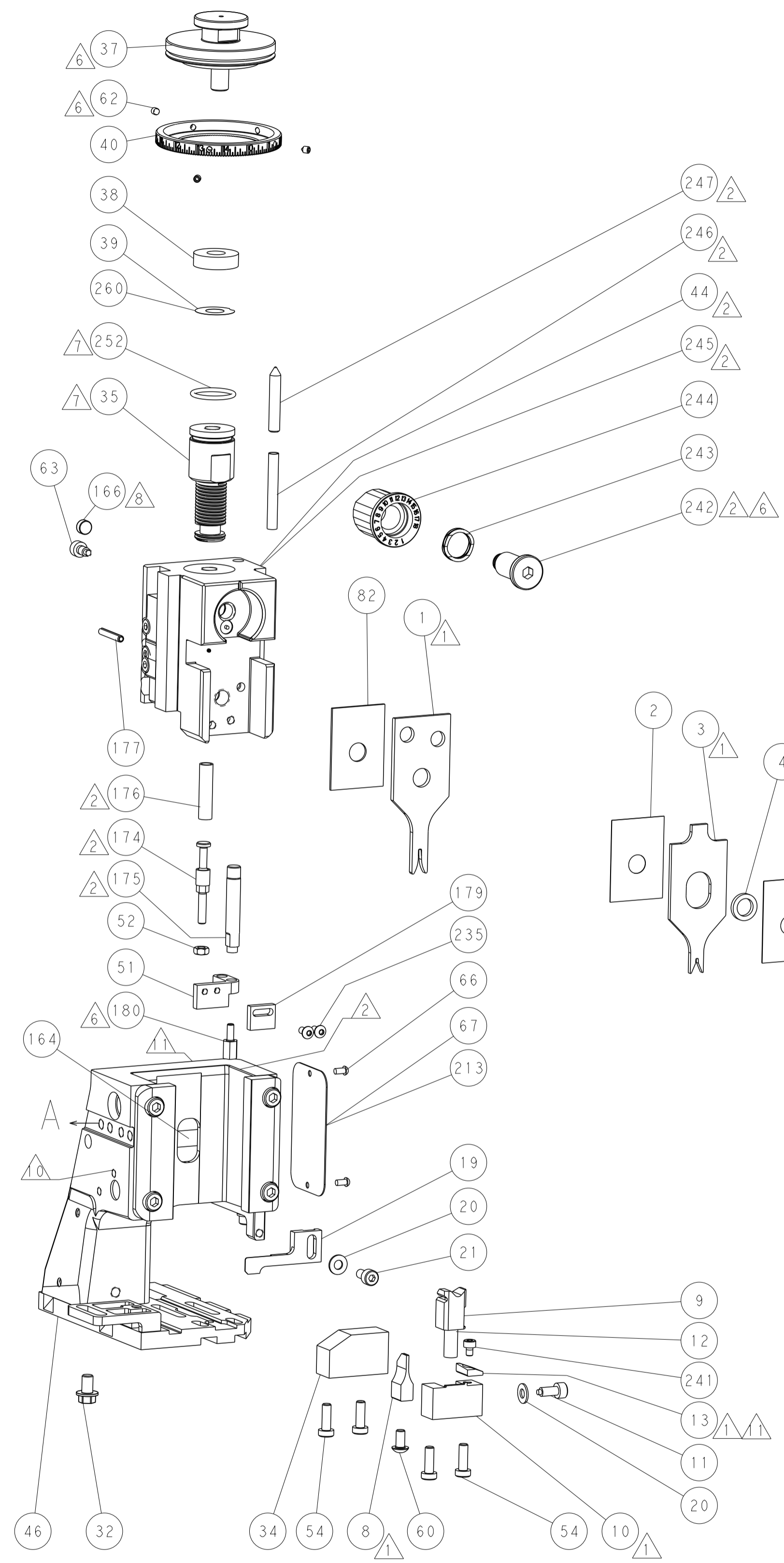
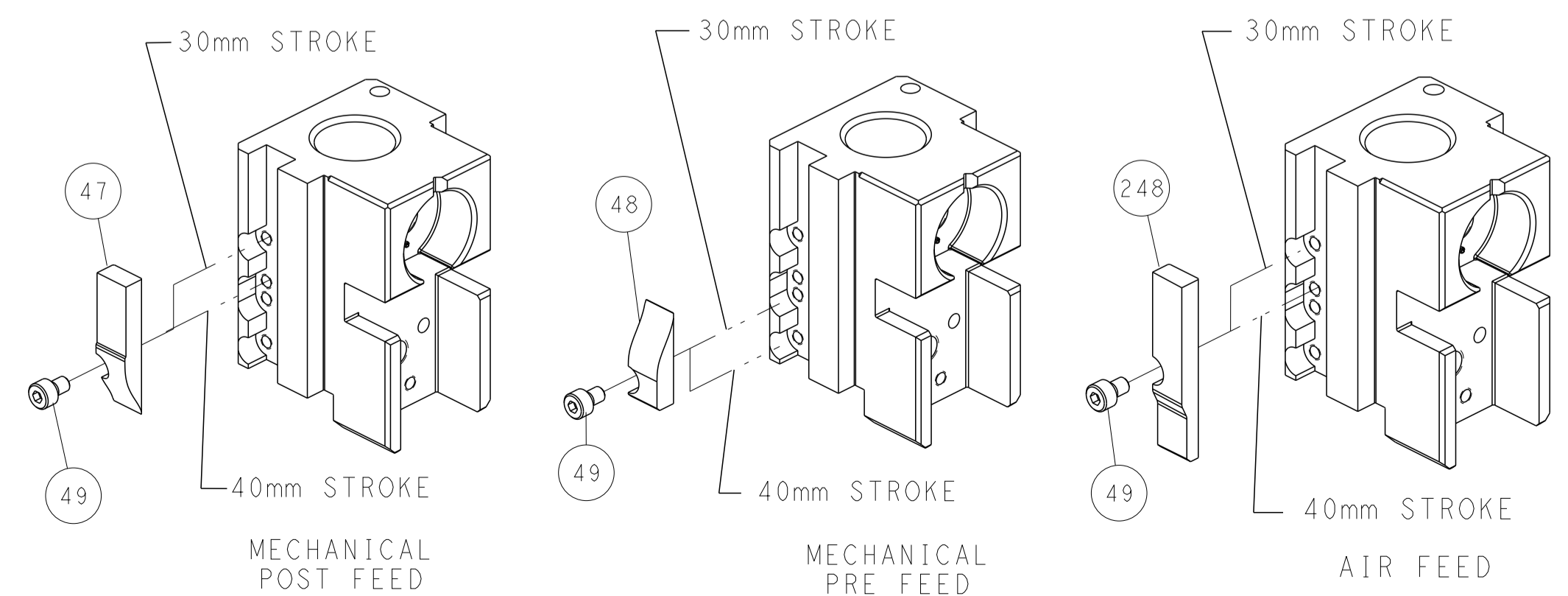
PNEUMATIC



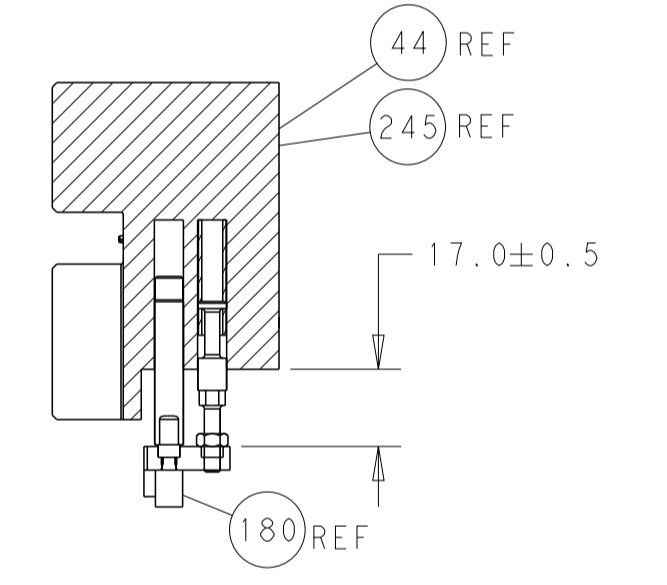
SERVO LATCH PLATE



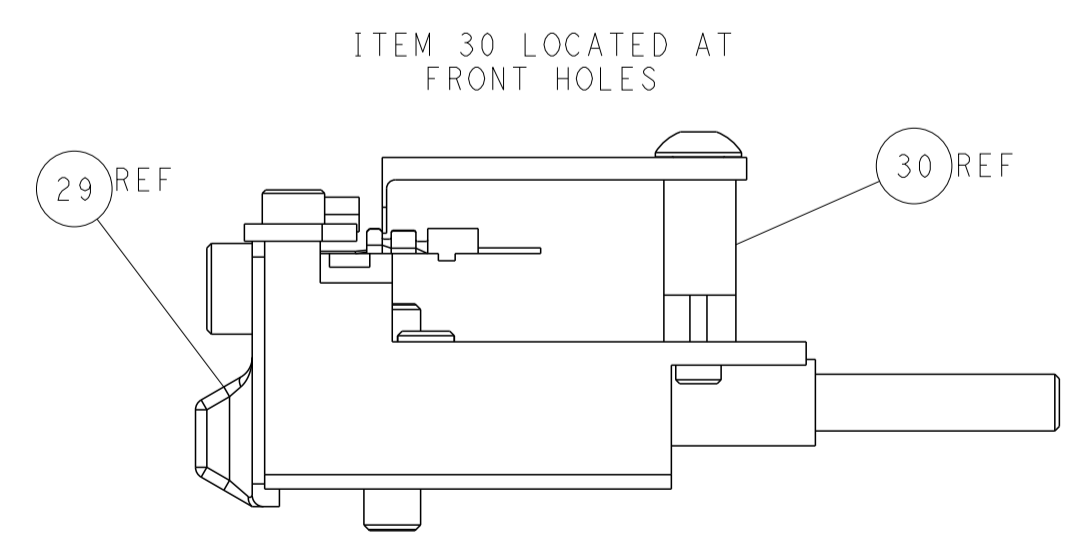
CAM POSITIONS



TERMINAL SUPPORT LOCATION



HOLDDOWN SET-UP



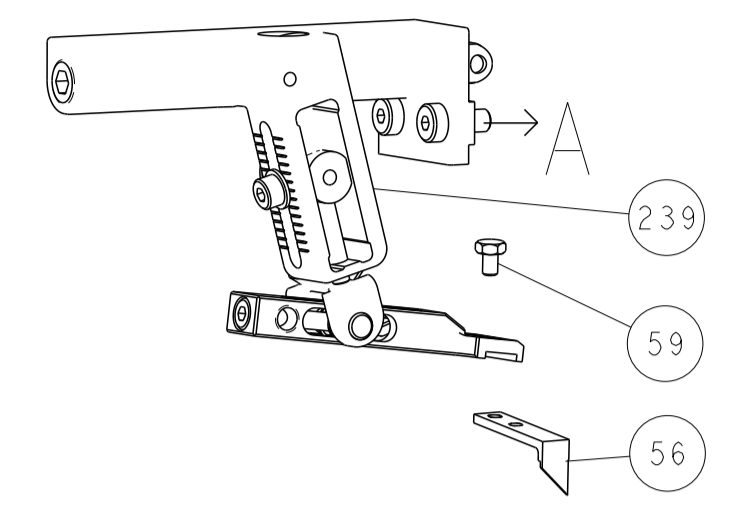
FEED TRACK POSITION GUIDE BY INSULATION BARREL

ATLANTIC VERSION
 Shown on sheets 1 of 4 & 2 of 4
 (Pacific version shown on sheets 3 of 4 & 4 of 4)

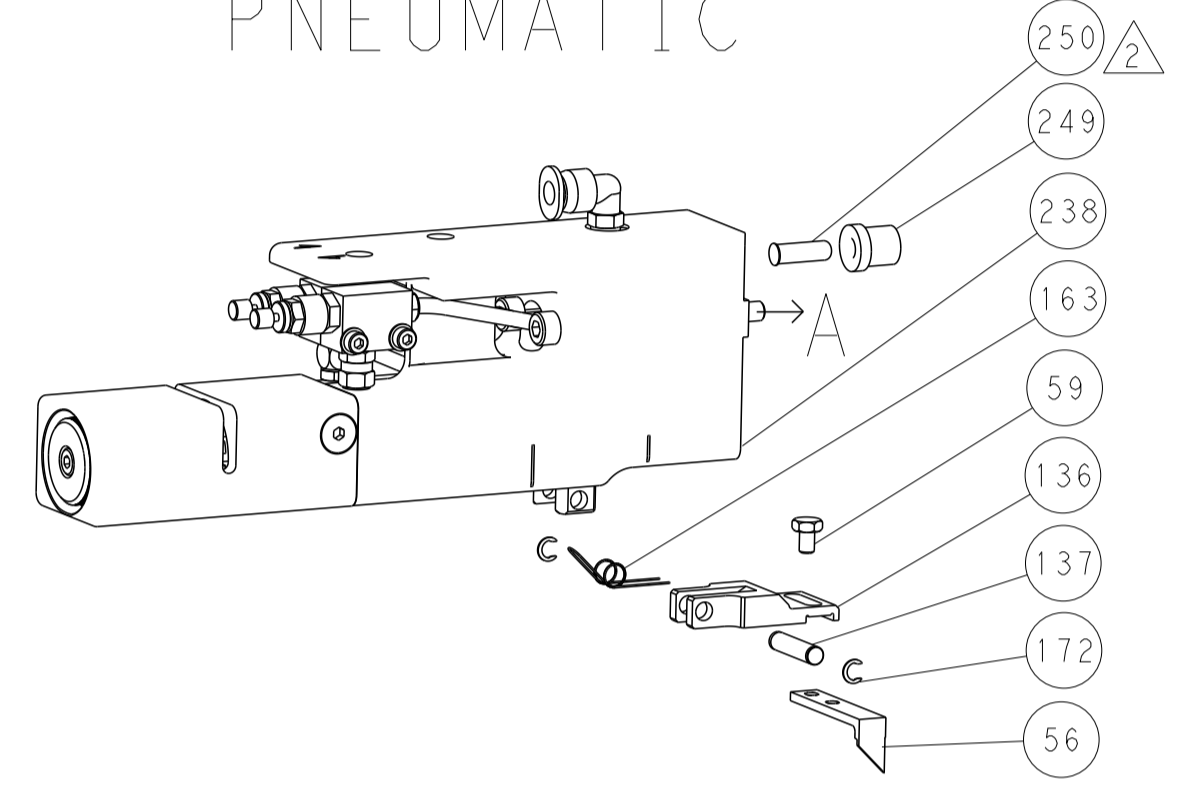
DIMENSIONS: mm 		TOLERANCES UNLESS OTHERWISE SPECIFIED: 0 PLC ± 1 PLC ± 2 PLC ± 3 PLC ± 4 PLC ± ANGLES ± FINISH		DWN L. GROSS 11JUN2014 CHK T. ELBIN 11JUN2014 APVD D. STOUGH 11JUN2014 PRODUCT SPEC APPLICATION SPEC WEIGHT Customer Accessible Production Drawing		NAME Ocean Side Feed Applicator SIZE CAGE CODE DRAWING NO. RESTRICTED TO A1 00779 C=2266334 SCALE 1:2 SHEET 2 OF 4 REV B	
MATERIAL:				TE Connectivity Harrisburg, PA 17105-3608			

LOC		DIST		REVISIONS			
A	66	P	LTM	DESCRIPTION	DATE	OWN	APVD
		-		SEE SHEET 1			

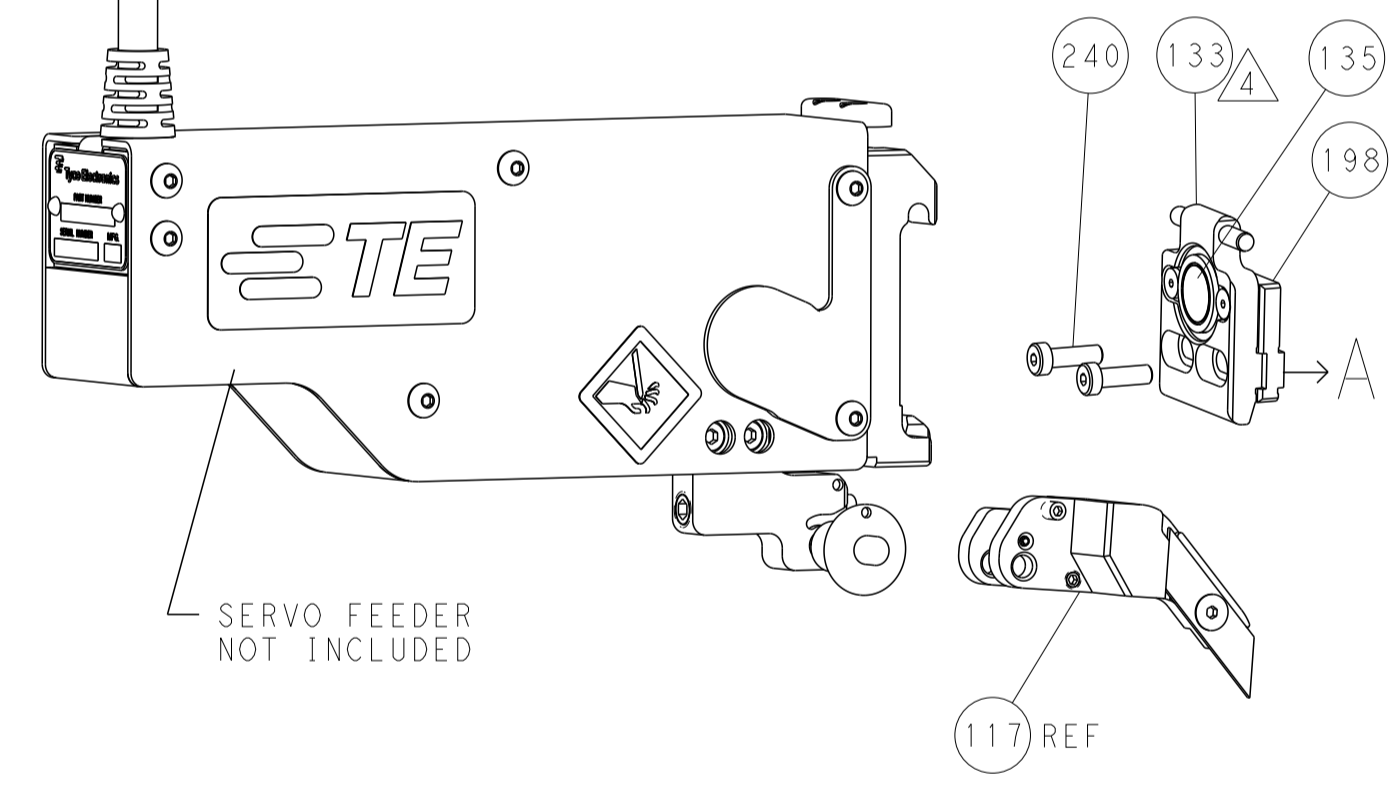
FEED TYPE MECHANICAL



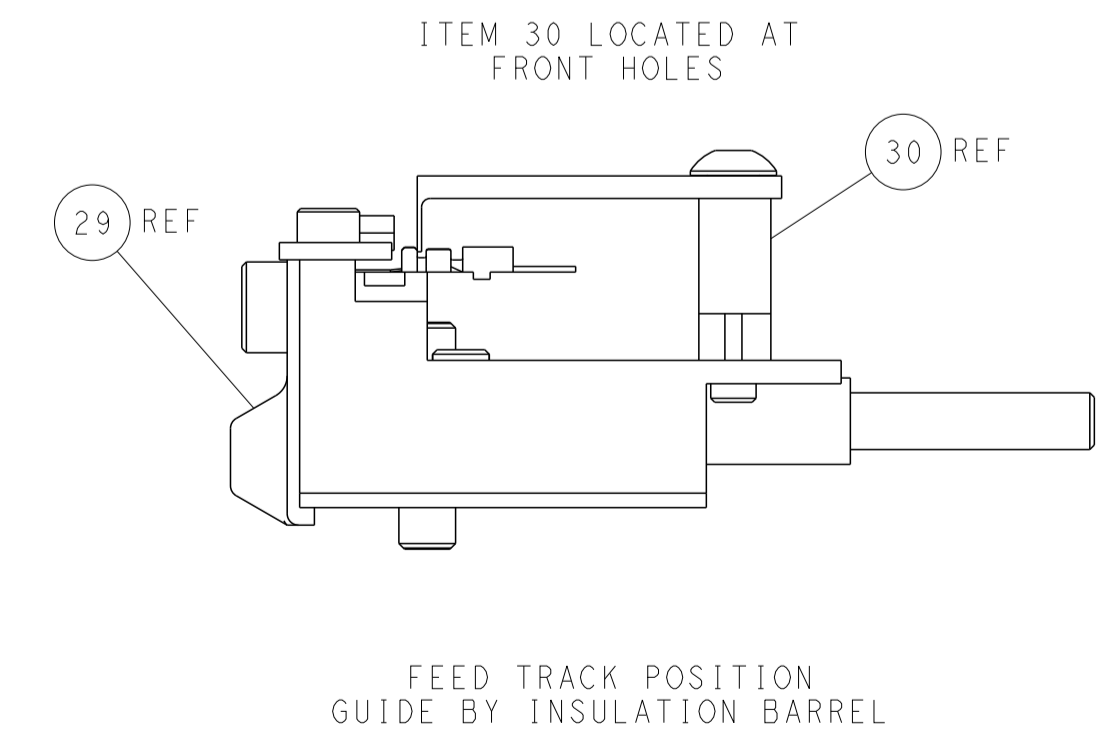
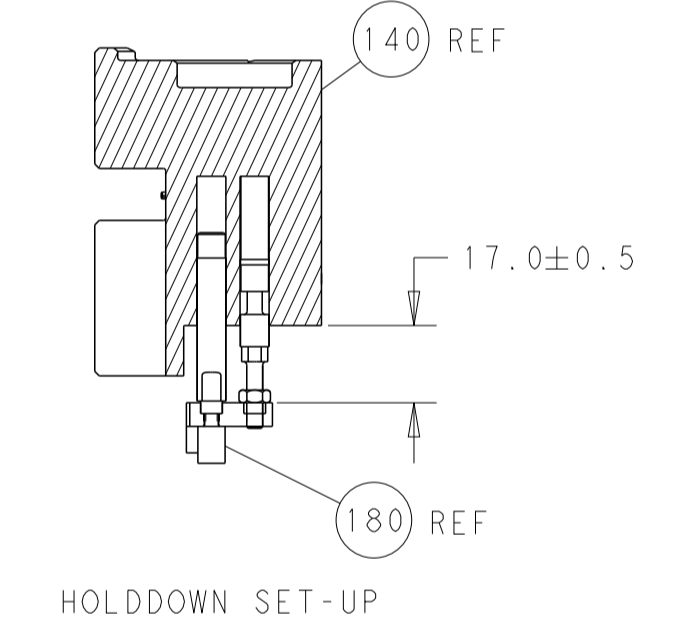
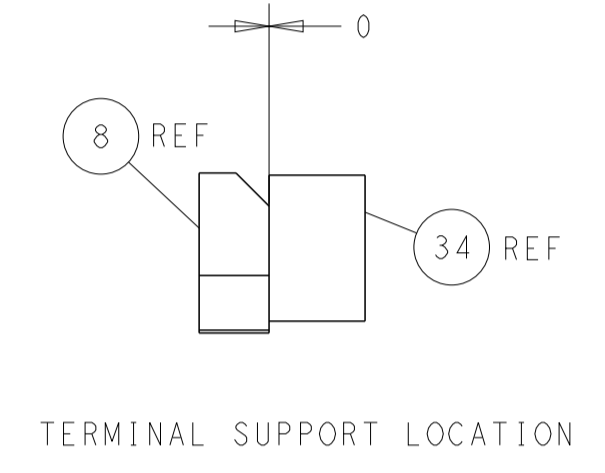
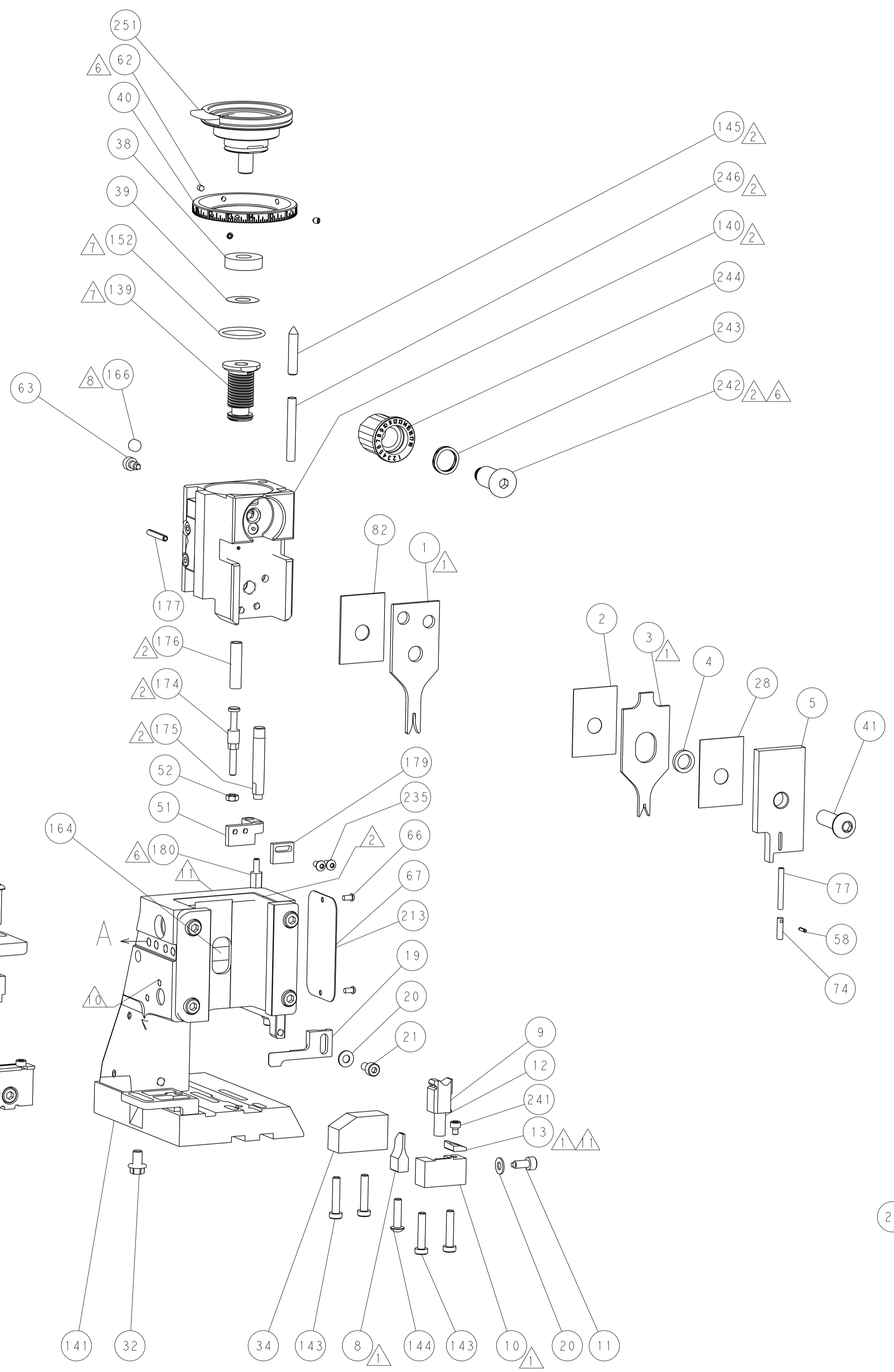
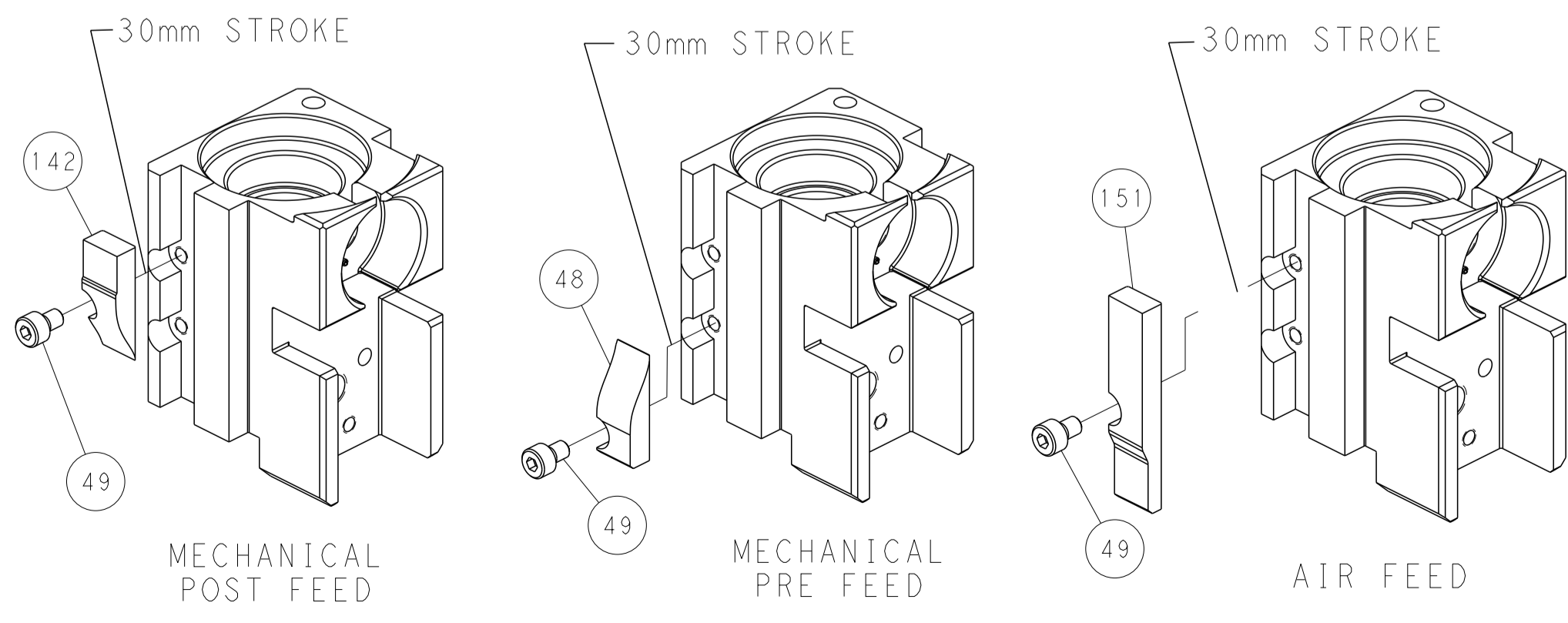
PNEUMATIC



SERVO LATCH PLATE



CAM POSITIONS



PACIFIC VERSION
 Shown on sheets 3 of 4 & 4 of 4
 (Atlantic version shown on sheets 1 of 4 & 2 of 4)

<small>THIS DRAWING IS UNPUBLISHED. RELEASED FOR PUBLICATION. ALL RIGHTS RESERVED. THIS DRAWING IS THE PROPERTY OF TYCO ELECTRONICS CORPORATION. IT IS TO BE USED ONLY FOR THE PURPOSES SPECIFIED AND IS NOT TO BE REPRODUCED OR TRANSMITTED IN ANY FORM OR BY ANY MEANS, ELECTRONIC OR MECHANICAL, INCLUDING PHOTOCOPYING, RECORDING, OR BY ANY INFORMATION STORAGE AND RETRIEVAL SYSTEM, WITHOUT THE WRITTEN PERMISSION OF TYCO ELECTRONICS CORPORATION.</small>		DWN EL GROSS 11JUN2014 CHK T. ELBIN 11JUN2014 APVD D. STOUGH 11JUN2014 PRODUCT SPEC APPLICATION SPEC WEIGHT CUSTOMER ACCESSIBLE PRODUCTION DRAWING	NAME Ocean Side Feed Applicator SIZE A1 CAGE CODE 00779 DRAWING NO. C=2266334 SCALE 1:2 SHEET 4 OF 4 REV B	RESTRICTED TO -
--	--	---	--	--------------------