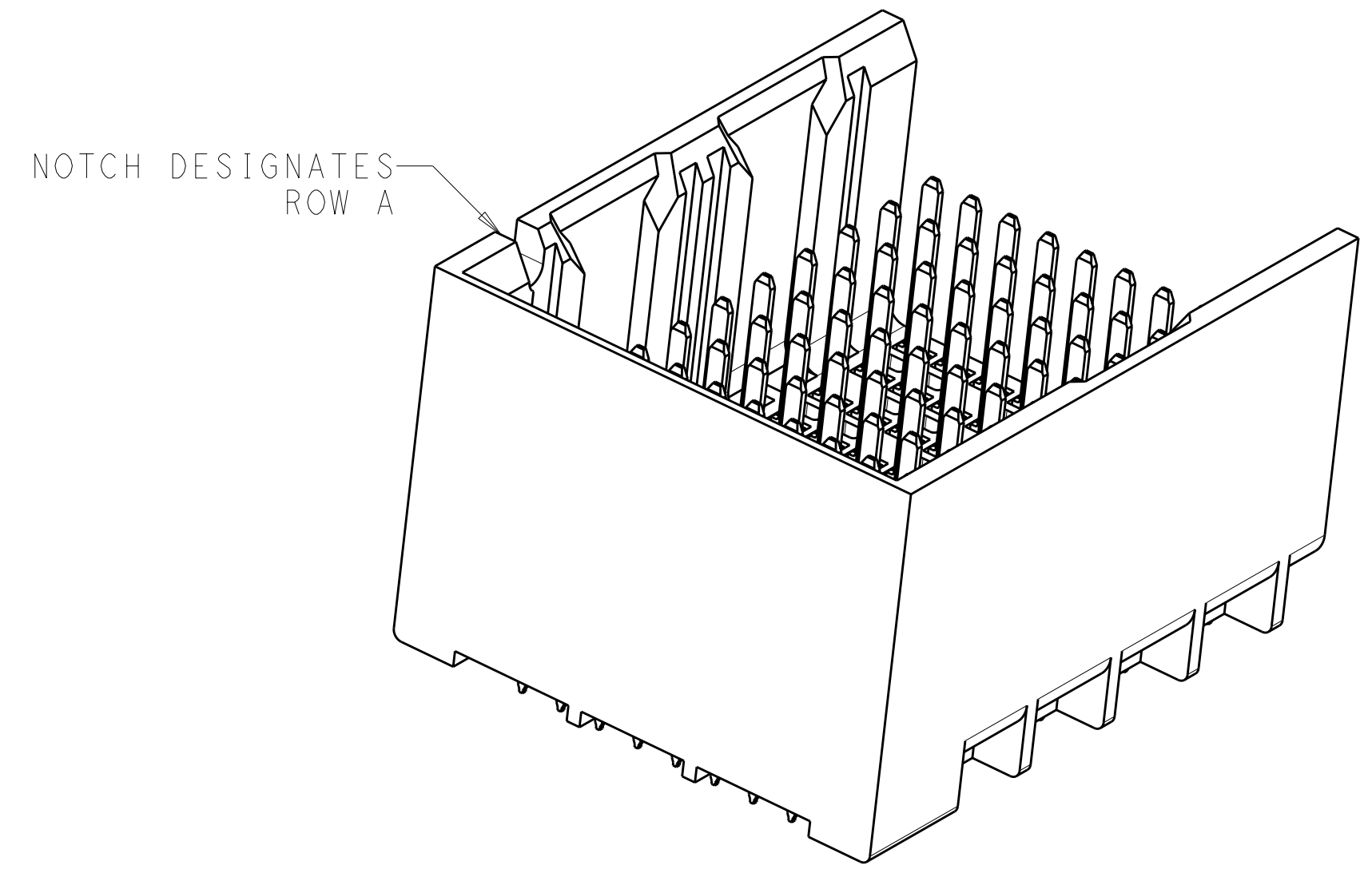
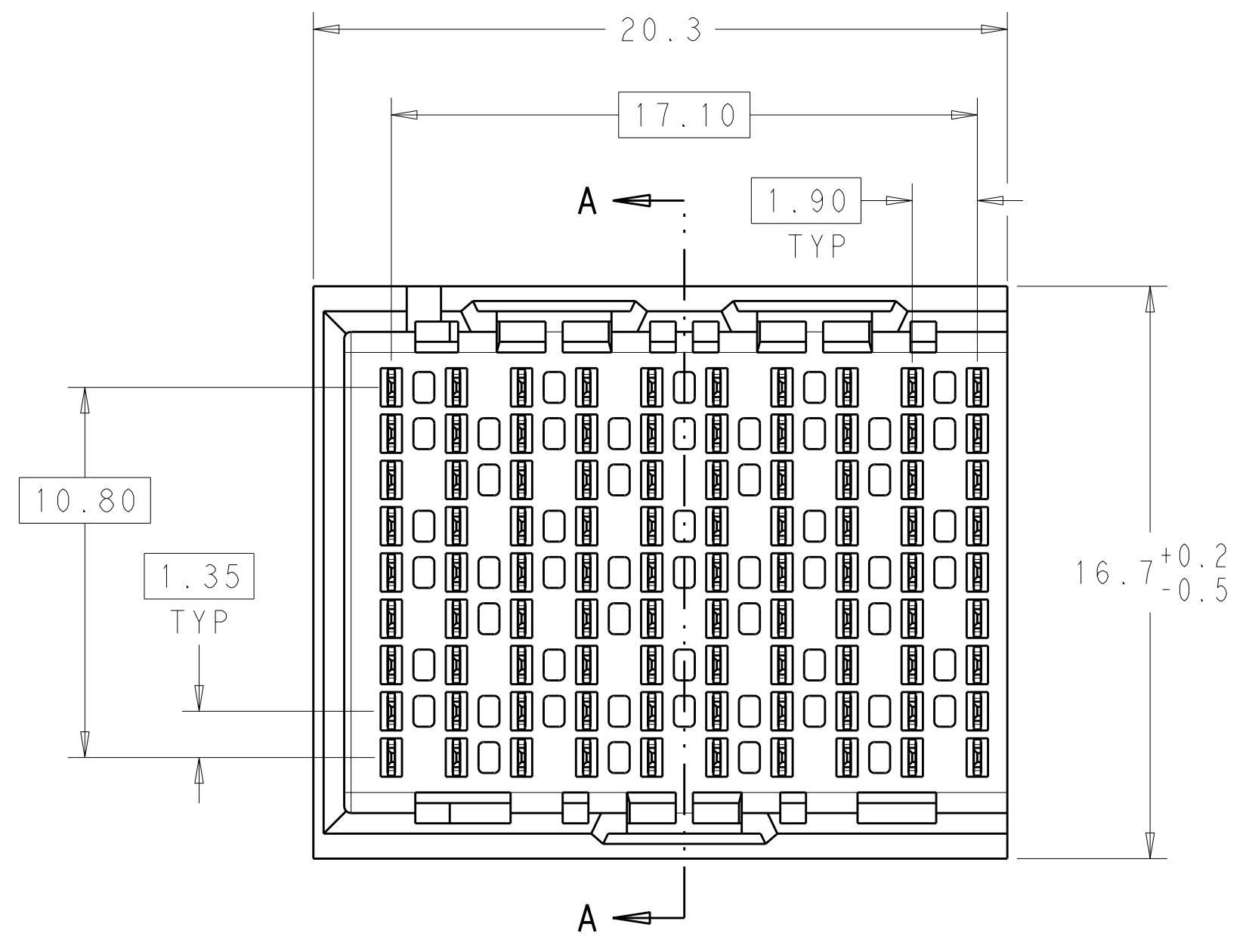
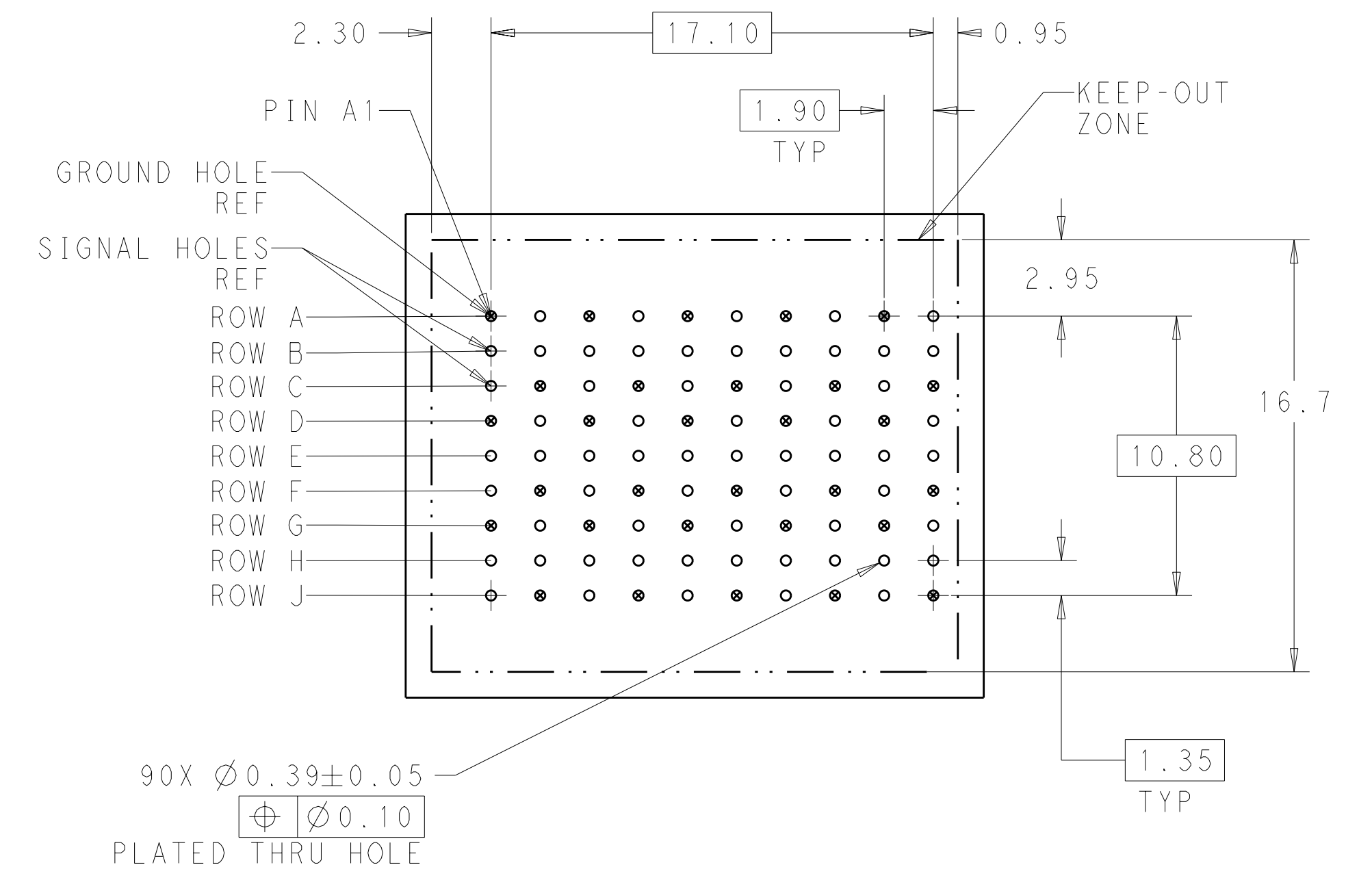


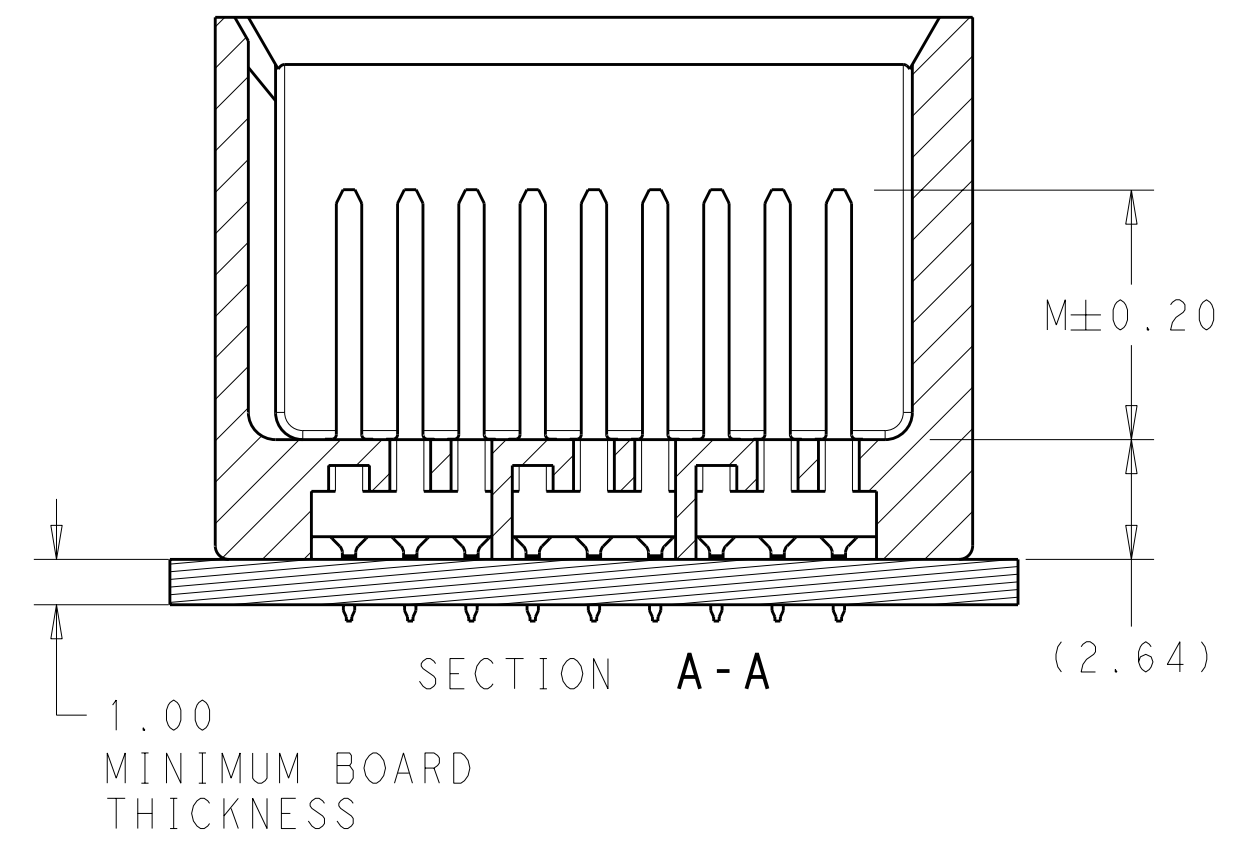
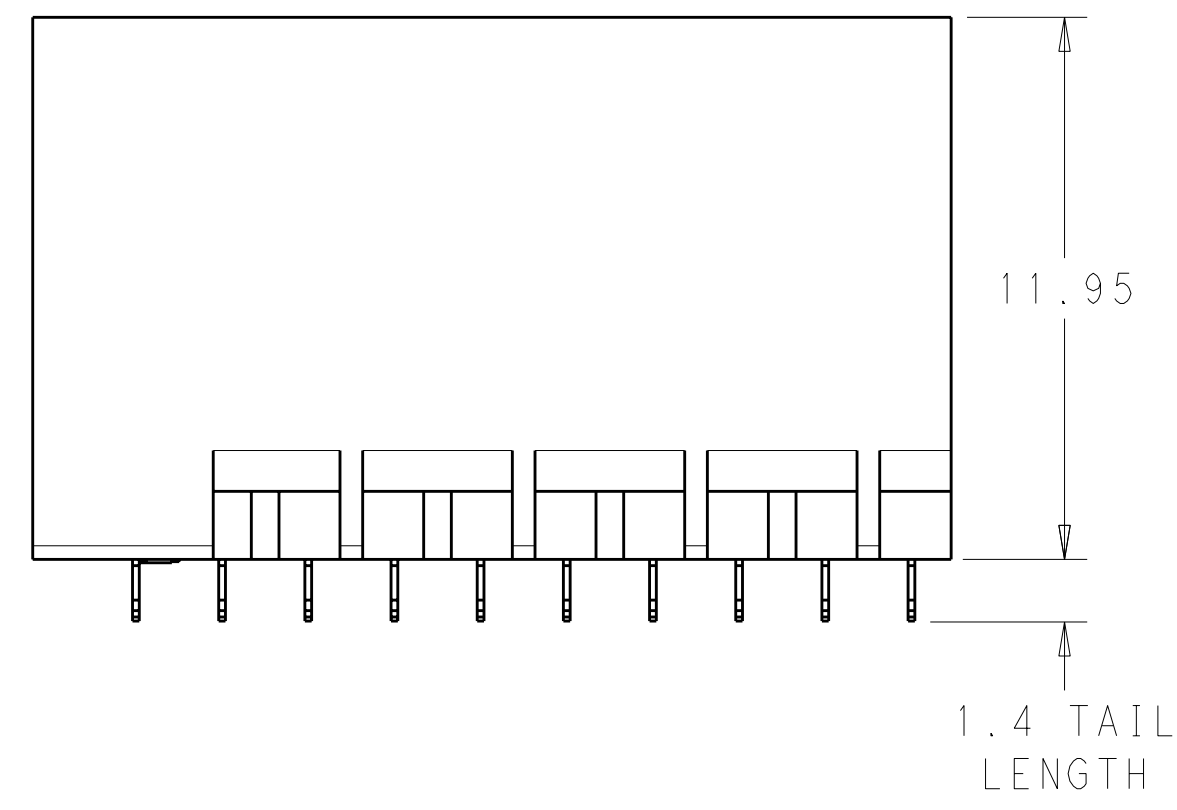
LOC	DIST	REVISIONS			
REV	DATE	BY	CHK	APPV	DESCRIPTION
B	22DEC11	KH	DY		REVISED PER ECO-11-025276
C	13FEB2012	BC	DY		REV PER ECO-12-002142



- 1 MATERIAL:
HOUSING: LCP, GLASS FILLED, UL94V-0.
TERMINALS: HIGH PERFORMANCE COPPER ALLOY.
- 2 FINISH:
30µ" MIN GOLD IN CONTACT AREA. SELECTIVE TIN ON PCB TAILS, NICKEL OVERALL.
- 3 FINISH:
30µ" MIN GOLD IN CONTACT AREA. SELECTIVE TIN-LEAD ON PCB TAILS, NICKEL OVERALL.



UNGUIDED BACKPLANE HOLE PATTERN (CONNECTOR SIDE)




THIS DRAWING IS A CONTROLLED DOCUMENT.		DWN J. K. SHOBER 21DEC2010	TE Connectivity
DIMENSIONS: mm		CHK J. EARY 21DEC2010	
TOLERANCES UNLESS OTHERWISE SPECIFIED:		APVD J. EARY 21DEC2010	NAME IMPACT, 3 PAIR, 10 COLUMN, HEADER UNGUIDED, LEFT END WALL SIGNAL MODULE, 0.39 PTH
0 PLC ±	1 PLC ±0.25	PRODUCT SPEC	SIZE CAGE CODE DRAWING NO RESTRICTED TO
2 PLC ±0.13	3 PLC ±	APPLICATION SPEC	A1100779C=2007789
4 PLC ±	ANGLES ±	WEIGHT	CUSTOMER DRAWING
MATERIAL	FINISH SEE TABLE	SCALE 6:1	SHEET 1 OF 2 REV C

THIS DRAWING IS UNPUBLISHED. RELEASED FOR PUBLICATION 20
 © COPYRIGHT 20 . . . ALL RIGHTS RESERVED.

LOC	DIST	REVISIONS				
AD	00	P	LTB	DATE	DWN	APVD
		-	-	SEE SHEET 1	-	-

FINISH	DIM M	PART NUMBER
△3	5.5	2007789-6
△3	4.9	2007789-5
△3	4.5	2007789-4
△2	5.5	2007789-3
△2	4.9	2007789-2
△2	4.5	2007789-1

REFER TO WWW.TE.COM
 FOR PRODUCT AVAILABILITY

THIS DRAWING IS A CONTROLLED DOCUMENT.		DWN J. K. SHOBER 21DEC2010	 TE Connectivity
DIMENSIONS: mm		CHK J. EARY 21DEC2010	
TOLERANCES UNLESS OTHERWISE SPECIFIED: 9 PLC ± 7 PLC ±0.25 5 PLC ±0.13 4 PLC ± ANGLES ± FINISH SEE TABLE		APVD J. EARY 21DEC2010	NAME IMPACT, 3 PAIR, 10 COLUMN, HEADER UNGUIDED, LEFT END WALL SIGNAL MODULE, 0.39 PTH
MATERIAL -	SEE TABLE	PRODUCT SPEC -	APPLICATION SPEC -
CUSTOMER DRAWING		WEIGHT -	RESTRICTED TO -
		SCALE 5:1	SHEET 2 OF 2
		REV C	