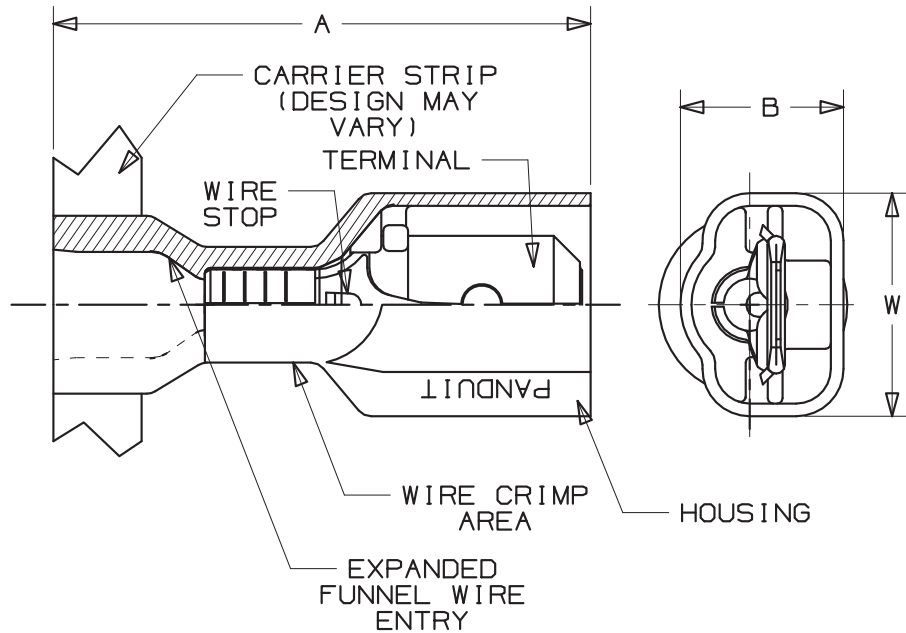


THIS COPY IS PROVIDED ON A RESTRICTED BASIS AND IS NOT TO BE USED IN ANY WAY DETRIMENTAL TO THE INTERESTS OF PANDUIT CORP.



NOTES:

1. USED FOR:
 - A. 600V MAX VOLTAGE RATING
 - B. 125°C (257°F) MAX TEMP RATING (UL)
 - 105°C (221°F) MAX TEMP RATING (CSA)
 - C. STRANDED COPPER WIRE ONLY
2. WIRE STRIP LENGTH: $7,1^{+0,8}_{-0}$ ($9/32^{+1/32}_{-0}$)
3. MAX WIRE INSULATION DIA 6,2 (.24)
MIN WIRE INSULATION DIA 2,5 (.10)
4. MATERIAL:
 - A. STAMPING: NICKLE PLATED BRASS
 - B. HOUSING : TYPE 6/6 NYLON
5. PACKAGING (CONTINUOUS MOLDED ON REEL):
 - A. BULK ONLY: -2K = 2000
6. DIMENSIONS IN BRACKETS ARE IN INCHES
7. COLORS ARE TRANSLUCENT
8. UL LISTED AND CSA CERTIFIED FOR AWG WIRE ONLY



LISTED
20H3
E78522



CERTIFIED
LR31212

		PANDUIT PRESS					
		CP-851 <i>DISCONTINUED</i>	CP-860 <i>DISCONTINUED</i>	CP-861	CP-862	CP-871 60HZ	CP-871/E 50HZ
APPLICATORS	CA-800		X	X			
	CA-800EZ	X				X	X
	CA9				X	X	X

PART NUMBER		TAB SIZE	WIRE RANGE 2 (mm AWG)	HOUSING COLOR (NOTE 7)	DIMENSIONS mm		
PREFIX	PK				A ± (.02)	W ± (.01)	B ± (.01)
DMNF1-63FIMX	-2K	6,3 X 0,8 (.250 X .032)	5-1,0** (22-18)	RED	24,6 (.97)	10,4 (.41)	7,4 (.29)
DMNF2-63FIMX	-2K	6,3 X 0,8 (.250 X .032)	1,5-2,5* (16-14)	BLUE	24,6 (.97)	10,4 (.41)	7,4 (.29)

* ALSO CSA CERTIFIED FOR USE WITH 2 #16 AWG OR 2 #18 AWG WIRES
 * * ALSO CSA CERTIFIED FOR USE WITH 2 #18 AWG, 2 #20 AWG, OR 2 #22 AWG WIRES

A41642_02

02	3/06	DAW	DAW	ADDED PANDUIT PRESS & APPLICATOR CHART	TRO0083				TINLEY PARK, ILLINOIS		
01	7/03	KLFU	SKB	ADDED INTERNAL SERRATIONS; ADDED CP-862, CD9 & CA9 TO CHART WIRE RANGE 1,0 WAS 1,5; 18 WAS 28	12453	TRO	SKB			REELSMART™ DISCO™ METRIC MALE DISCONNECT FULLY INSULATED, EXPANDED NYLON 6,3 X 0,8, TAB SIZE	
00	9/97	TM	WJB	RELEASED	6192	DH	LA				
REV	DATE	BY	CHK	DESCRIPTION	ECN #	PM	APP	DRAWN BY T SMA	CHK'D		SCALE