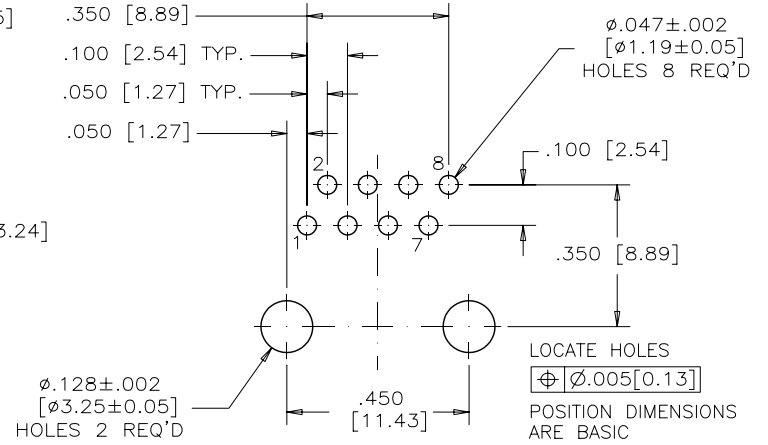
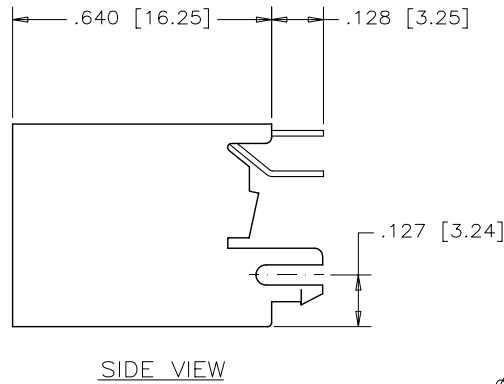
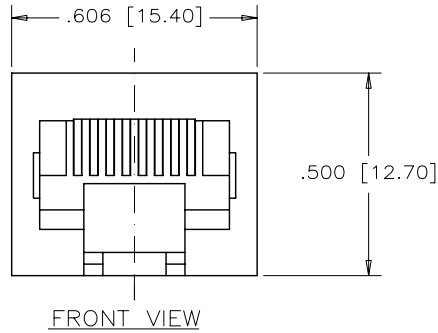


REVISIONS				
SYM	ZONE	ECN, ERN NO.	DATE	APPRD.
A		PROPOSAL	FEB 27,08	L.CHAN



MATERIALS:

PLASTIC HOUSING: HIGH TEMPERATURE THERMOPLASTIC
FLAMMABILITY RATING UL94V-0
COLOR: BLACK

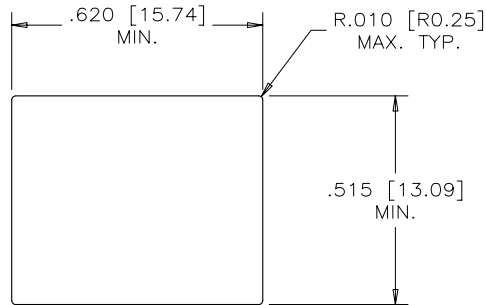
CONTACTS:

PHOSPHOR BRONZE
PLATING: GOLD PLATING REFER TO
PART NUMBER ON MATING SURFACES.
50 μ" [1.27 MICRONS]
NICKEL UNDERPLATE.
100 μ" [2.54 MICRONS]
MATTE-TIN OR GOLD FLASH
ON CONTACT TAILS.

PART NUMBER: RJE06-188-0X10H

GOLD PLATING:

- 1 = 6 μ"
- 2 = 15 μ"
- 3 = 30 μ"
- 4 = 50 μ"



DRAWN HUILAN WANG	DATE FEB 27,08
DESIGNED MT.CHAN	DATE FEB 27,08
CHECKED L.CHAN	DATE FEB 27,08
I. E. APPRD.	
Q. A. APPRD.	
DWG. APPRD.	
ENG. REL. NO.	
REF.	
DIMENSIONS ARE IN INCHES [mm]	CODE ID. NO. 03554

Amphenol Canada Corp.			
TITLE RJE06 SERIES, 8 POSITIONS, 8 CONTACTS, VERTICAL MOUNT, UNSHIELDED, WITHOUT FLANGE-ROHS COMPLIANT			
DWG	DRAWING NO. P-RJE06-188-0X10H	REV. A	
SCALE	WT. -----	SURF. -----	SHEET 1 OF 1

THIS DOCUMENT CONTAINS PROPRIETARY INFORMATION AND SUCH INFORMATION MAY NOT BE DISCLOSED TO OTHERS FOR ANY PURPOSE OR USED FOR MANUFACTURING PURPOSES WITHOUT WRITTEN PERMISSION FROM AMPHENOL CANADA CORP.