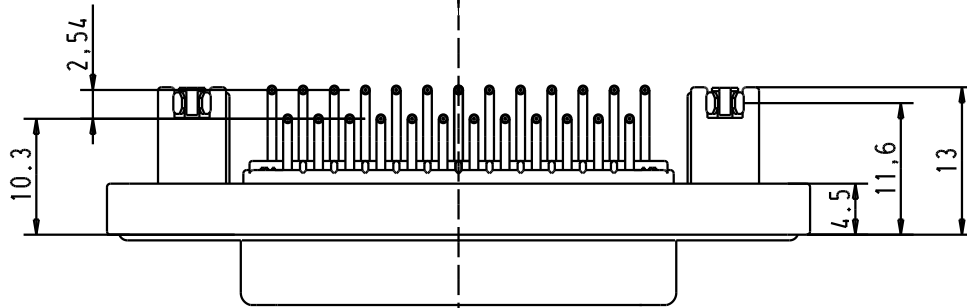
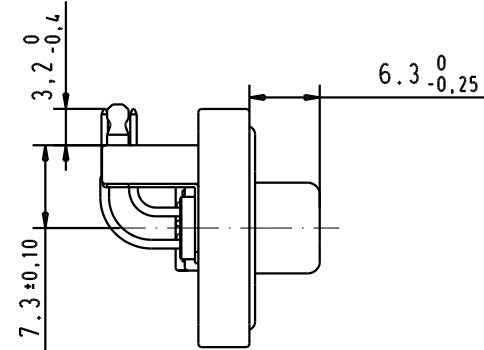
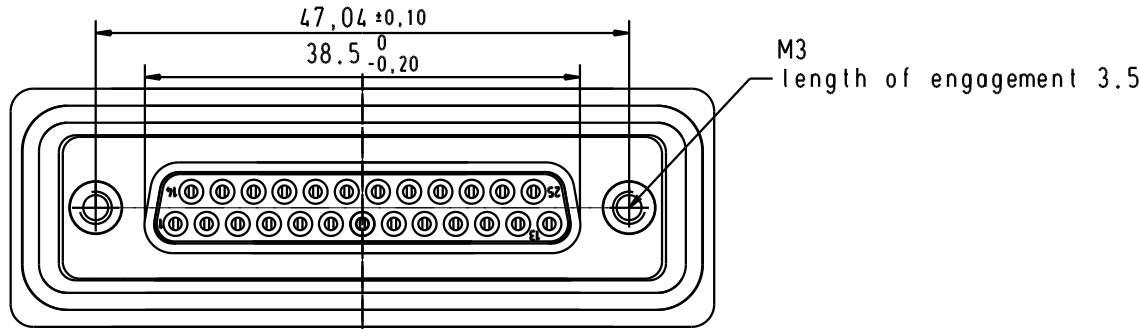
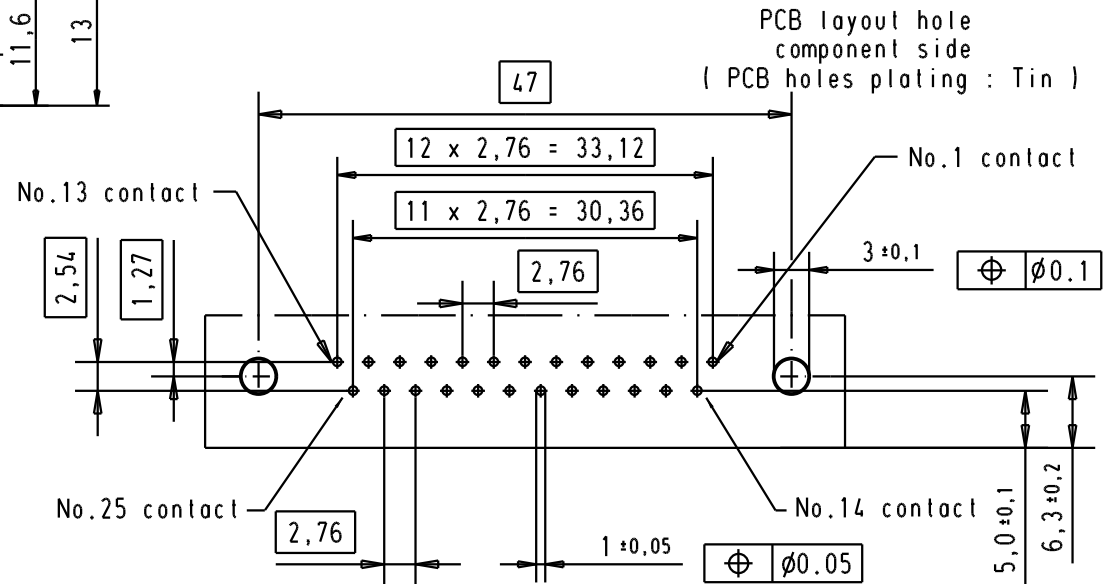
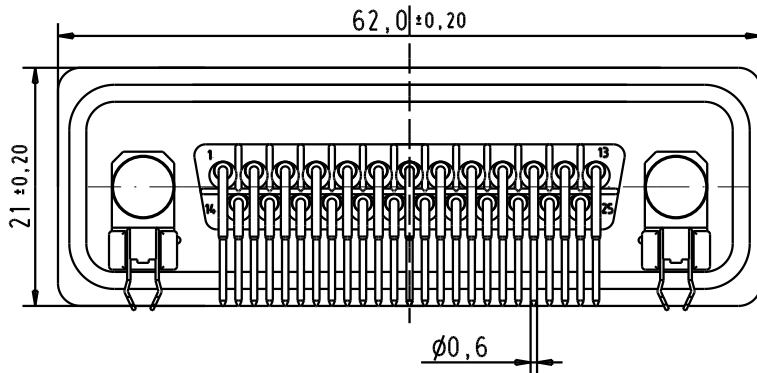


Mating face according to : MIL-C-24308 / DIN 41652 / CECC 75.01-802



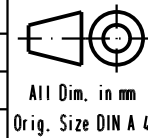
1) Protection standard IP 67 according to IEC 529 / DIN 40050.



PCB layout hole component side (PCB holes plating : Tin)

09 67 525 8758 Au plating 0,76  $\mu$ m mini

	Dat.	Name
Detail.	20/01/04	S.H.
Insp.		
Stand.		



D-SUB IP67 female 25 Poles angled solder pin with bracket and clip for 1.6mm PCB M3 nut

Moßstab/  
Scale

31587	20/01/04	S.H.
Mod.	Dat.	Name

HARTING ELEKTRONIK  
F-95972 Paris



TB 09 67 525 8758

Blatt / Page

Part Number

Performance Level

Sub.