

SMT Power Inductors

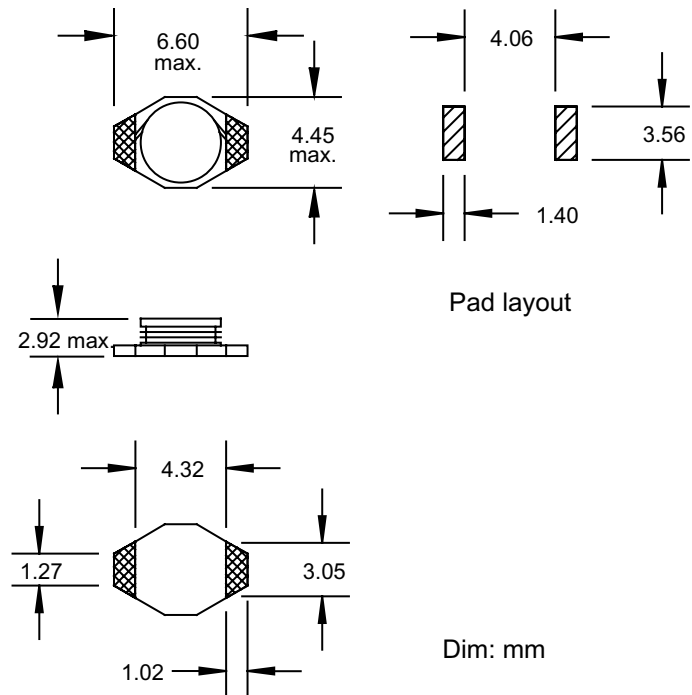
Special Features

- High energy storage capacity
- Low DCR
- Ferrite bobbin core
- Low profile, miniature size
- High heat resistance, ideal for reflow soldering
- High reliability
- Test frequency 100KHz
- Operating temperature -40 to +85°C
- Saturation current to cause 10% inductance drop
- Rms current to cause 15°C temperature rise
- Tape & reel packaged 750/reel

Typical Applications

- Small cell phones
- PDAs
- Pagers
- Flash memory programmers
- Notebook computers
- Battery chargers
- DC-DC converters
- Network cards
- Switching boards
- Industrial electronics
- Entertainment electronic devices

PM1608 Series				
Part Number	L (uH) ± 20%	DCR (Ω) Max.	I _{sat} (A)	I _{rms} (A)
PM1608-1R0M	1.0	0.05	2.90	2.90
PM1608-1R5M	1.5	0.05	2.60	2.80
PM1608-2R2M	2.2	0.07	2.30	2.40
PM1608-3R3M	3.3	0.08	2.00	2.00
PM1608-4R7M	4.7	0.09	1.50	1.50
PM1608-6R8M	6.8	0.13	1.20	1.40
PM1608-100M	10	0.16	1.10	1.10
PM1608-150M	15	0.23	0.90	1.20
PM1608-220M	22	0.37	0.70	0.80
PM1608-330M	33	0.51	0.58	0.60
PM1608-470M	47	0.64	0.50	0.50
PM1608-680M	68	0.86	0.40	0.40
PM1608-101M	100	1.27	0.31	0.30
PM1608-151M	150	2.00	0.27	0.25
PM1608-221M	220	2.65	0.22	0.20
PM1608-331M	330	3.80	0.18	0.16
PM1608-471M	470	5.06	0.16	0.15
PM1608-681M	680	9.20	0.14	0.12
PM1608-102M	1000	13.8	0.10	0.07



J.W. Miller
MAGNETICS

306 E. Alondra Blvd., Gardena, CA 90247-1059 • (310) 515-1720 • FAX (310) 515-1962

www.jwmiller.com