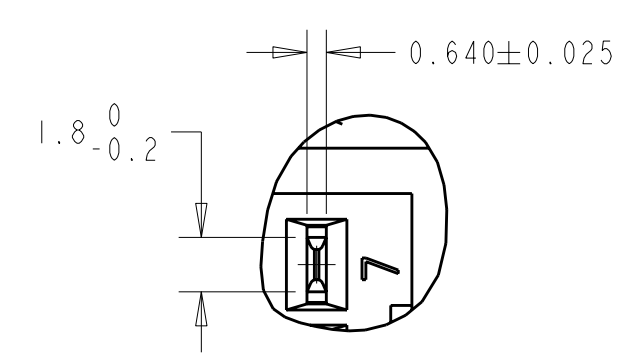
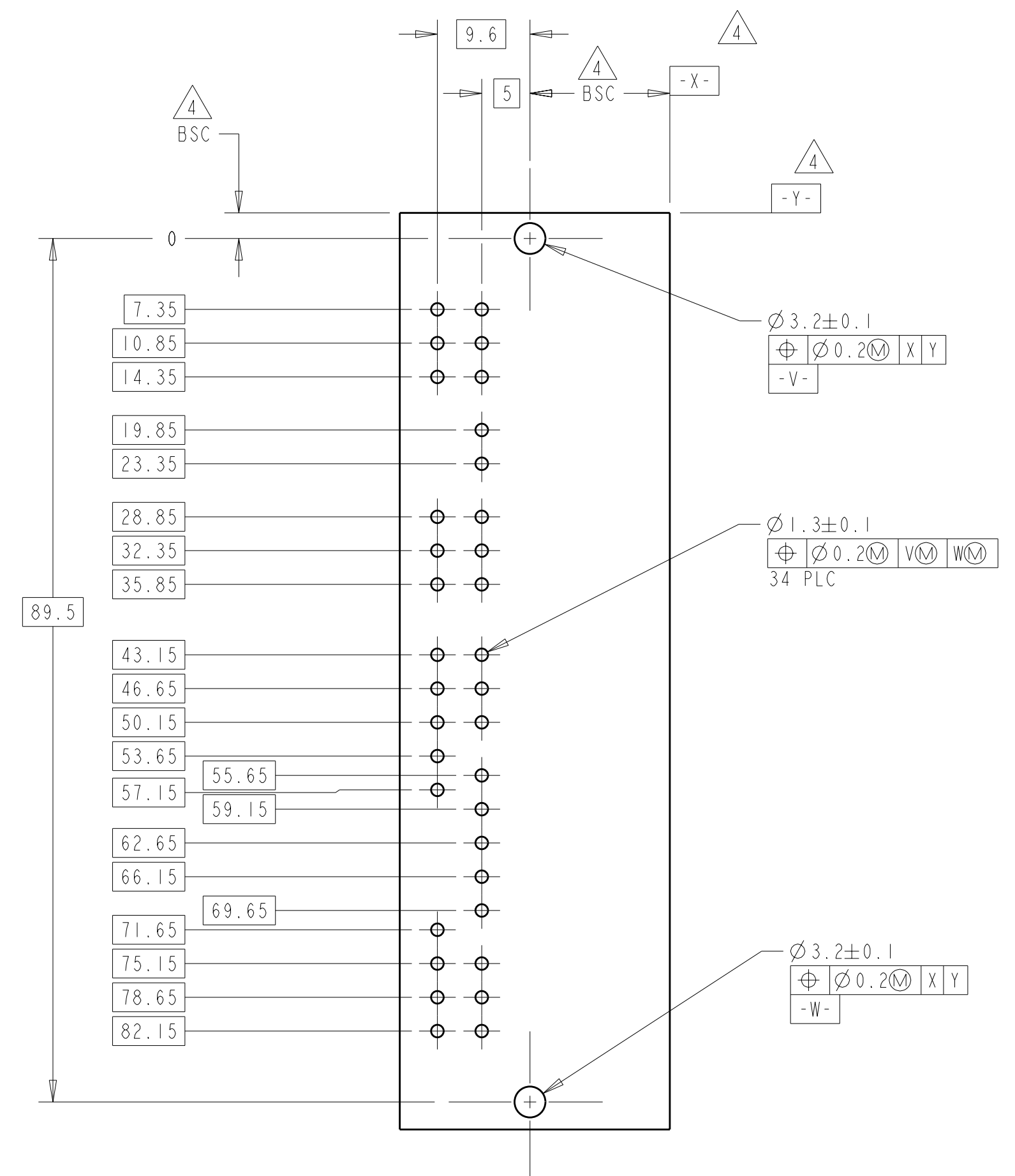
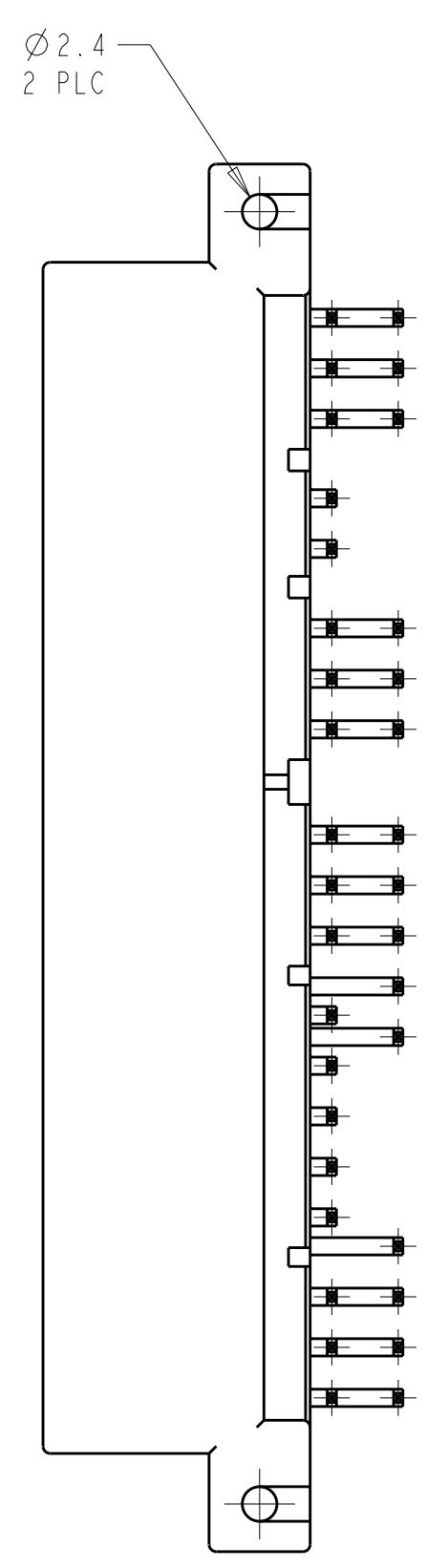
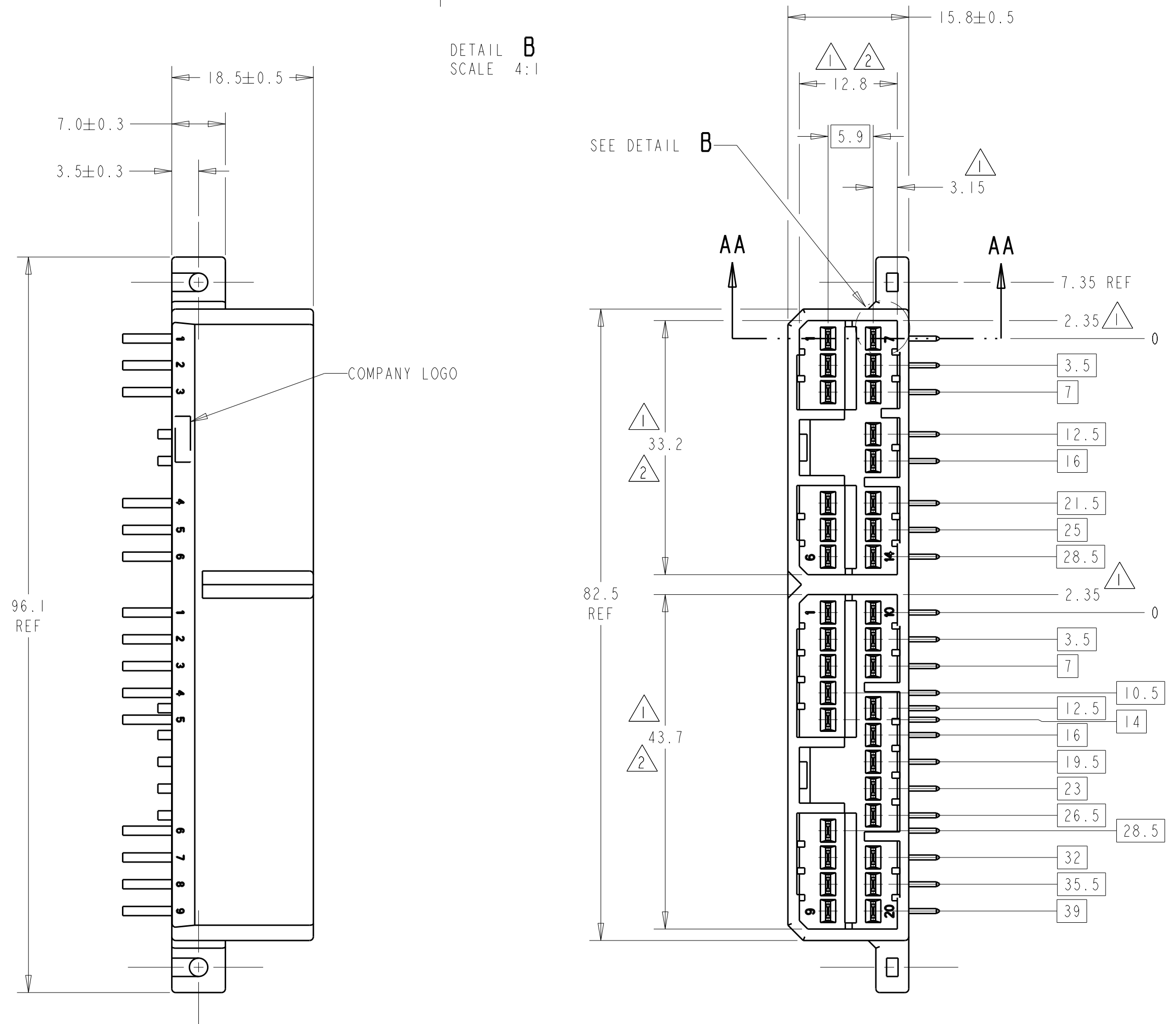
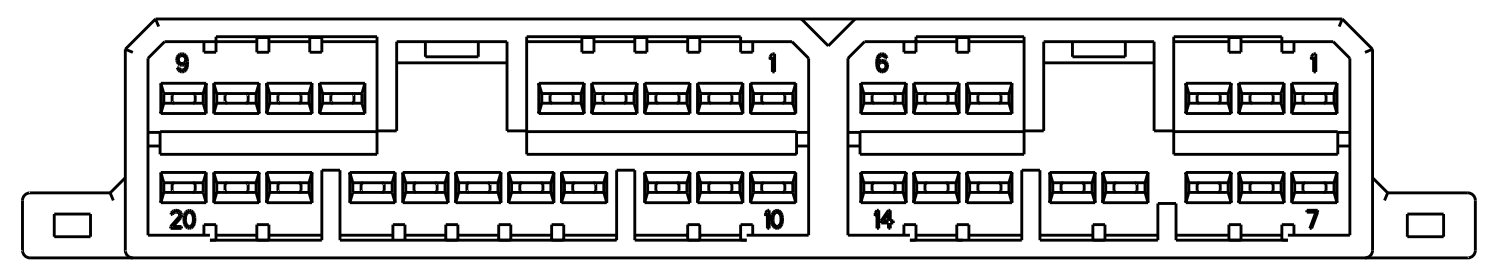


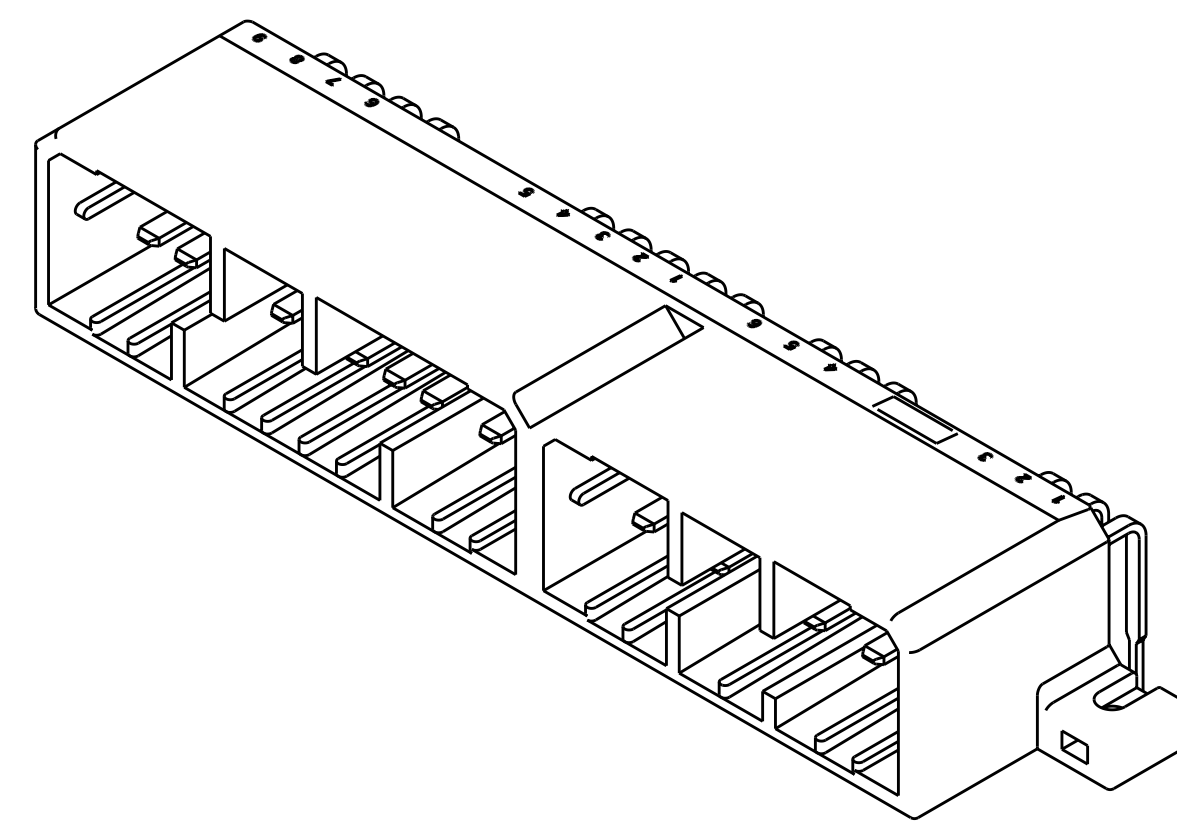
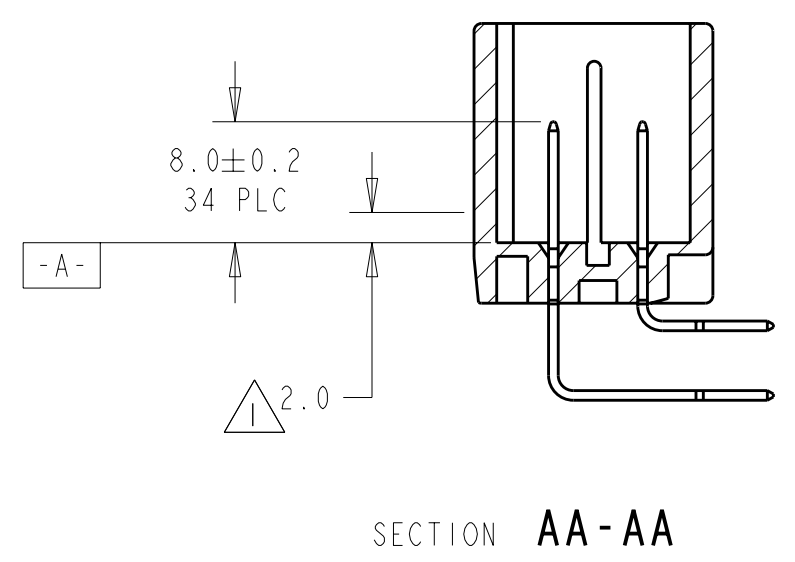
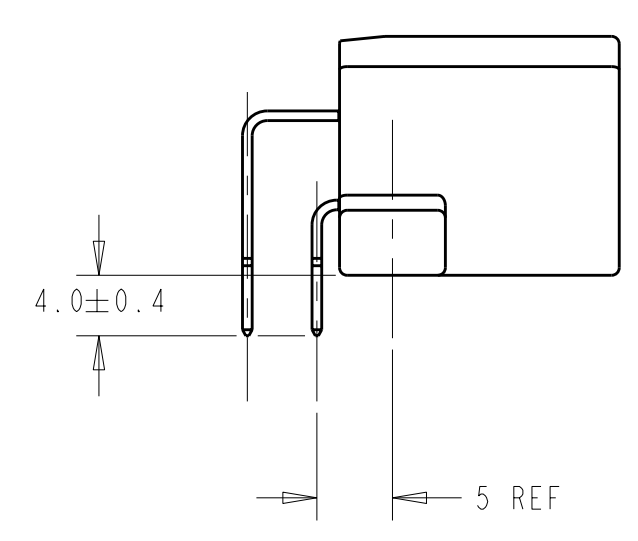
LOC	DIST	REV	DATE	BY	CHK	APPD
FX	00					
		REVISIONS				
		REV PER EC	OK80-0373-02	31DEC2002	RGV	SSA
		REV PER EC	OK80-0139-03	19MAY2003	DJA	SSA
		REV PER ECR	10-008554	21APR2010	VSS	SA



1. DIMENSION MUST BE HELD BETWEEN -A- AND 2.0mm FROM -A-.
2. TO MATE WITH PLUG HOUSING SMOOTHLY.
3. USE M3x6 TAPPING SCREW JIS B1115 OR 1122 (TYPE 2 OR 4) BEFORE SOLDER. RECOMMENDED TORQUE: 0.39Nm MAX.
4. DATUMS AND BASIC DIMENSIONS ESTABLISHED BY CUSTOMER.
5. MATING PLUG PART NUMBERS ARE:
173852 (14 POSITION)
174952 (20 POSITION)
6. CIRCUIT NUMBERS:



P.C. BOARD LAYOUT
 RECOMMENDED BOARD THICKNESS 1.60±0.15mm
 TOLERANCES ±0.1



BRASS	POST-TIN	PBT	WHITE	9-1438309-1
MATERIAL	FINISH	MATERIAL	COLOR	PART NO
CONTACT		HOUSING		
DWN R. VESTAL 07NOV2001		Tyco Electronics Tyco Electronics Harrisburg, PA 17105-3608		
CHK S. ASHLEY 07NOV2001		NAME 34 POSITION CAP HOUSING ASSEMBLY, .070 SERIES, HORIZONTAL, MULTILOCK I/O CONNECTOR		
APVD S. ASHLEY 07NOV2001		PRODUCT SPEC 108-5216		
TOLERANCES UNLESS OTHERWISE SPECIFIED:		APPLICATION SPEC 114-5091		
DIMENSIONS: mm		WEIGHT		
9 PLC ±0.3		SIZE CAGE CODE DRAWING NO RESTRICTED TO		
1 PLC ±0.3		A 00779 C=1438309		
5 PLC ±0.15		SCALE 2:1 SHEET 1 OF 1 REV C2		
4 PLC ±		CUSTOMER DRAWING		
ANGLES ±1°				
FINISH SEE TABLE				